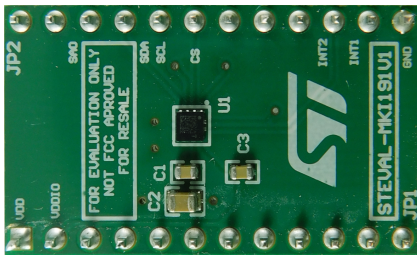


IIS2DLPC adapter board for a standard DIL 24 socket



Features

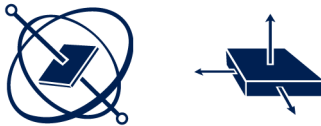
- Complete IIS2DLPC pinout for a standard DIL 24 socket
- Fully compatible with [STEVAL-MKI109V3](#) motherboards
- RoHS compliant

Description

The [STEVAL-MKI191V1](#) is an adapter board designed to facilitate the evaluation of MEMS devices in the [IIS2PLDC](#) product family. The board offers an effective solution for fast system prototyping and device evaluation directly within the user's own application

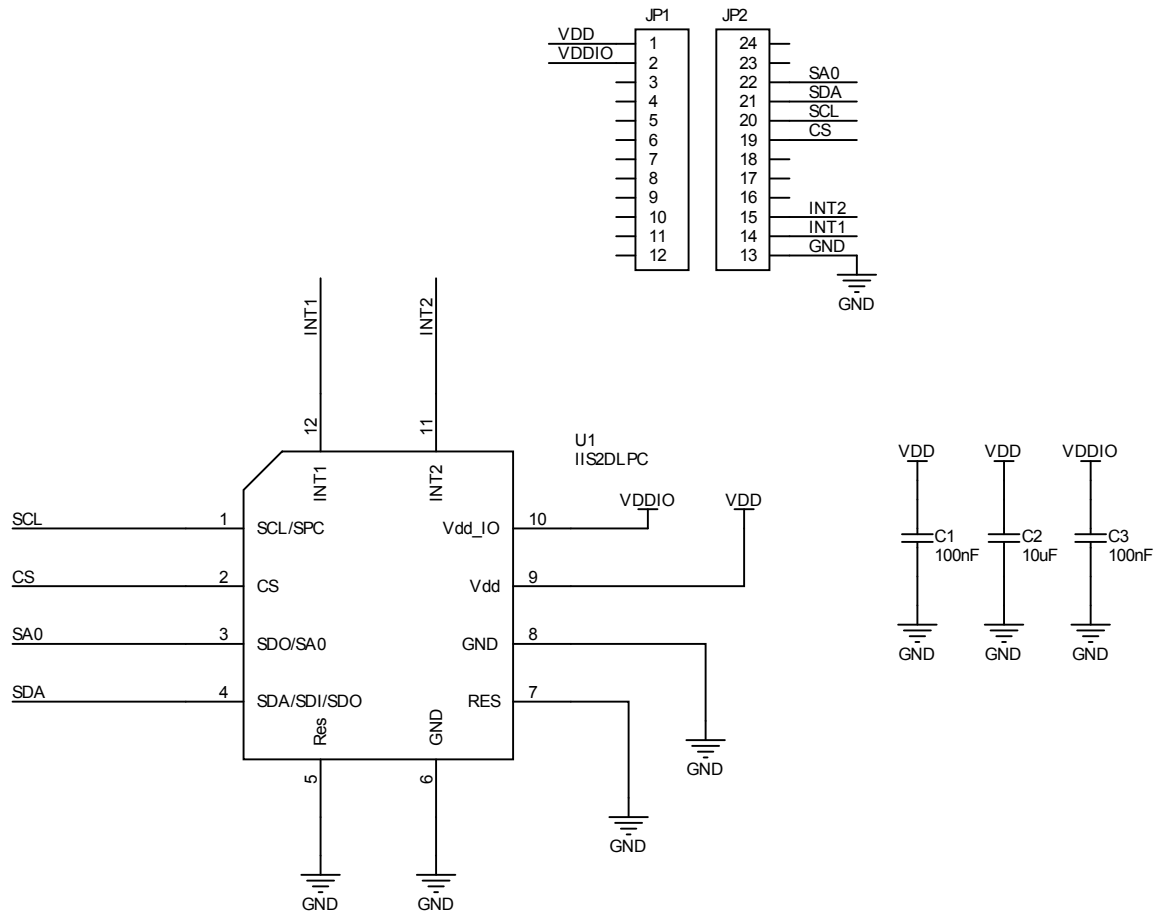
The [STEVAL-MKI191V1](#) can be plugged into a standard DIL 24 socket. The adapter provides the complete IIS2DLPC pin-out and comes ready-to-use with the required decoupling capacitors on the VDD power supply line.

This adapter is supported by the [STEVAL-MKI109V3](#) with high performance 32-bit microcontroller functioning as a bridge between the sensor and a PC, on which it is possible to use the downloadable graphical user interface (Unico GUI), or dedicated software routines for customized applications.



Product summary	
IIS2DLPC adapter board for a standard DIL 24 socket	STEVAL-MKI191V1
MEMS digital output motion sensor: high-performance ultra-low-power 3-axis accelerometer for industrial applications	IIS2DLPC
ST MEMS adapter motherboard based on the STM32F401VET6 compatible with ST MEMS adapters	STEVAL-MKI109V3

1 Schematic

Figure 1. STEVAL-MKI91V1 circuit schematic


Revision history

Table 1. Document revision history

Date	Version	Changes
29-Aug-2018	1	Initial release.