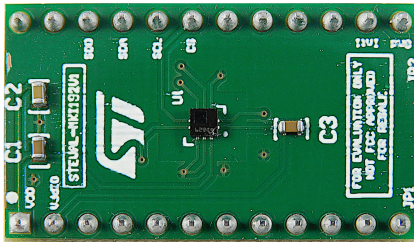


LPS22HH adapter board for a standard DIL24 socket



Features

- Complete LPS22HH pinout for a standard DIL 24 socket
- Fully compatible with STEVAL-MKI109V3 motherboards
- RoHS compliant

Description

The [STEVAL-MKI192V1](#) is an adapter board designed to facilitate the evaluation of MEMS devices in the [LPS22HH](#) product family. The board offers an effective solution for fast system prototyping and device evaluation directly within the user's own application.

The [STEVAL-MKI192V1](#) can be plugged into a standard DIL 24 socket. The adapter provides the complete LPS22HH pin-out and comes ready-to-use with the required decoupling capacitors on the VDD power supply line.

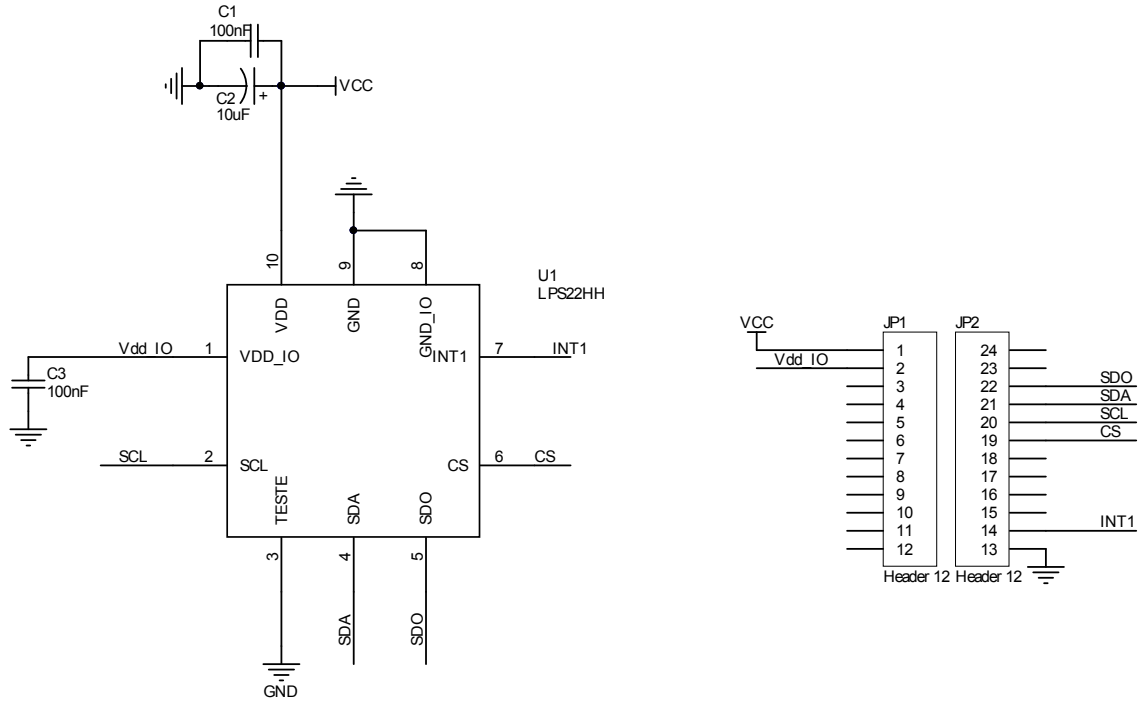
This adapter is supported by the [STEVAL-MKI109V2](#) and [STEVAL-MKI109V3](#) with high performance 32-bit microcontroller functioning as a bridge between the sensor and a PC, on which it is possible to use the downloadable graphical user interface (Unico GUI), or dedicated software routines for customized applications.



Product summary	
LPS22HH adapter board for a standard DIL24 socket	STEVAL-MKI192V1
High-performance MEMS nano pressure sensor: 260-1260 hPa absolute digital output barometer	LPS22HH
ST MEMS adapter motherboard based on the STM32F401VET6 compatible with ST MEMS adapters	STEVAL-MKI109V3
ST MEMS adapters motherboard based on STM32F103, compatible with all ST MEMS adapter boards	STEVAL-MKI109V2

1 Schematics

Figure 1. STEVAL-MKI192V1 circuit schematic



Revision history

Table 1. Document revision history

Date	Version	Changes
29-Aug-2018	1	Initial release.