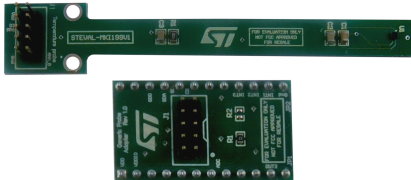


Temperature probe kit based on STLM20



Features

- User friendly [STLM20](#) board
- Complete STLM20 pinout for a standard DIL24 socket
- Fully compatible with [STEVAL-MKI109V3](#) motherboards
- RoHS compliant
- WEEE compliant

Description

The [STEVAL-MKI199V1K](#) evaluation kit consists of a probe with the [STLM20](#) temperature sensor connected via flat cable to the [STEVAL-MKIGIBV1](#) adapter board, so it can interface with the [STEVAL-MKI109V3](#) motherboard.

The device small package dimensions allow it to be mounted on top of a very thin probe, so it can take temperature readings not influenced by heat from other electronic components or boards.

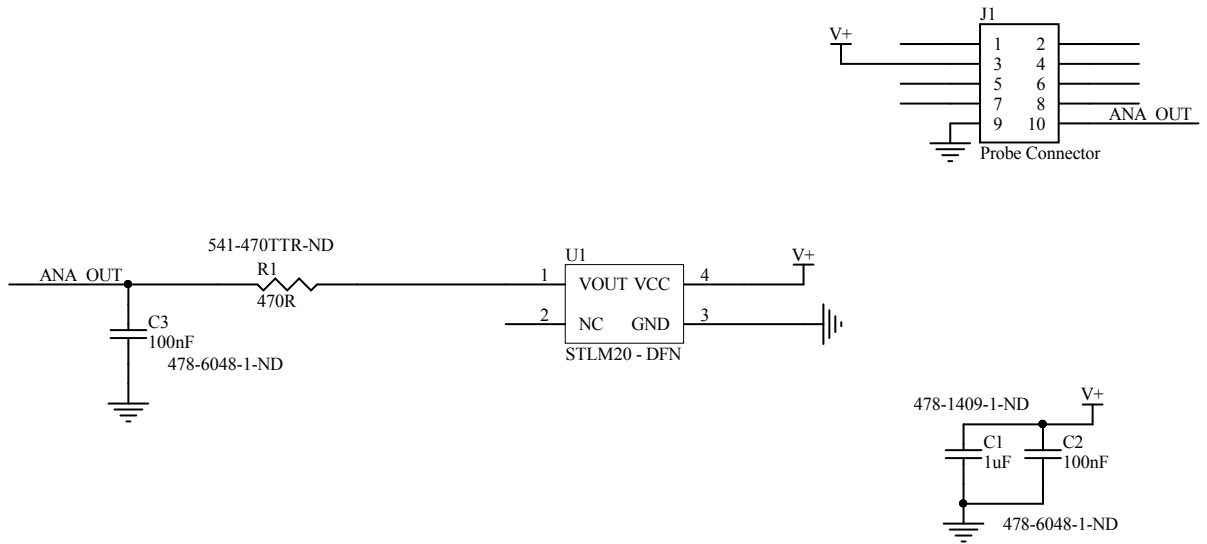
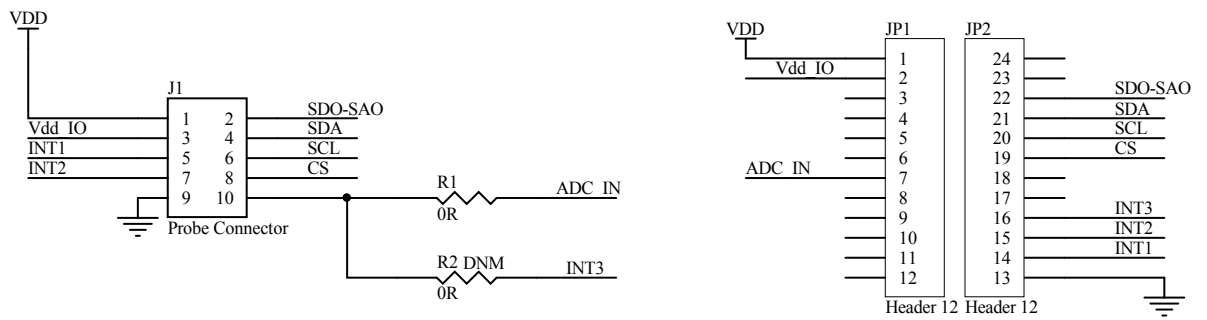
The [STEVAL-MKIGIBV1](#) can be plugged into a standard DIL24 socket.

The kit provides the complete STLM20 pinout and comes ready-to-use with the required decoupling capacitors on the VDD power supply line.

The [STEVAL-MKI109V3](#) motherboards feature a high performance 32-bit microcontroller functioning as a bridge between the sensor and a PC running the free Unico GUI graphical user interface or dedicated software routines for customized applications.

Product summary	
Temperature probe kit based on STLM20	STEVAL-MKI199V1K
Analog temperature sensor, ultra-low current 2.4 V, high precision	STLM20
ST MEMS adapter motherboard based on the STM32F401VET6 compatible with ST MEMS adapters	STEVAL-MKI09V3

1 Schematic diagrams

Figure 1. STEVAL-MKI199V1 board schematic

Figure 2. STEVAL-MKIGIBV1 board schematic


Revision history

Table 1. Document revision history

Date	Version	Changes
21-Dec-2018	1	Initial release.