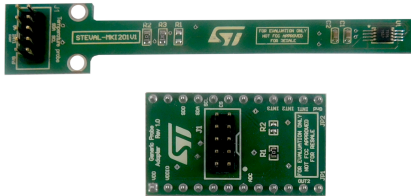


## Temperature probe kit based on STTS75



### Features

- User friendly [STTS75](#) board
- Complete STTS75 pinout for a standard DIL24 socket
- Fully compatible with [STEVAL-MKI109V3](#) motherboards
- RoHS compliant
- WEEE compliant

### Description

The [STEVAL-MKI201V1K](#) evaluation kit consists of a probe with the [STTS75](#) temperature sensor connected via flat cable to the [STEVAL-MKIGIBV1](#) adapter board, so it can interface with the [STEVAL-MKI109V3](#) motherboard.

The device small package dimensions allow it to be mounted on top of a very thin probe, so it can take temperature readings not influenced by heat from other electronic components or boards.

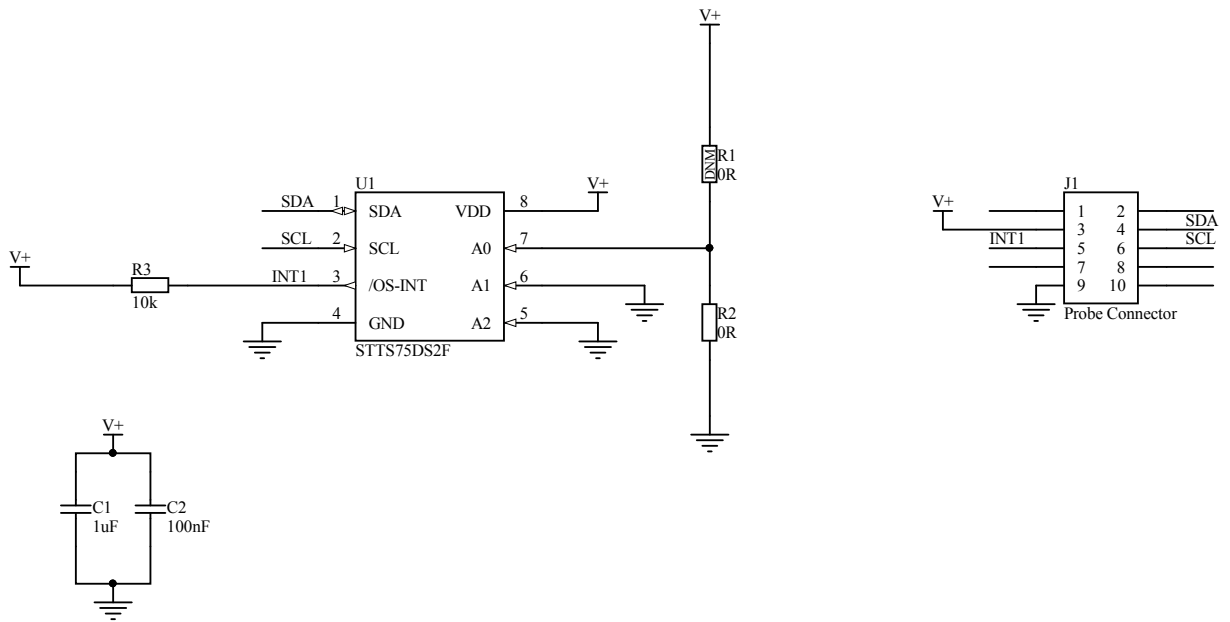
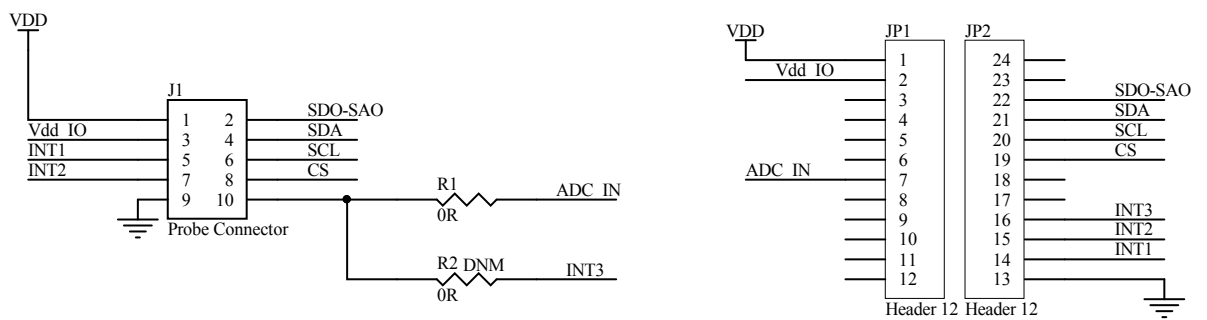
The [STEVAL-MKIGIBV1](#) can be plugged into a standard DIL24 socket.

The kit provides the complete STTS75 pinout and comes ready-to-use with the required decoupling capacitors on the VDD power supply line.

The [STEVAL-MKI109V3](#) motherboards feature a high performance 32-bit microcontroller functioning as a bridge between the sensor and a PC running the free Unico GUI graphical user interface or dedicated software routines for customized applications.

Product summary	
Temperature probe kit based on STTS75	<a href="#">STEVAL-MKI201V1K</a>
Digital temperature sensor and thermal watchdog, delta-sigma analog-to-digital (ADC) converter, I2C interface	<a href="#">STTS75</a>
ST MEMS adapter motherboard based on the STM32F401VET6 compatible with ST MEMS adapters	<a href="#">STEVAL-MKI109V3</a>

# 1 Schematic diagrams

**Figure 1. STEVAL-MKI201V1 board schematic**

**Figure 2. STEVAL-MKIGIBV1 board schematic**


## Revision history

**Table 1. Document revision history**

Date	Version	Changes
21-Dec-2018	1	Initial release.