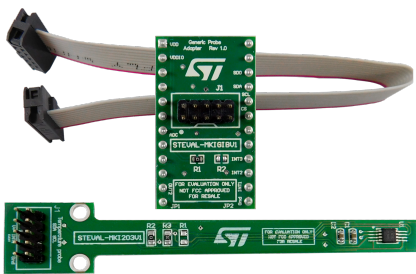


Temperature probe kit based on STCN75



Features

- User friendly STCN75 board
- Complete STCN75 pinout for a standard DIL 24 socket
- Fully compatible with and STEVAL-MKI109V3 motherboards
- RoHS compliant
- WEEE compliant

Description

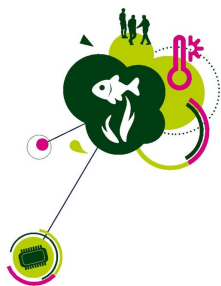
The STEVAL-MKI203V1K evaluation kit consists of a probe with the STCN75 temperature sensor connected via flat cable to the STEVAL-MKIGIBV1 adapter board, so it can interface with the STEVAL-MKI109V3 motherboard.

The device small package dimensions allow it to be mounted on top of a very thin probe, so it can take temperature readings not influenced by heat from other electronic components or boards.

The STEVAL-MKIGIBV1 can be plugged into a standard DIL24 socket.

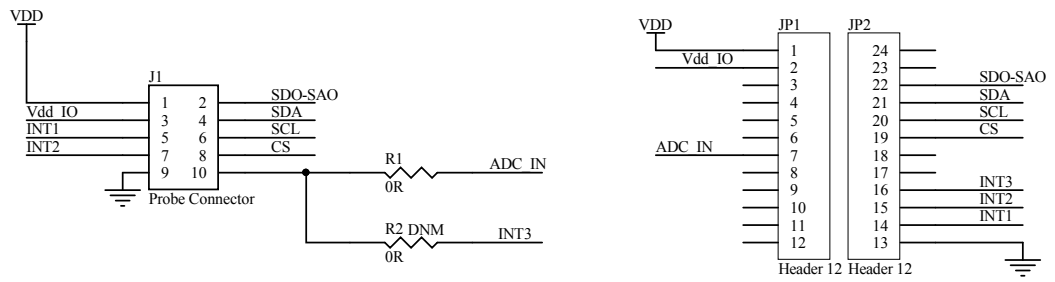
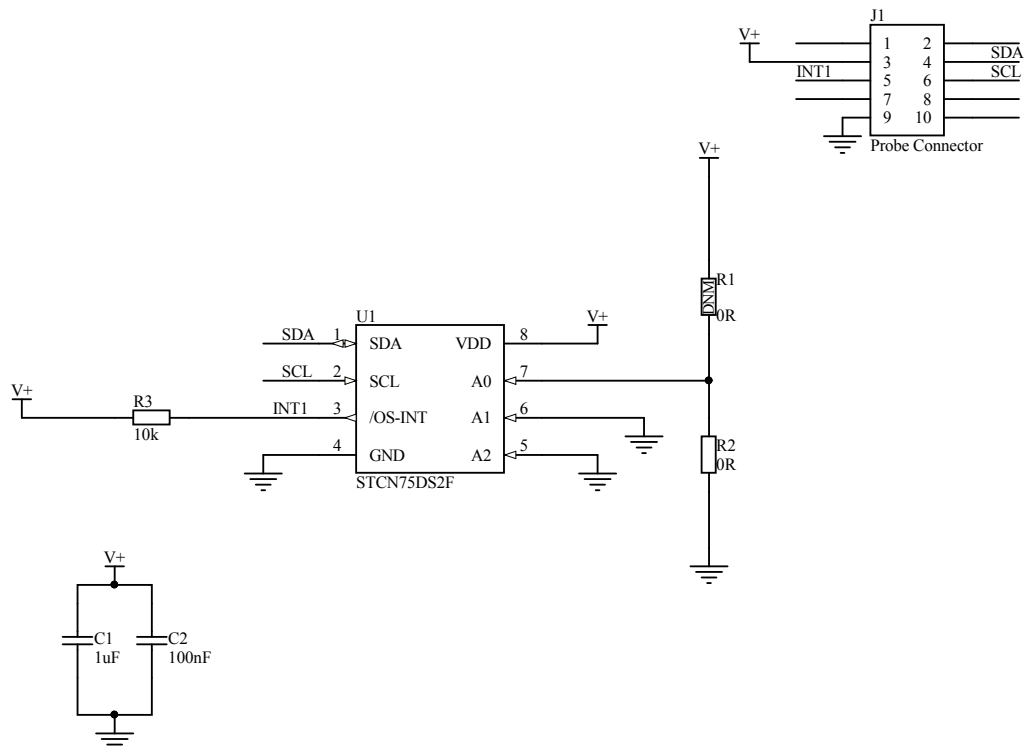
The kit provides the complete STCN75 pinout and comes ready-to-use with the required decoupling capacitors on the VDD power supply line.

The STEVAL-MKI109V3 motherboards feature a high performance 32-bit microcontroller functioning as a bridge between the sensor and a PC running the free Unico GUI graphical user interface or dedicated software routines for customized applications.



Product summary	
Temperature probe kit based on STCN75	STEVAL-MKI203V1K
Digital temperature sensor IC, thermal watchdog, high-precision	STCN75
ST MEMS adapter motherboard based on the STM32F401VET6 compatible with ST MEMS adapters	STEVAL-MKI09V3

1 Schematic diagrams

Figure 1. STEVAL-MKIGIBV1 circuit schematic

Figure 2. STEVAL-MKI203V1K board schematic


Revision history

Table 1. Document revision history

Date	Version	Changes
22-Feb-2019	1	Initial release.