

LPS33W adapter board for a standard DIL24 socket



Features

- Complete LPS33W pinout for a standard DIL 24 socket
- Fully compatible with and STEVAL-MKI109V3 motherboards
- RoHS compliant
- WEEE compliant

Description

The STEVAL-MKI205V1 is an adapter board designed to facilitate the evaluation of MEMS devices in the LPS33W product family. The board offers an effective solution for fast system prototyping and device evaluation directly within the user's own application.

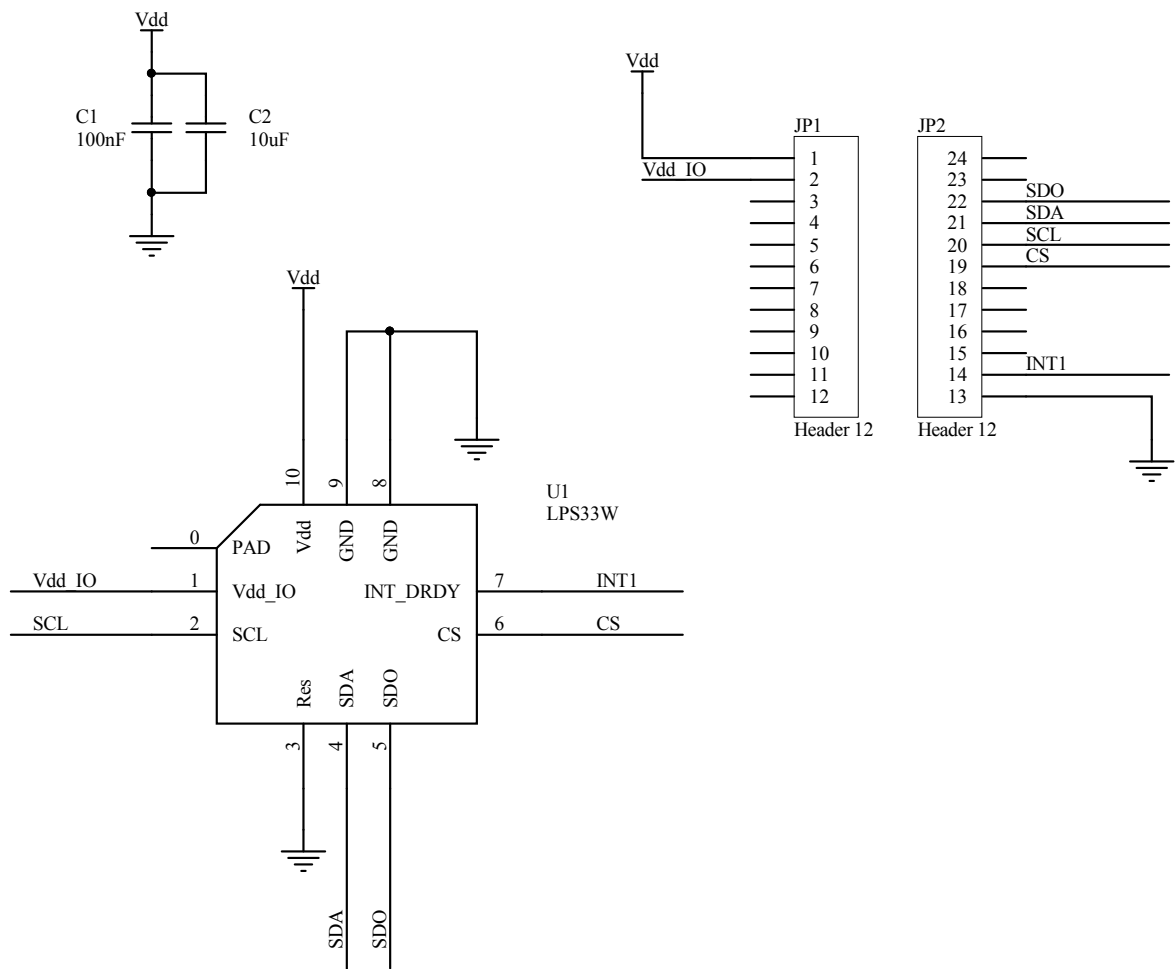
The STEVAL-MKI205V1 can be plugged into a standard DIL 24 socket. The adapter provides the complete LPS33W pin-out and comes ready-to-use with the required decoupling capacitors on the VDD power supply line.

This adapter is supported by the [STEVAL-MKI109V3](#) with high performance 32-bit microcontroller functioning as a bridge between the sensor and a PC, on which it is possible to use the downloadable graphical user interface (Unico GUI), or dedicated software routines for customized applications.

Product summary

LPS33W adapter board for a standard DIL24 socket	STEVAL-MKI205V1
MEMS pressure sensor: 260-1260 hPa absolute digital output barometer with potted gel package	LPS33W
ST MEMS adapter motherboard based on the STM32F401VET6 compatible with ST MEMS adapters	STEVAL-MKI109V3

1 Schematic diagrams

Figure 1. STEVAL-MKI205V1 board schematics


Revision history

Table 1. Document revision history

Date	Version	Changes
22-Feb-2019	1	Initial release.