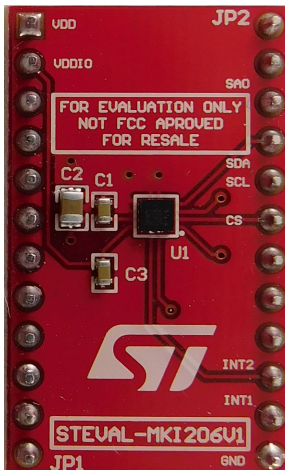


AIS2DW12 adapter board for a standard DIL 24 socket



Features

- Complete AIS2DW12 pinout for a standard DIL 24 socket
- Fully compatible with STEVAL-MKI109V3 motherboard
- RoHS compliant
- WEEE compliant

Description

The STEVAL-MKI206V1 adapter board has been designed to facilitate the evaluation of the AIS2DW12 MEMS device allowing fast system prototyping and direct device evaluation within your own application.

The STEVAL-MKI206V1 can be plugged to a standard DIL 24 socket.

It provides the complete AIS2DW12 pinout and embeds the required decoupling capacitors on the VDD power supply line.

The adapter is supported by the STEVAL-MKI109V3 motherboard which includes a high performance 32-bit microcontroller functioning as a bridge between the sensor and a PC.

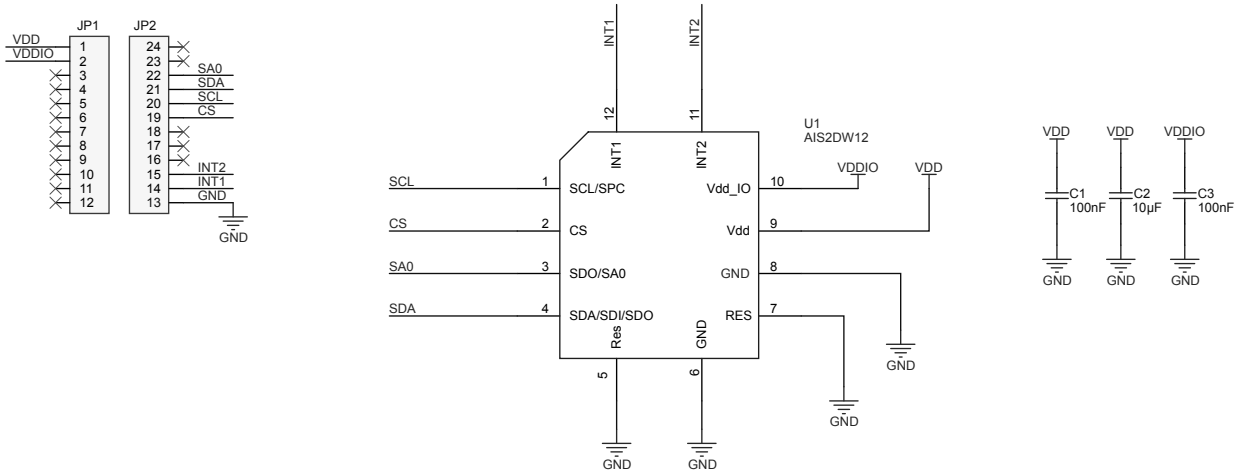
You can use the Unico GUI graphical user interface downloadable from www.st.com (STSW-MKI109L for Linux, STSW-MKI109M for Mac OSX or STSW-MKI109W for Windows) or dedicated software routines for customized applications.

Product summary

AIS2DW12 adapter board for a standard DIL 24 socket	STEVAL-MKI206V1
Ultra-low-power 3-axis accelerometer for automotive applications	AIS2DW12
ST MEMS adapter motherboard based on STM32F401VE compatible ST MEMS adapters	STEVAL-MKI109V3

1 Schematic diagrams

Figure 1. STEVAL-MKI206V1 circuit schematic



Revision history

Table 1. Document revision history

Date	Version	Changes
29-Jul-2019	1	Initial release.