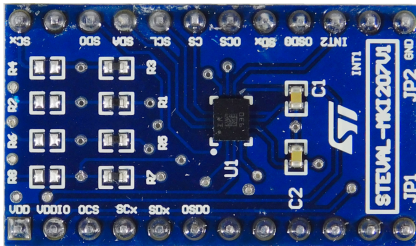


ISM330DHCX adapter board for a standard DIL24 socket



Features

- Complete ISM330DHCX pinout for a standard DIL 24 socket
- Fully compatible with STEVAL-MKI109V3 motherboards
- RoHS compliant
- WEEE compliant

Description

The [STEVAL-MKI207V1](#) is an adapter board designed to facilitate the evaluation of MEMS devices in the ISM330DHCX product family. The board offers an effective solution for fast system prototyping and device evaluation directly within the user's own application.

The STEVAL-MKI207V1 can be plugged into a standard DIL 24 socket. The adapter provides the complete [ISM330DHCX](#) pin-out and comes ready-to-use with the required decoupling capacitors on the VDD power supply line.

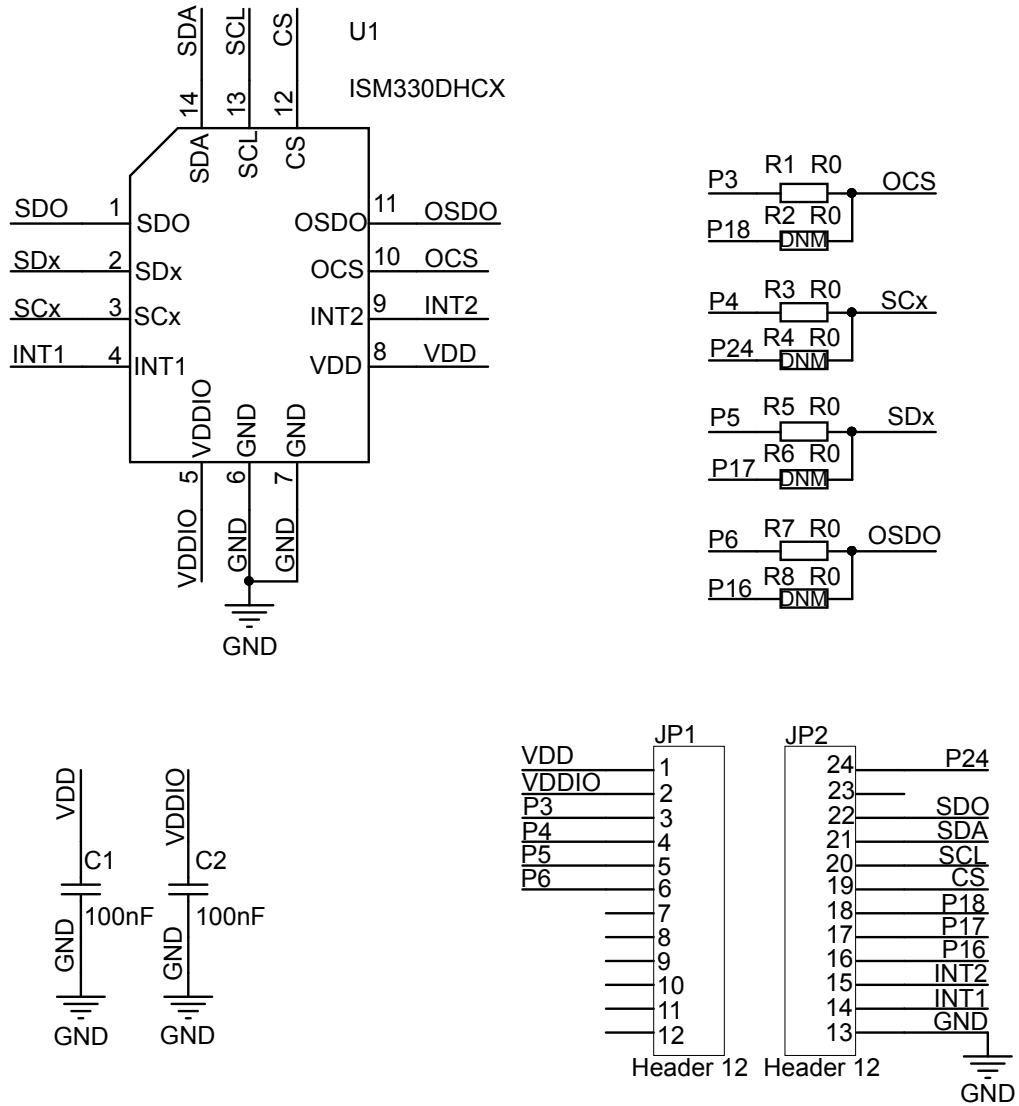
This adapter is supported by the [STEVAL-MKI109V3](#) with high performance 32-bit microcontroller functioning as a bridge between the sensor and a PC, on which it is possible to use the downloadable graphical user interface (Unico GUI), or dedicated software routines for customized applications.



Product summary	
ISM330DHCX adapter board for a standard DIL24 socket	STEVAL-MKI207V1
3D Accelerometer + 3D Gyro iNEMO Inertial measurement unit (IMU) with machine learning core	ISM330DHCX
ST MEMS adapter motherboard based on STM32F401VE compatible ST MEMS adapters	STEVAL-MKI109V3

1 Schematic diagrams

Figure 1. STEVAL-MKI207V1 board schematic



Revision history

Table 1. Document revision history

Date	Version	Changes
04-Oct-2019	1	Initial release.