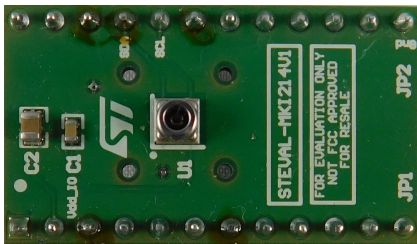


LPS33K adapter board for a standard DIL24 socket



Features

- Complete LPS33K pinout for a standard DIL 24 socket
- Fully compatible with STEVAL-MKI109V3 motherboards
- RoHS compliant

Description

The **STEVAL-MKI214V1** is an adapter board designed to facilitate the evaluation of MEMS devices in the **LPS33K** product family. The board offers an effective solution for fast system prototyping and device evaluation directly within the user's own application.

The **STEVAL-MKI214V1** can be plugged into a standard DIL 24 socket. The adapter provides the complete LPS33K pin-out and comes ready-to-use with the required decoupling capacitors on the VDD power supply line.

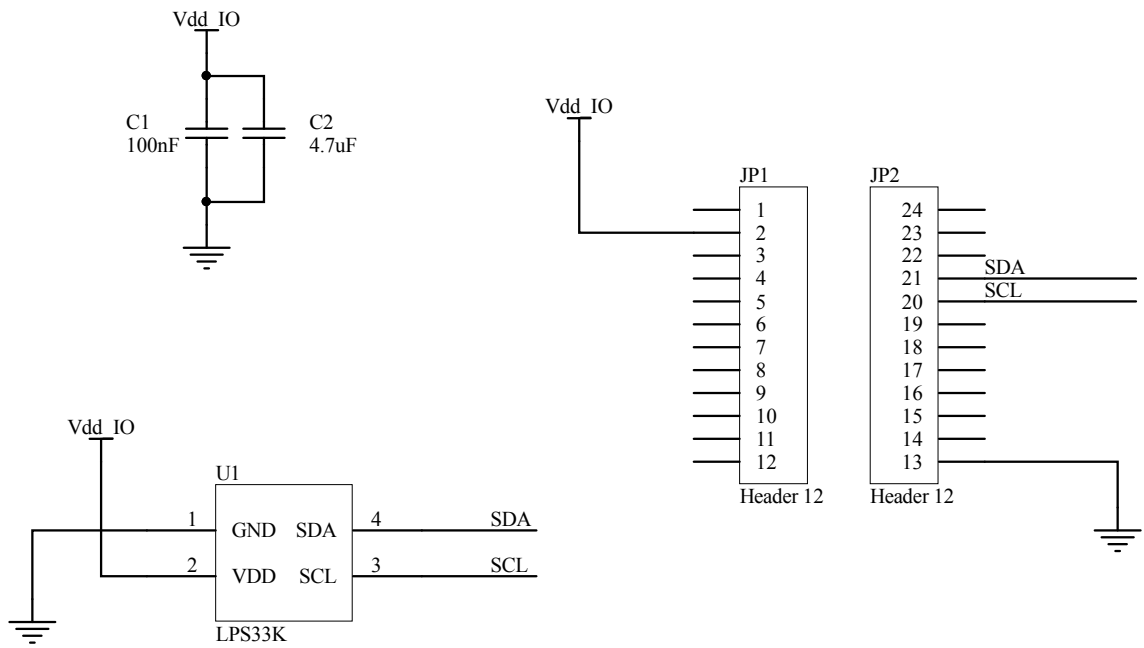
This adapter is supported by the **STEVAL-MKI109V3** motherboard with high performance 32-bit microcontroller functioning as a bridge between the sensor and a PC, on which it is possible to use the downloadable graphical user interface (Unico GUI), or dedicated software routines for customized applications.

The adapter board can be also plugged into following boards: **X-NUCLEO-IKS01A2**, **X-NUCLEO-IKS01A1** and **X-NUCLEO-IKS01A3**.

Product summary	
LPS33W adapter board for a standard DIL24 socket	STEVAL-MKI214V1
MEMS pressure sensor: 300-1200 hPa absolute digital output barometer with potted gel package	LPS33K
ST MEMS adapter motherboard based on STM32F401VE compatible ST MEMS adapters	STEVAL-MKI109V3

1 Schematic diagrams

Figure 1. STEVAL-MKI214V1 board schematic



Revision history

Table 1. Document revision history

Date	Version	Changes
14-Jul-2020	1	Initial release.
20-Jul-2020	2	Updated core product.
23-Jul-2020	3	Updated cover image.