

Digital inclinometer kit based on IIS3DHHC



Features

- User friendly IIS3DHHC board
- Complete IIS3DHHC pinout for a standard DIL 24 socket
- Fully compatible with STEVAL-MKI109V3 motherboard
- Double-sided adhesives included for easy mounting on equipment to be measured
- RoHS and WEEE compliant

Description

The STEVAL-MKI216V1K evaluation board has an embedded IIS3DHHC 3D accelerometer sensor, which is connected via cable to a simple adapter board (STEVAL-MKIGIBV5) to render it compatible with STEVAL-MKI109V3 motherboards.

The sensor is soldered precisely in the center of the board and double-sided adhesives are provided to allow users to conveniently mount the board on equipment destined for vibration analysis. Alternatively, you can mount the board using the holes located in each corner of the PCB.

The STEVAL-MKIGIBV5 can be plugged into a standard DIL 24 socket. The kit provides the complete IIS3DHHC pin-out and comes ready-to-use with the required decoupling capacitors on the VDD power supply line.

The STEVAL-MKI109V3 motherboards feature a high performance 32-bit microcontroller functioning as a bridge between the sensor and a PC running the free Unico GUI graphical user interface or dedicated software routines for customized applications.

Product summary

Digital inclinometer kit based on IIS3DHHC	STEVAL-MKI216V1K
high resolution, high stability 3-axis digital accelerometer for industrial applications	IIS3DHHC
ST MEMS adapter motherboard based on STM32F401VE compatible ST MEMS adapters	STEVAL-MKI109V3
Application	IoT for Smart Things

1 Schematic diagrams

Figure 1. STEVAL-MKIGIBV5 board schematics

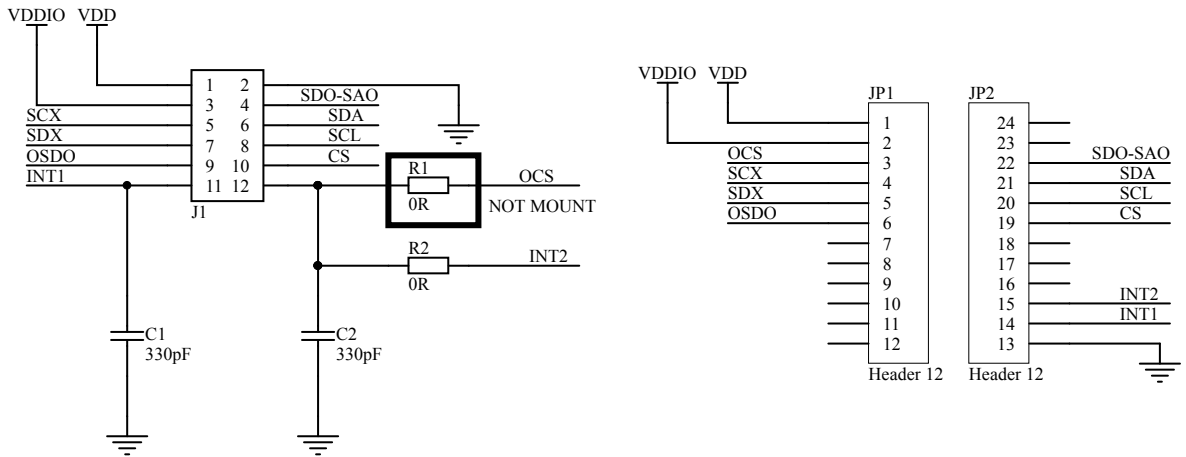
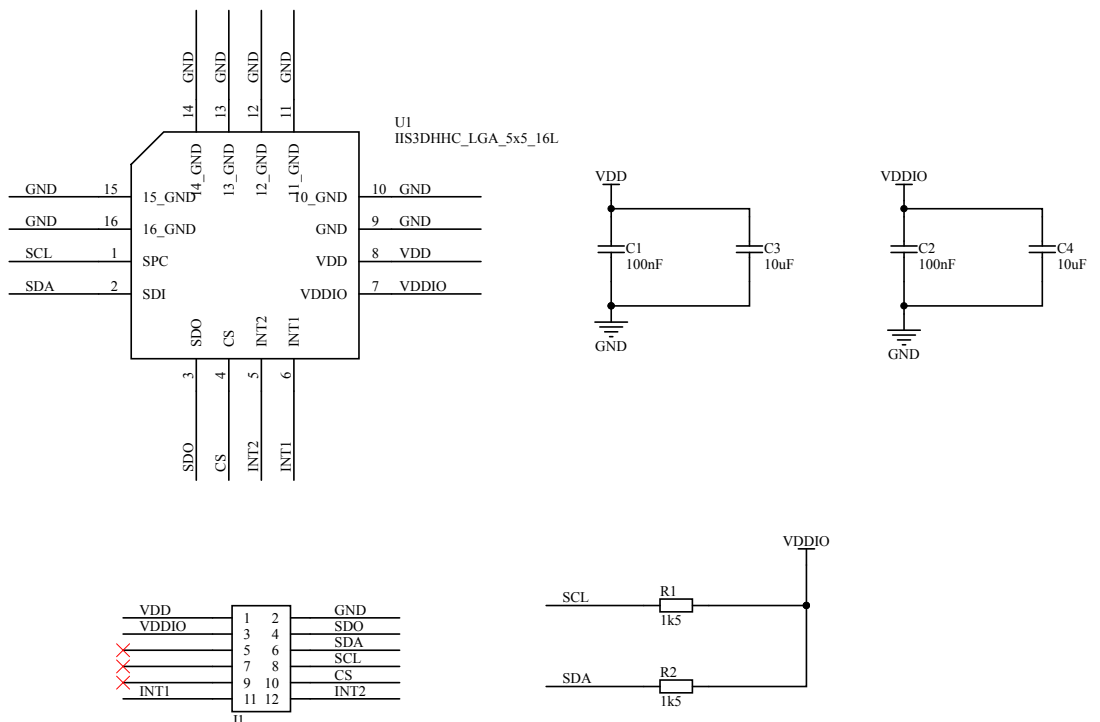


Figure 2. STEVAL-MKI216V1K board schematics



Revision history

Table 1. Document revision history

Date	Version	Changes
12-Nov-2020	1	Initial release.