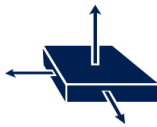


## AIS2IH adapter board for a standard DIL 24 socket



### Features

- Complete AIS2IH pinout for a standard DIL 24 socket
- Fully compatible with the STEVAL-MKI109V3 motherboard
- RoHS compliant

### Description

The [STEVAL-MKI218V1](#) is an adapter board designed to facilitate the evaluation of MEMS devices in the [AIS2IH](#) product family. The board offers an effective solution for fast system prototyping and device evaluation directly within the user's own application.

The [STEVAL-MKI218V1](#) can be plugged into a standard DIL 24 socket. The adapter provides the complete AIS2IH pin-out and comes ready-to-use with the required decoupling capacitors on the VDD power supply line.

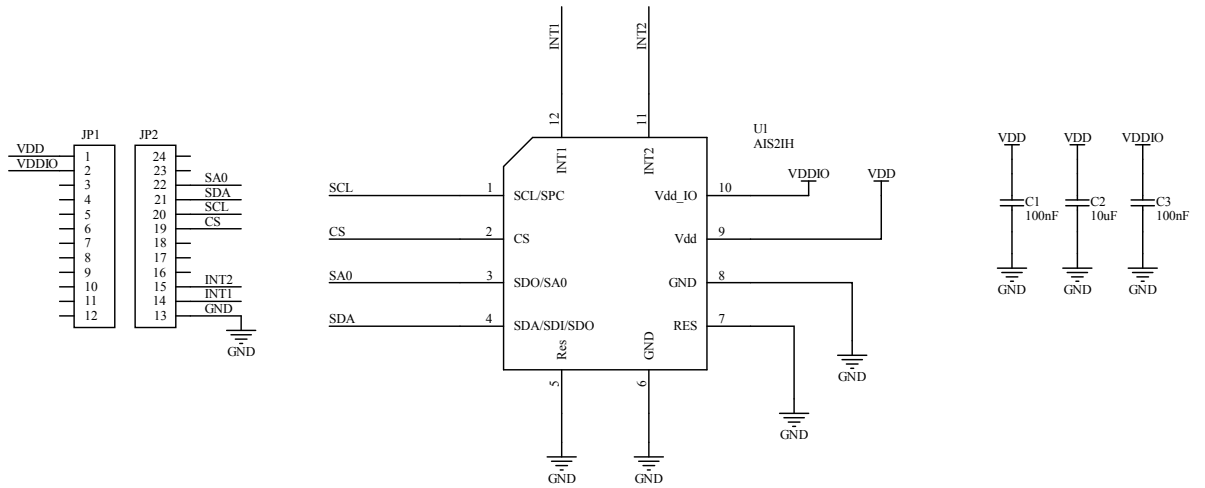
This adapter is supported by the [STEVAL-MKI109V3](#) motherboard with high performance 32-bit microcontroller functioning as a bridge between the sensor and a PC, on which it is possible to use the downloadable graphical user interface (Unico GUI), or dedicated software routines for customized applications.

#### Product summary

AIS2IH adapter board for a standard DIL 24 socket	<a href="#">STEVAL-MKI218V1</a>
MEMS digital output motion sensor: high-performance 3-axis accelerometer for automobile applications	<a href="#">AIS2IH</a>
ST MEMS adapter motherboard based on STM32F401VE compatible ST MEMS adapters	<a href="#">STEVAL-MKI109V3</a>

# 1 Schematic diagrams

Figure 1. STEVAL-MKI218V1 board schematics



## Revision history

**Table 1. Document revision history**

Date	Version	Changes
09-Nov-2020	1	Initial release.