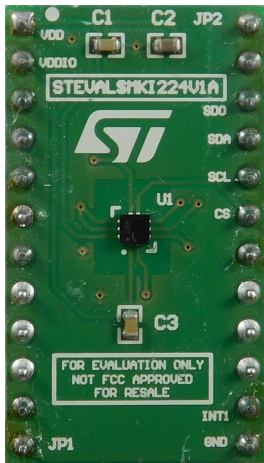


LPS22DF adapter board for a standard DIL24 socket



Features

- Complete LPS22DF pinout for a standard DIL24 socket
- Fully compatible with the STEVAL-MKI109V3 motherboards
- RoHS compliant

Description

The STEVAL-MKI224V1 is an adapter board designed to facilitate the evaluation of MEMS devices in the LPS22DF product family. The board offers an effective solution for fast system prototyping and device evaluation directly within the user's own application.

The STEVAL-MKI224V1 can be plugged into a standard DIL24 socket. The adapter provides the complete LPS22DF pinout and comes ready-to-use with the required decoupling capacitors on the VDD power supply line.

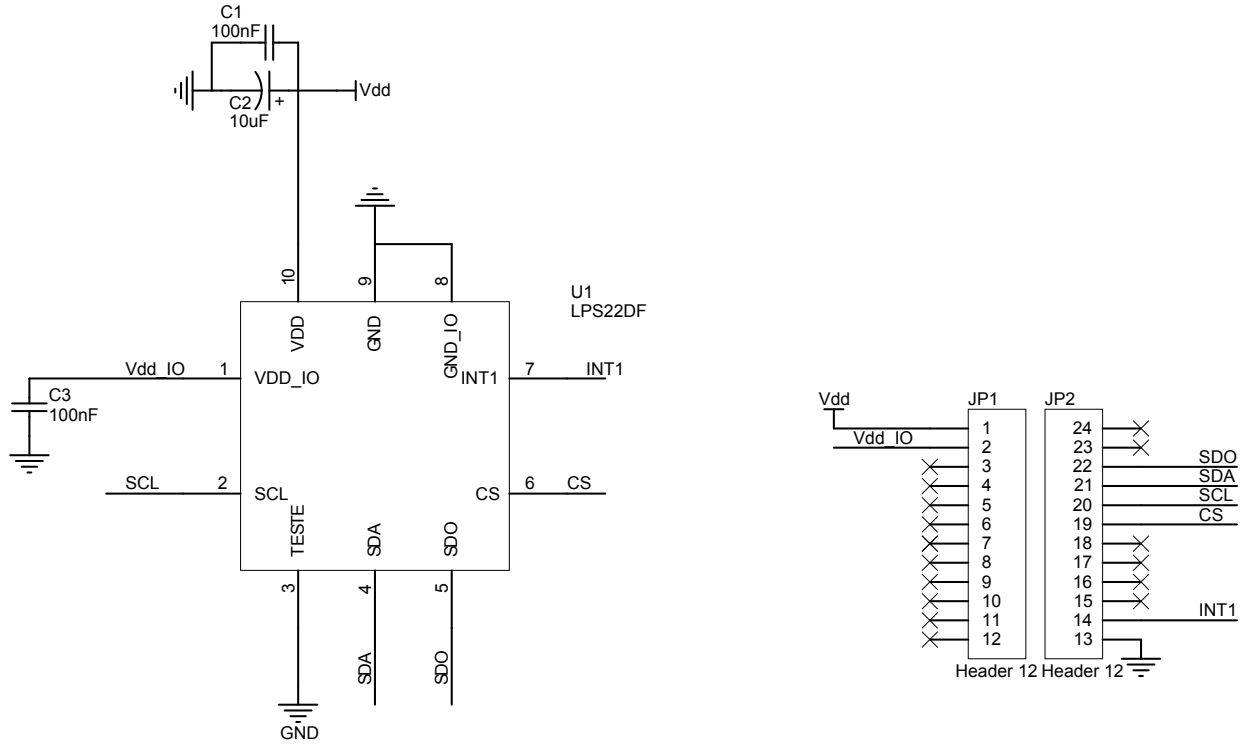
The STEVAL-MKI109V3 motherboards support this adapter. They include a high-performance 32-bit microcontroller functioning as a bridge between the sensor and a PC. You can use the downloadable graphical user interface (Unico-GUI) or dedicated software routines for customized applications.

You can also plug a STEVAL-MKI224V1 board onto an X-NUCLEO-IKS01A3 expansion board using Unicleo-GUI.

Product summary	
LPS22DF adapter board for a standard DIL24 socket	STEVAL-MKI224V1
Low-power and high-precision MEMS nano pressure sensor: 260-1260 hPa absolute digital output barometer	LPS22DF
MEMS adapter motherboard based on the STM32F401VE	STEVAL-MKI109V3
Motion MEMS and environmental sensor expansion board for STM32 Nucleo	X-NUCLEO-IKS01A3
Applications	Sports Equipment

1 Schematic diagrams

Figure 1. STEVAL-MKI224V1 circuit schematic



2 Board versions

Table 1. STEVAL-MKI224V1 versions

Finished good	Schematic diagrams	Bill of materials
STEVAL\$MKI224V1A ⁽¹⁾	STEVAL\$MKI224V1A schematic diagrams	STEVAL\$MKI224V1A bill of materials

1. This code identifies the STEVAL-MKI224V1 evaluation board first version.

Revision history

Table 2. Document revision history

Date	Revision	Changes
17-Jan-2022	1	Initial release.