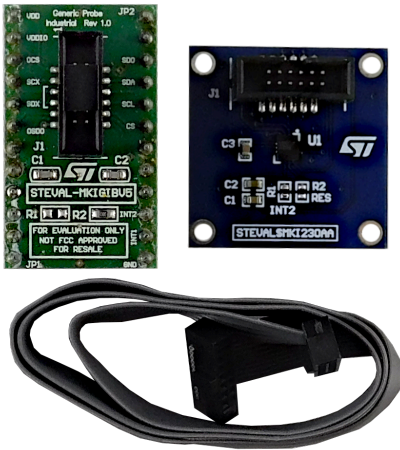


## iNEMO inertial module kit based on ISM330IS



### Features

- User friendly [ISM330IS](#) board
- Complete [ISM330IS](#) pin-out for a standard DIL24 socket
- Fully compatible with the [STEVAL-MKI109V3](#) motherboard
- RoHS compliant

### Description

The [STEVAL-MKI230KA](#) evaluation kit consists of the [STEVAL-MKI230A](#) main sensing board, with a square PCB, which mounts the [ISM330IS](#) 3-axis accelerometer and 3-axis gyroscope with embedded ISPU, the [STEVAL-MKI109V3](#) adapter board, and a flat cable. The main board is connected to the adapter board through the flat cable to make it compatible with the [STEVAL-MKI109V3](#).

The sensing board can be directly attached to the system to be measured through the provided adhesive.

The [ISM330IS](#) is soldered exactly in the center of the board.

The [STEVAL-MKI109V3](#) can be plugged into a standard DIL24 socket. The kit provides the complete [ISM330IS](#) pin-out and comes ready-to-use with the required decoupling capacitors on the VDD power supply line.

This adapter is supported by the [STEVAL-MKI109V3](#) motherboard, which includes a high-performance 32-bit microcontroller functioning as a bridge between the sensor and a PC, on which it is possible to use the downloadable graphical user interface ([Unico-GUI](#)), or dedicated software routines for customized applications.

Product summary	
iNEMO inertial module kit based on ISM330IS	<a href="#">STEVAL-MKI230KA</a>
iNEMO inertial module: always-on 3D accelerometer and 3D gyroscope with embedded ISPU - intelligent sensor processing unit	<a href="#">ISM330IS</a>
MEMS adapter motherboard based on the STM32F401VE	<a href="#">STEVAL-MKI109V3</a>
Motion MEMS and microphone MEMS expansion board for STM32 Nucleo	<a href="#">X-NUCLEO-IKS02A1</a>
Applications	<a href="#">Gas Metering</a>

# 1 Schematic diagrams

Figure 1. STEVAL-MKIGIBV5 circuit schematic

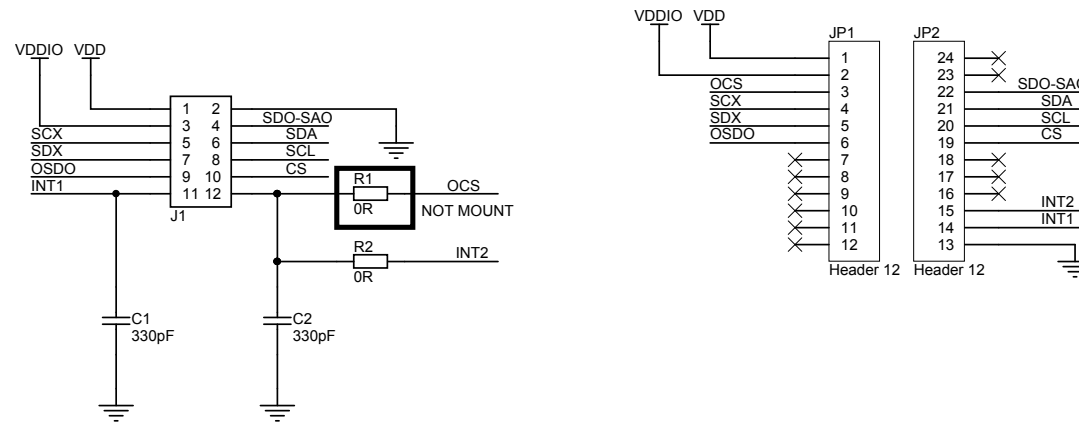
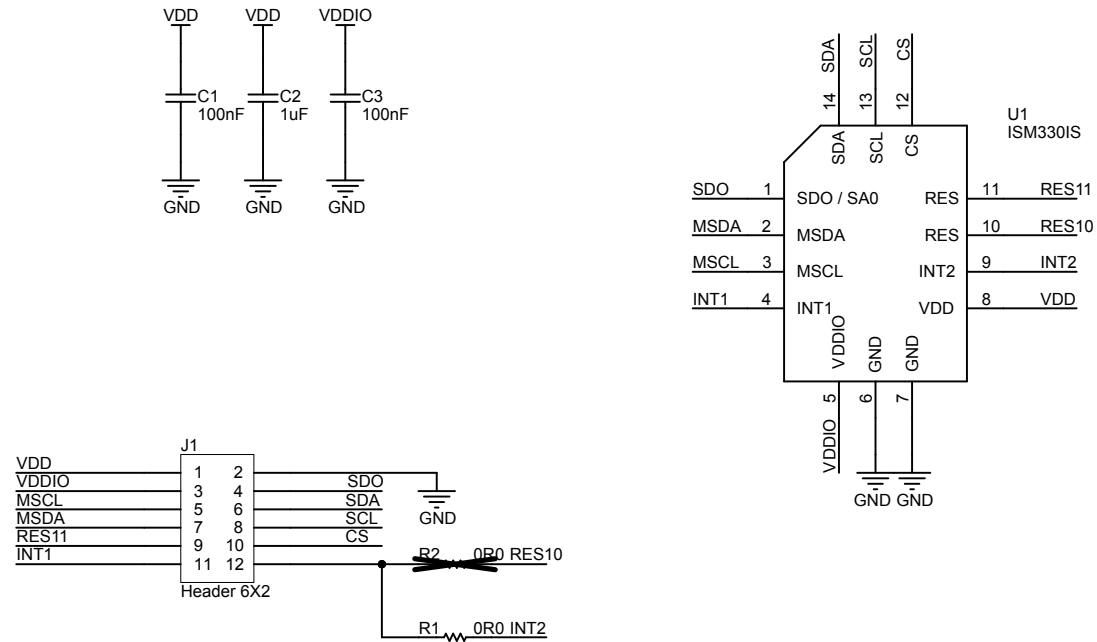


Figure 2. STEVAL-MKI230A circuit schematic



## 2 Kit versions

**Table 1. STEVAL-MKI230KA kit versions**

Finished good	Schematic diagrams	Bill of materials
STEVAL\$MKI230KAA <sup>(1)</sup>	STEVAL\$MKI230KAA schematic diagrams	STEVAL\$MKI230KAA bill of materials

- This code identifies the STEVAL-MKI230KA evaluation kit first version. The kit consists of a STEVAL-MKI230AA whose version is identified by the code STEVAL\$MKI230AAA and a STEVAL-MKIGIBV5 whose version is identified by the code STEVAL\$MKIGIBV5A*

## Revision history

Table 2. Document revision history

Date	Revision	Changes
30-Mar-2022	1	Initial release.