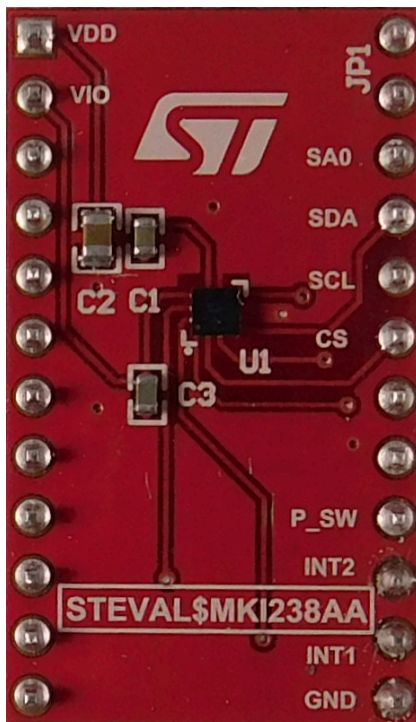


LIS2DUX12 adapter board for a standard DIL 24 socket



Features

- Complete LIS2DUX12 pinout for a standard DIL 24 socket
- Fully compatible with the STEVAL-MKI109V3 motherboard
- RoHS compliant

Description

The STEVAL-MKI238A is an adapter board designed to facilitate the evaluation of MEMS devices in the LIS2DUX12 product family.

The board offers an effective solution for fast system prototyping and device evaluation directly within the user's own application.

The STEVAL-MKI238A can be plugged into a standard DIL 24 socket.

It provides the complete LIS2DUX12 pinout and embeds the required decoupling capacitors on the VDD power supply line.

The adapter is supported by the STEVAL-MKI109V3 motherboard, which includes a high performance 32-bit microcontroller functioning as a bridge between the sensor and a PC.

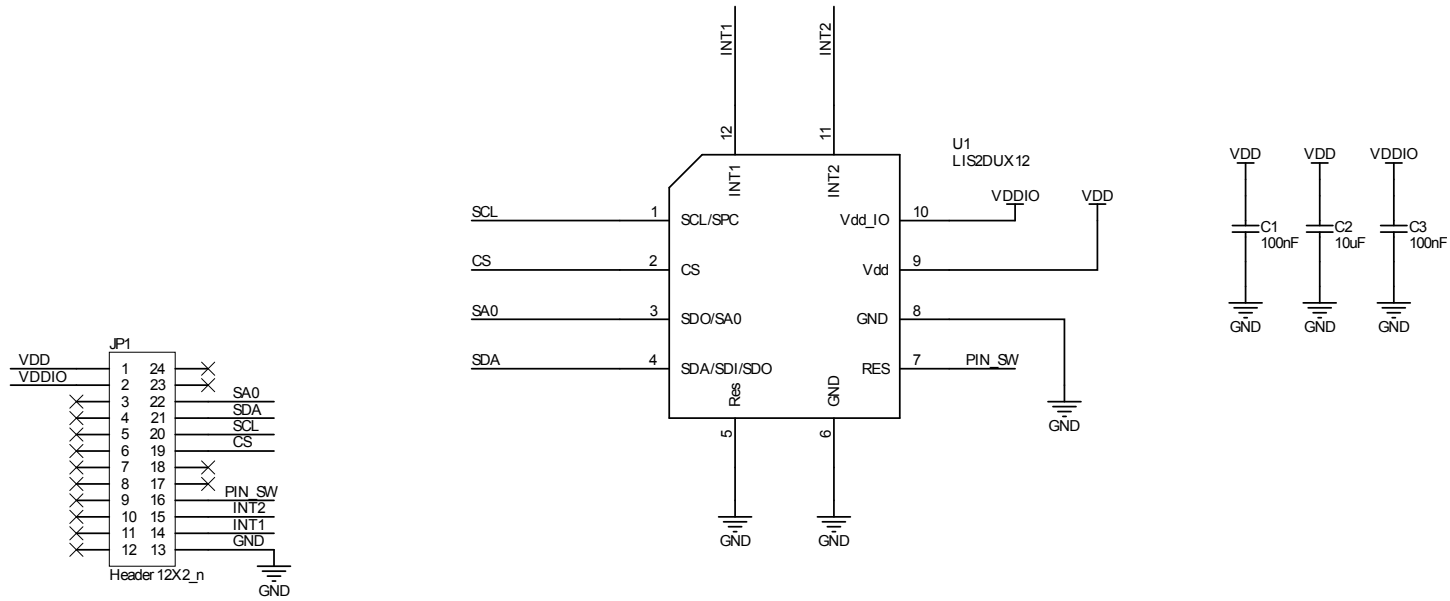
You can use the Unico GUI graphical user interface downloadable from www.st.com (STSW-MKI109L for Linux, STSW-MKI109M for Mac OSX or STSW-MKI109W for Windows) or dedicated software routines for customized applications.

Other possibility is to plug the adapter in X-NUCLEO-IKS01A3 board to develop proper application.

Product summary	
LIS2DUX12 adapter board for a standard DIL 24 socket	STEVAL-MKI238A
Ultralow-power accelerometer with AI & anti-aliasing	LIS2DUX12
Professional MEMS tool: ST MEMS adapters motherboard based on the STM32F401VE and compatible with all ST MEMS adapters	STEVAL-MKI109V3
Motion MEMS and environmental sensor expansion board for STM32 Nucleo	X-NUCLEO-IKS01A3
Applications	Wearable

1 Schematic diagrams

Figure 1. STEVAL-MKI238A circuit schematic



2 Board versions

Table 1. STEVAL-MKI238A versions

Finished good	Schematic diagrams	Bill of materials
STEVAL\$MKI238AA ⁽¹⁾	STEVAL\$MKI238AA schematic diagrams	STEVAL\$MKI238AA bill of materials

1. This code identifies the STEVAL-MKI238A evaluation board first version.

Revision history

Table 2. Document revision history

Date	Revision	Changes
19-Jan-2023	1	Initial release.