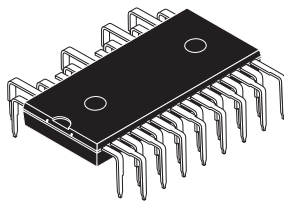
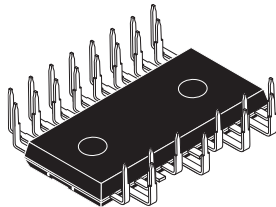


SLLIMM-nano IPM, 3 A, 600 V, 3-phase inverter bridge IGBT



NDIP-26L

Features

- IPM 3 A, 600 V, 3-phase IGBT inverter bridge including control ICs for gate driving and freewheeling diodes
- Optimized for low electromagnetic interference
- $V_{CE(sat)}$ negative temperature coefficient
- 3.3 V, 5 V, 15 V CMOS/TTL input comparators with hysteresis and pull-down/pull-up resistors
- Undervoltage lockout
- Internal bootstrap diode
- Interlocking function
- Shutdown function
- Comparator for fault protection against overtemperature and overcurrent
- Op-amp for advanced current sensing
- Optimized pinout for board layout
- NTC for temperature control (UL 1434 CA 2 and 4)

Applications

- 3-phase inverters for motor drives
- Dish washers
- Refrigerator compressors
- Air-conditioning fans
- Draining and recirculation pumps



Product status	
STGIPN3H60T-H	

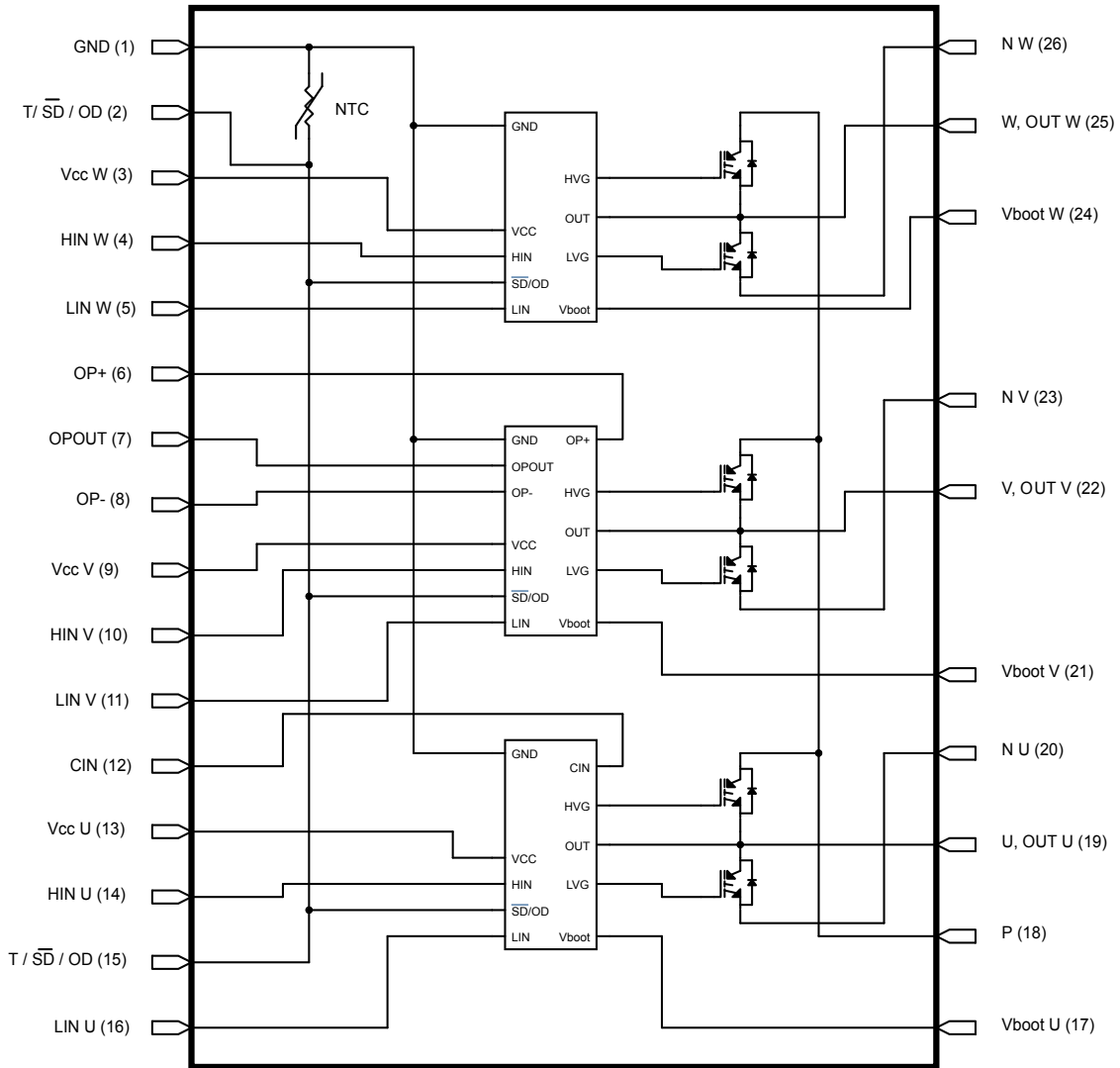
Device summary	
Order code	STGIPN3H60T-H
Marking	GIPN3H60T-H
Package	NDIP-26L
Packing	Tube

Description

This SLLIMM (small low-loss intelligent molded module) nano provides a compact, high-performance AC motor drive in a simple, rugged design. It is composed of six IGBTs and three half-bridge HVICs for gate driving, providing low electromagnetic interference (EMI) characteristics with optimized switching speed. The package is optimized for thermal performance and compactness in built-in motor applications, or other low power applications where assembly space is limited. This IPM includes an operational amplifier, completely uncommitted, and a comparator that can be used to design a fast and efficient protection circuit. SLLIMM is a trademark of STMicroelectronics.

1 Internal schematic diagram and pin configuration

Figure 1. Internal schematic diagram

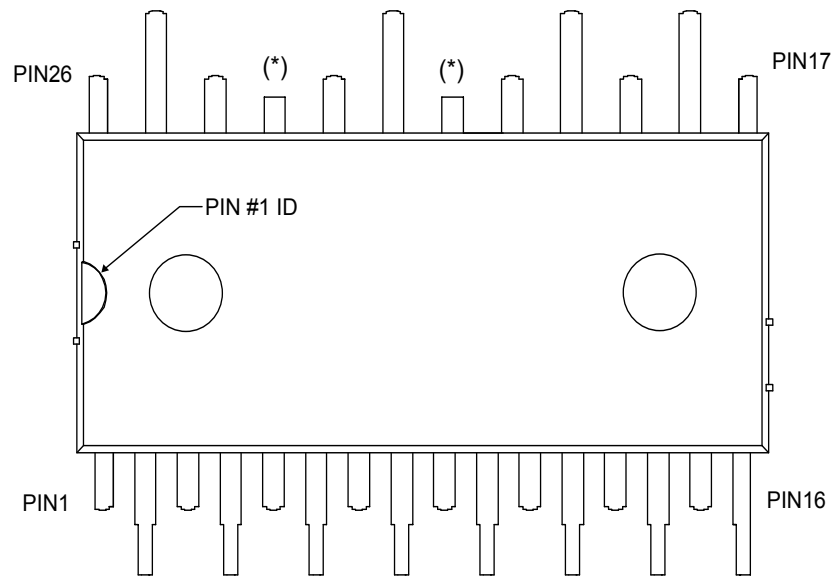


GIPG300720141542SMD

Table 1. Pin description

Pin	Symbol	Description
1	GND	Ground
2	T/ \overline{SD} / OD	NTC thermistor terminal / shutdown logic input (active low) / open-drain (comparator output)
3	V _{CC W}	Low voltage power supply W phase
4	HIN W	High-side logic input for W phase
5	LIN W	Low-side logic input for W phase
6	OP+	Op-amp non-inverting input
7	OP _{OUT}	Op-amp output
8	OP-	Op-amp inverting input
9	V _{CC V}	Low voltage power supply V phase
10	HIN V	High-side logic input for V phase
11	LIN V	Low-side logic input for V phase
12	CIN	Comparator input
13	V _{CC U}	Low voltage power supply for U phase
14	HIN U	High-side logic input for U phase
15	T/ \overline{SD} / OD	NTC thermistor terminal / shutdown logic input (active low) / open-drain (comparator output)
16	LIN U	Low-side logic input for U phase
17	V _{BOOT U}	Bootstrap voltage for U phase
18	P	Positive DC input
19	U, OUT _U	U phase output
20	N _U	Negative DC input for U phase
21	V _{BOOT V}	Bootstrap voltage for V phase
22	V, OUT _V	V phase output
23	N _V	Negative DC input for V phase
24	V _{BOOT W}	Bootstrap voltage for W phase
25	W, OUT _W	W phase output
26	N _W	Negative DC input for W phase

Figure 2. Pin layout (top view)



(*) Dummy pin internally connected to P (positive DC input).

AM09368V1

2 Electrical ratings

2.1 Absolute maximum ratings

Table 2. Inverter part

Symbol	Parameter	Value	Unit
V_{CES}	Collector-emitter voltage for each IGBT ($V_{IN}^{(1)} = 0$ V)	600	V
$\pm I_C$	Continuous collector current each IGBT ($T_C = 25$ °C)	3	A
$\pm I_{CP}^{(2)}$	Pulsed collector current each IGBT (less than 1 ms)	18	A
P_{TOT}	Total power dissipation each IGBT ($T_C = 25$ °C)	9.7	W

1. Applied between HIN_i , LIN_i and GND for $i = U, V, W$.
2. Pulse width limited by max. junction temperature.

Table 3. Control part

Symbol	Parameter	Min.	Max.	Unit
V_{OUT}	Output voltage applied between OUT_U , OUT_V , OUT_W - GND	$V_{boot} - 21$	$V_{boot} + 0.3$	V
V_{CC}	Low voltage power supply	- 0.3	21	V
V_{CIN}	Comparator input voltage	- 0.3	$V_{CC} + 0.3$	V
V_{op+}	Op-amp non-inverting input	- 0.3	$V_{CC} + 0.3$	V
V_{op-}	Op-amp inverting input	- 0.3	$V_{CC} + 0.3$	V
V_{boot}	Bootstrap voltage	- 0.3	620	V
V_{IN}	Logic input voltage applied between HIN, LIN and GND	- 0.3	15	V
$V_{T/SD/OD}$	Open-drain voltage	- 0.3	15	V
dV_{out}/dt	Allowed output slew rate		50	V/ns

Table 4. Total system

Symbol	Parameter	Value	Unit
V_{ISO}	Isolation withstand voltage applied between each pin and heat sink plate (AC voltage, $t = 60$ s)	1000	Vrms
T_J	Power chip operating junction temperature range	-40 to 150	°C
T_C	Module operation case temperature range	-40 to 125	°C

2.2 Thermal data

Table 5. Thermal data

Symbol	Parameter	Value	Unit
$R_{th(j-c)}$	Thermal resistance junction-case single IGBT	12.8	°C/W
	Thermal resistance junction-case single diode	15.5	
R_{thJA}	Thermal resistance junction-ambient (per module)	22	

3 Electrical characteristics

3.1 Inverter part

$T_J = 25\text{ °C}$ unless otherwise specified.

Table 6. Static

Symbol	Parameter	Test conditions	Min.	Typ.	Max.	Unit
$V_{CE(sat)}$	Collector-emitter saturation voltage	$V_{CC} = V_{boot} = 15\text{ V}$, $V_{IN}^{(1)} = 0\text{ to }5\text{ V}$, $I_C = 1\text{ A}$	-	2.15	2.6	V
		$V_{CC} = V_{boot} = 15\text{ V}$, $V_{IN}^{(1)} = 0\text{ to }5\text{ V}$, $I_C = 1\text{ A}$, $T_J = 125\text{ °C}$	-	1.65		
I_{CES}	Collector cut-off current ($V_{IN}^{(1)} = 0$ "logic state")	$V_{CE} = 550\text{ V}$, $V_{CC} = 15\text{ V}$, $V_{BS} = 15\text{ V}$	-		250	μA
V_F	Diode forward voltage	$V_{IN}^{(1)} = 0$ "logic state", $I_C = 1\text{ A}$	-		1.7	V

1. Applied between HIN_i , LIN_i and GND for $i = U, V, W$.

Table 7. Inductive load switching time and energy

Symbol	Parameter	Test conditions	Min.	Typ.	Max.	Unit
$t_{on}^{(1)}$	Turn-on time	$V_{DD} = 300\text{ V}$, $V_{CC} = V_{boot} = 15\text{ V}$, $V_{IN}^{(2)} = 0\text{ to }5\text{ V}$, $I_C = 1\text{ A}$ (see Figure 4. Switching time definition)	-	275	-	ns
$t_{c(on)}^{(1)}$	Crossover time (on)		-	90	-	
$t_{off}^{(1)}$	Turn-off time		-	890	-	
$t_{c(off)}^{(1)}$	Crossover time (off)		-	125	-	
t_{rr}	Reverse recovery time		-	50	-	
E_{on}	Turn-on switching energy		-	18	-	μJ
E_{off}	Turn-off switching energy		-	13	-	

1. t_{ON} and t_{OFF} include the propagation delay time of the internal drive. $t_{C(ON)}$ and $t_{C(OFF)}$ are the switching time of IGBT itself under the internally given gate driving conditions.

2. Applied between HIN_i , LIN_i and GND for $i = U, V, W$.

Figure 3. Switching time test circuit

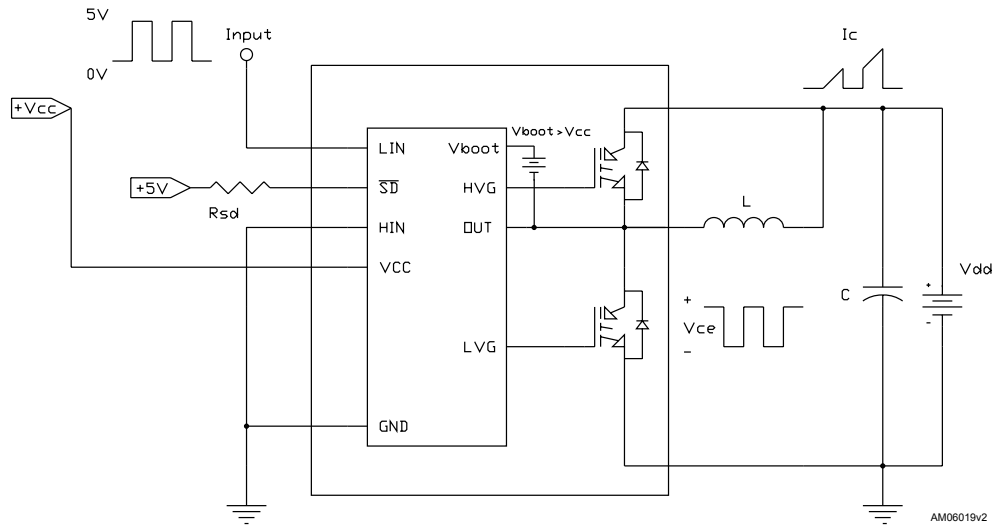
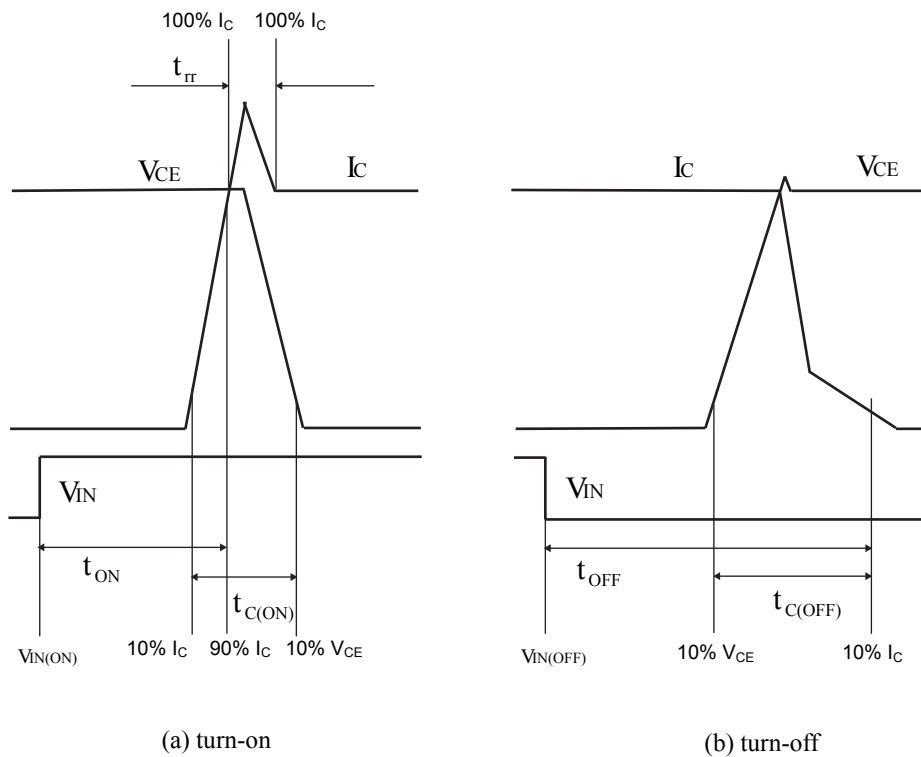


Figure 4. Switching time definition



AM09223V1

Figure 4. Switching time definition refers to HIN, LIN inputs (active high).

3.2 Control part

$V_{CC} = 15\text{ V}$ unless otherwise specified

Table 8. Low voltage power supply

Symbol	Parameter	Test conditions	Min.	Typ.	Max.	Unit
V_{CC_hys}	V_{CC} UV hysteresis		1.2	1.5	1.8	V
V_{CC_thON}	V_{CC} UV turn-ON threshold		11.5	12	12.5	V
V_{CC_thOFF}	V_{CC} UV turn-OFF threshold		10	10.5	11	V
I_{qccu}	Undervoltage quiescent supply current	$V_{CC} = 15\text{ V}$, $T/\overline{SD}/OD = 5\text{ V}$, $LIN = 0\text{ V}$, $HIN = 0\text{ V}$, $CIN = 0\text{ V}$			150	μA
I_{qcc}	Quiescent current	$V_{CC} = 15\text{ V}$, $T/\overline{SD}/OD = 5\text{ V}$, $LIN = 0\text{ V}$, $HIN = 0\text{ V}$, $CIN = 0\text{ V}$			1	mA
V_{ref}	Internal comparator (CIN) reference voltage		0.5	0.54	0.58	V

Table 9. Bootstrapped voltage

Symbol	Parameter	Test conditions	Min.	Typ.	Max.	Unit
V_{BS_hys}	V_{BS} UV hysteresis		1.2	1.5	1.8	V
V_{BS_thON}	V_{BS} UV turn-ON threshold		11.1	11.5	12.1	V
V_{BS_thOFF}	V_{BS} UV turn-OFF threshold		9.8	10	10.6	V
$I_{QB\text{SU}}$	Undervoltage V_{BS} quiescent current	$V_{BS} < 9\text{ V}$, $T/\overline{SD}/OD = 5\text{ V}$, $LIN = 0\text{ V}$ and $HIN = 5\text{ V}$, $CIN = 0\text{ V}$		70	110	μA
$I_{QB\text{S}}$	V_{BS} quiescent current	$V_{BS} = 15\text{ V}$, $T/\overline{SD}/OD = 5\text{ V}$, $LIN = 0\text{ V}$ and $HIN = 5\text{ V}$, $CIN = 0\text{ V}$		200	300	μA
$R_{DS(on)}$	Bootstrap driver on-resistance	LVG ON		120		Ω

Table 10. Logic inputs

Symbol	Parameter	Test conditions	Min.	Typ.	Max.	Unit
V_{il}	Low logic level voltage				0.8	V
V_{ih}	High logic level voltage		2.25			V
I_{HINh}	HIN logic "1" input bias current	HIN = 15 V	20	40	100	μ A
I_{HINl}	HIN logic "0" input bias current	HIN = 0 V			1	μ A
I_{LINl}	LIN logic "0" input bias current	LIN = 0 V			1	μ A
I_{LINh}	LIN logic "1" input bias current	LIN = 15 V	20	40	100	μ A
I_{SDh}	\overline{SD} logic "0" input bias current	\overline{SD} = 15 V	200	350	500	μ A
I_{SDl}	\overline{SD} logic "1" input bias current	\overline{SD} = 0 V			3	μ A
Dt	Dead time	(see Figure 9. Dead time and interlocking waveform definitions)		180		ns

Table 11. Op-amp characteristics

Symbol	Parameter	Test condition	Min.	Typ.	Max.	Unit
V_{io}	Input offset voltage	$V_{ic} = 0$ V, $V_o = 7.5$ V			6	mV
I_{io}	Input offset current	$V_{ic} = 0$ V, $V_o = 7.5$ V		4	40	nA
I_{ib}	Input bias current ⁽¹⁾			100	200	nA
V_{OL}	Low level output voltage	$R_L = 10$ k Ω to V_{CC}		75	150	mV
V_{OH}	High level output voltage	$R_L = 10$ k Ω to GND	14	14.7		V
I_o	Output short-circuit current	Source, $V_{id} = +1$ V, $V_o = 0$ V	16	30		mA
		Sink, $V_{id} = -1$ V, $V_o = V_{CC}$	50	80		mA
SR	Slew rate	$V_i = 1 - 4$ V, $C_L = 100$ pF, unity gain	2.5	3.8		V/ μ s
GBWP	Gain bandwidth product	$V_o = 7.5$ V	8	12		MHz
A_{vd}	Large signal voltage gain	$R_L = 2$ k Ω	70	85		dB
SVR	Supply voltage rejection ratio	vs. V_{CC}	60	75		dB
CMRR	Common mode rejection ratio		55	70		dB

1. The direction of input current is out of the IC.

Table 12. Sense comparator characteristics

Symbol	Parameter	Test conditions	Min.	Typ.	Max.	Unit
I_{ib}	Input bias current	$V_{CIN} = 1\text{ V}$			1	μA
V_{od}	Open-drain low level output voltage	$I_{od} = 3\text{ mA}$			0.5	V
R_{ON_OD}	Open-drain low level output	$I_{od} = 3\text{ mA}$		166		Ω
R_{PD_SD}	\overline{SD} pull-down resistor ⁽¹⁾			125		k Ω
t_{d_comp}	Comparator delay	T/ \overline{SD} /OD pulled to 5 V through 100 k Ω resistor		90	130	ns
SR	Slew rate	$C_L = 180\text{ pF}$; $R_{pu} = 5\text{ k}\Omega$		60		V/ μs
t_{sd}	Shutdown to high- / low-side driver propagation delay	$V_{OUT} = 0$, $V_{boot} = V_{CC}$, $V_{IN} = 0$ to 3.3 V	50	125	200	ns
t_{isd}	Comparator triggering to high- / low-side driver turn-off propagation delay	Measured applying a voltage step from 0 V to 3.3 V to pin CIN	50	200	250	

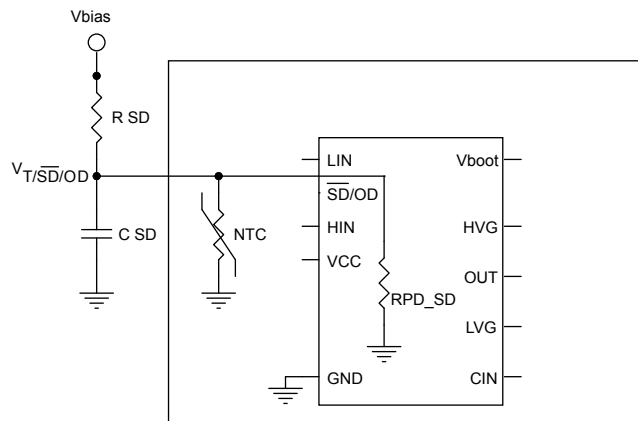
1. Equivalent value derived from the resistances of three drivers in parallel.

Table 13. Truth table

Condition	Logic input (V_i)			Output	
	T/ \overline{SD} /OD	LIN	HIN	LVG	HVG
Shutdown enable half-bridge tri-state	L	X ⁽¹⁾	X ⁽¹⁾	L	L
Interlocking half-bridge tri-state	H	H	H	L	L
0 "logic state" half-bridge tri-state	H	L	L	L	L
1 "logic state" low- side direct driving	H	H	L	H	L
1 "logic state" high- side direct driving	H	L	H	L	H

1. X: don't care.

3.2.1 NTC thermistor

Figure 5. Internal structure of \overline{SD} and NTC


R_{PD_SD} : equivalent value as result of resistances of three drivers in parallel.

Figure 6. Equivalent resistance (NTC//R_{PD_SD})

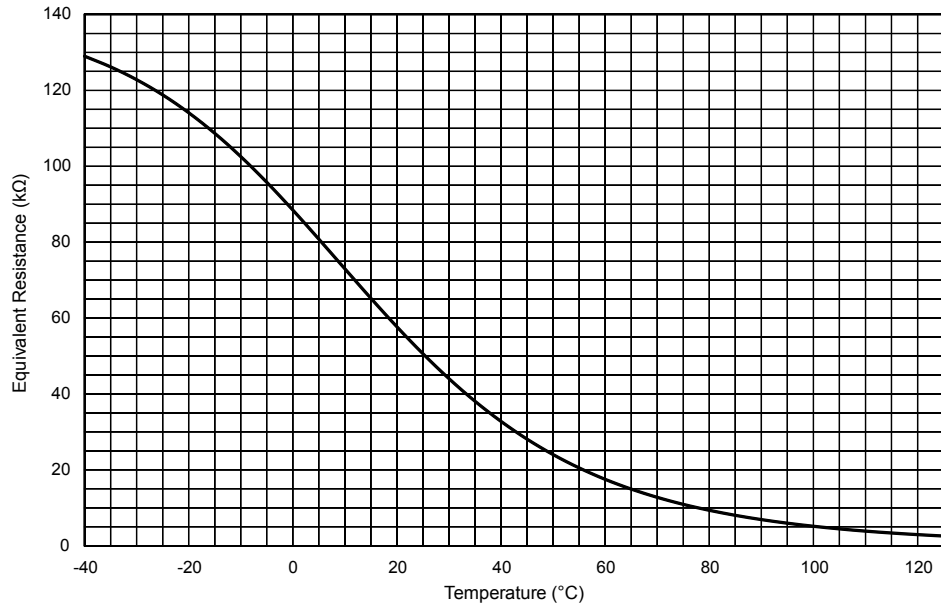


Figure 7. Equivalent resistance (NTC//R_{PD_SD} zoom)

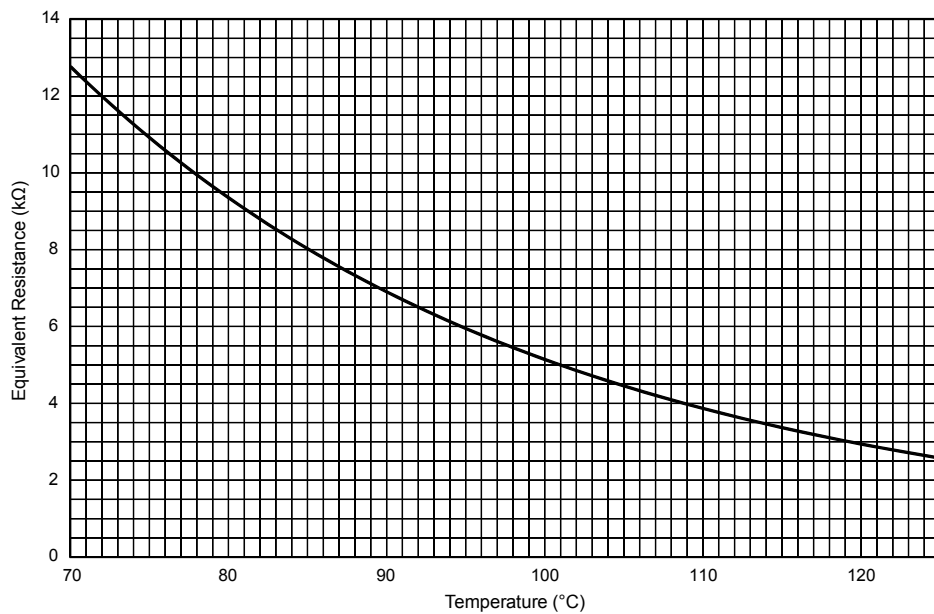
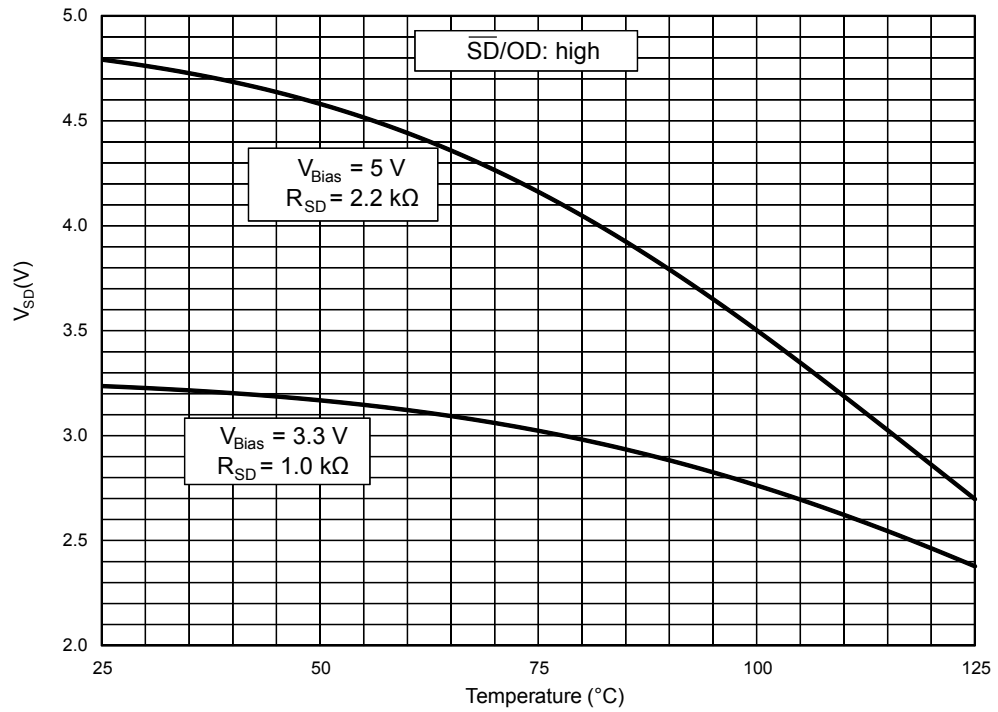
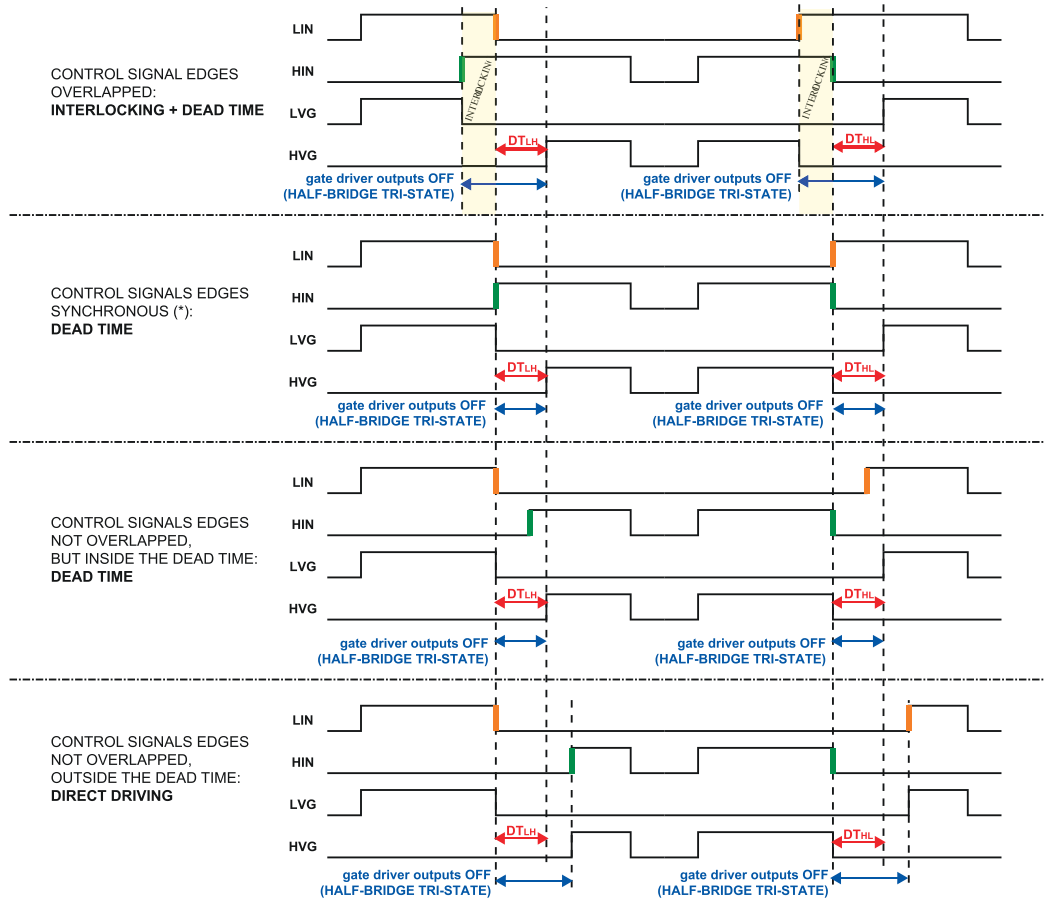


Figure 8. Voltage of T/ \overline{SD} /OD pin according to NTC temperature



3.3 Waveform definitions

Figure 9. Dead time and interlocking waveform definitions



4 Shutdown function

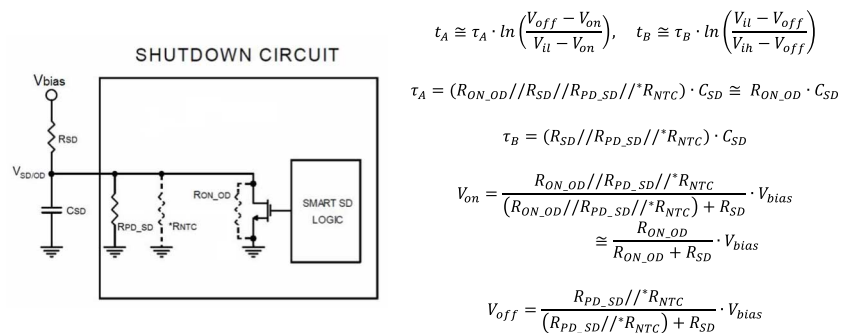
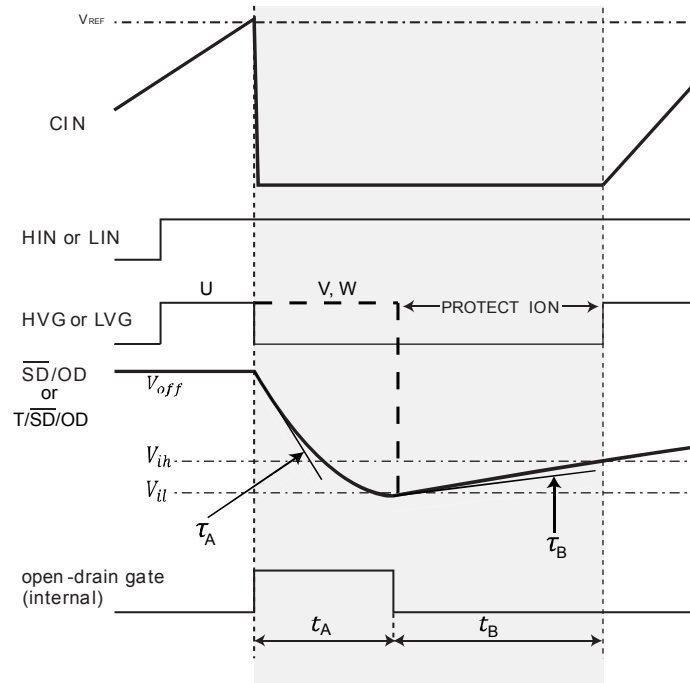
The device is equipped with three half-bridge IC gate drivers and integrates a comparator for fault detection. The comparator has an internal voltage reference V_{REF} connected to the inverting input, while the non-inverting input pin (CIN) can be connected to an external shunt resistor for current monitoring.

Since the comparator is embedded in the U IC gate driver, in case of fault it disables directly the U outputs, whereas the shutdown of V and W IC gate drivers depends on the RC value of the external SD circuitry, which fixes the disabling time.

For an effective design of the shutdown circuit, please refer to Application note AN4966.

Figure 10. Shutdown timing waveforms

GADG250120171515FSR



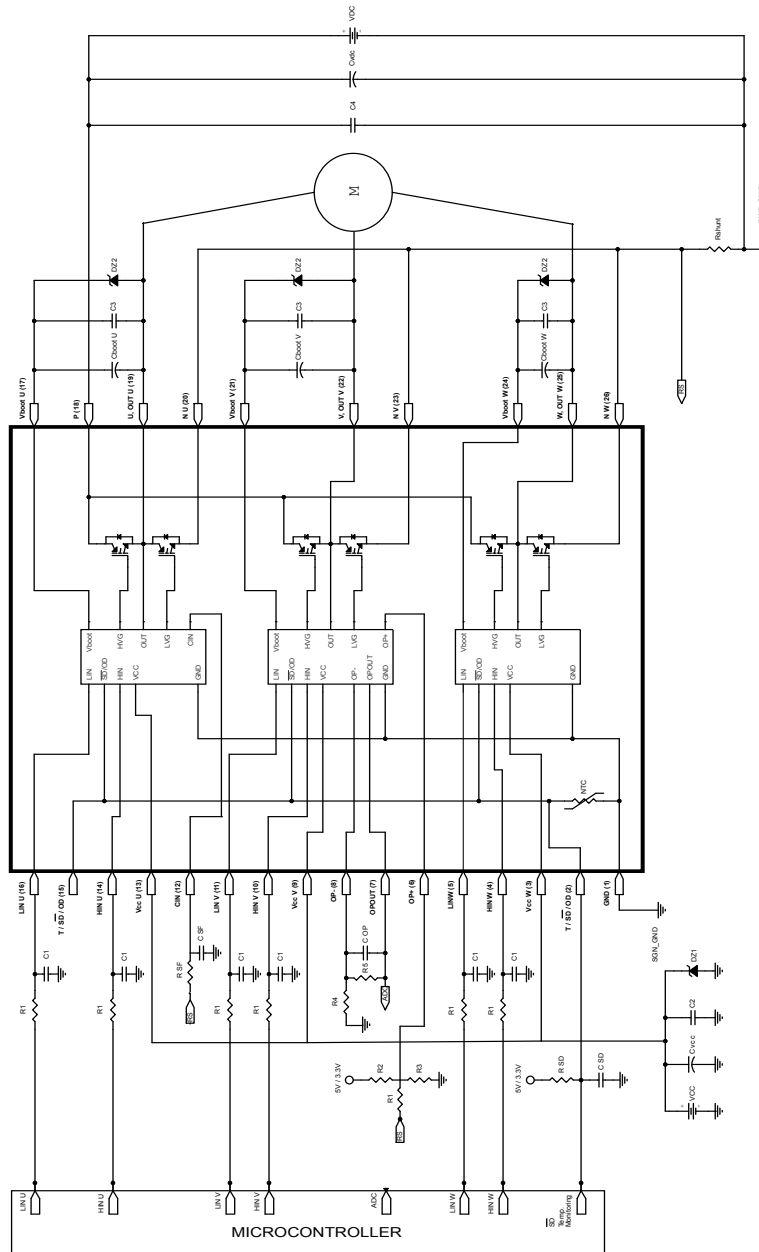
R_{SD} and C_{SD} external circuitry must be designed to ensure $V_{on} < V_{il}$ & $V_{off} > V_{ih}$

Please refer to AN4966 for further details.

* R_{NTC} to be considered only when the NTC is internally connected to the T/SD/OD pin.

5 Application circuit example

Figure 11. Application circuit example



GAD250720161156FSR

Application designers are free to use a different scheme according to the specifications of the device.

5.1 Guidelines

- Input signals HIN, LIN are active high logic. A 375 kΩ (typ.) pull-down resistor is built-in for each input. To avoid input signal oscillation, the wiring of each input should be as short as possible, and the use of RC filters (R_1 , C_1) on each input signal is suggested. The filters should be with a time constant of about 100 ns and placed as close as possible to the IPM input pins.
- The use of a bypass capacitor C_{VCC} (aluminum or tantalum) can reduce the transient circuit demand on the power supply. Also, to reduce any high-frequency switching noise distributed on the power lines, a decoupling capacitor C_2 (100 to 220 nF, with low ESR and low ESL) should be placed as close as possible to the V_{cc} pin and in parallel with the bypass capacitor.
- The use of an RC filter (R_{SF} , C_{SF}) is recommended to prevent protection circuit malfunction. The time constant ($R_{SF} \times C_{SF}$) should be set to 1 μs and the filter must be placed as close as possible to the C_{IN} pin.
- The \overline{SD} is an input/output pin (open-drain type if it is used as output). A built-in thermistor NTC is internally connected between the \overline{SD} pin and GND. The voltage V_{SD-GND} decreases as the temperature increases, due to the pull-up resistor R_{SD} . In order to keep the voltage always higher than the high-level logic threshold, the pull-up resistor should be set to 1 kΩ or 2.2 kΩ for 3.3 V or 5 V MCU power supply, respectively. The capacitor C_{SD} of the filter on \overline{SD} should be fixed no higher than 3.3 nF in order to assure the \overline{SD} activation time $\tau_A \leq 500$ ns. Besides, the filter should be placed as close as possible to the \overline{SD} pin.
- The decoupling capacitor C_3 (from 100 to 220 nF, ceramic with low ESR and low ESL), in parallel with each C_{boot} , filters high-frequency disturbance. Both C_{boot} and C_3 (if present) should be placed as close as possible to the U, V, W and V_{boot} pins. Bootstrap negative electrodes should be connected to U, V, W terminals directly and separated from the main output wires.
- To avoid overvoltage on the V_{cc} pin, a Zener diode (Dz1) can be used. Similarly on the V_{boot} pin, a Zener diode (Dz2) can be placed in parallel with each C_{boot} .
- The use of the decoupling capacitor C_4 (100 to 220 nF, with low ESR and low ESL) in parallel with the electrolytic capacitor C_{vdc} is useful to prevent surge destruction. Both capacitors C_4 and C_{vdc} should be placed as close as possible to the IPM (C_4 has priority over C_{vdc}).
- By integrating an application-specific type HVIC inside the module, direct coupling to the MCU terminals without an opto-couplers is possible.
- Low-inductance shunt resistors have to be used for phase leg current sensing.
- In order to avoid malfunctions, the wiring on N pins, the shunt resistor and P_{WR_GND} should be as short as possible.
- The connection of SGN_GND to PWR_GND on one point only (close to the shunt resistor terminal) can reduce the impact of power ground fluctuation.

These guidelines ensure the device specifications for application designs. For further details, please refer to the relevant application note.

Table 14. Recommended operating conditions

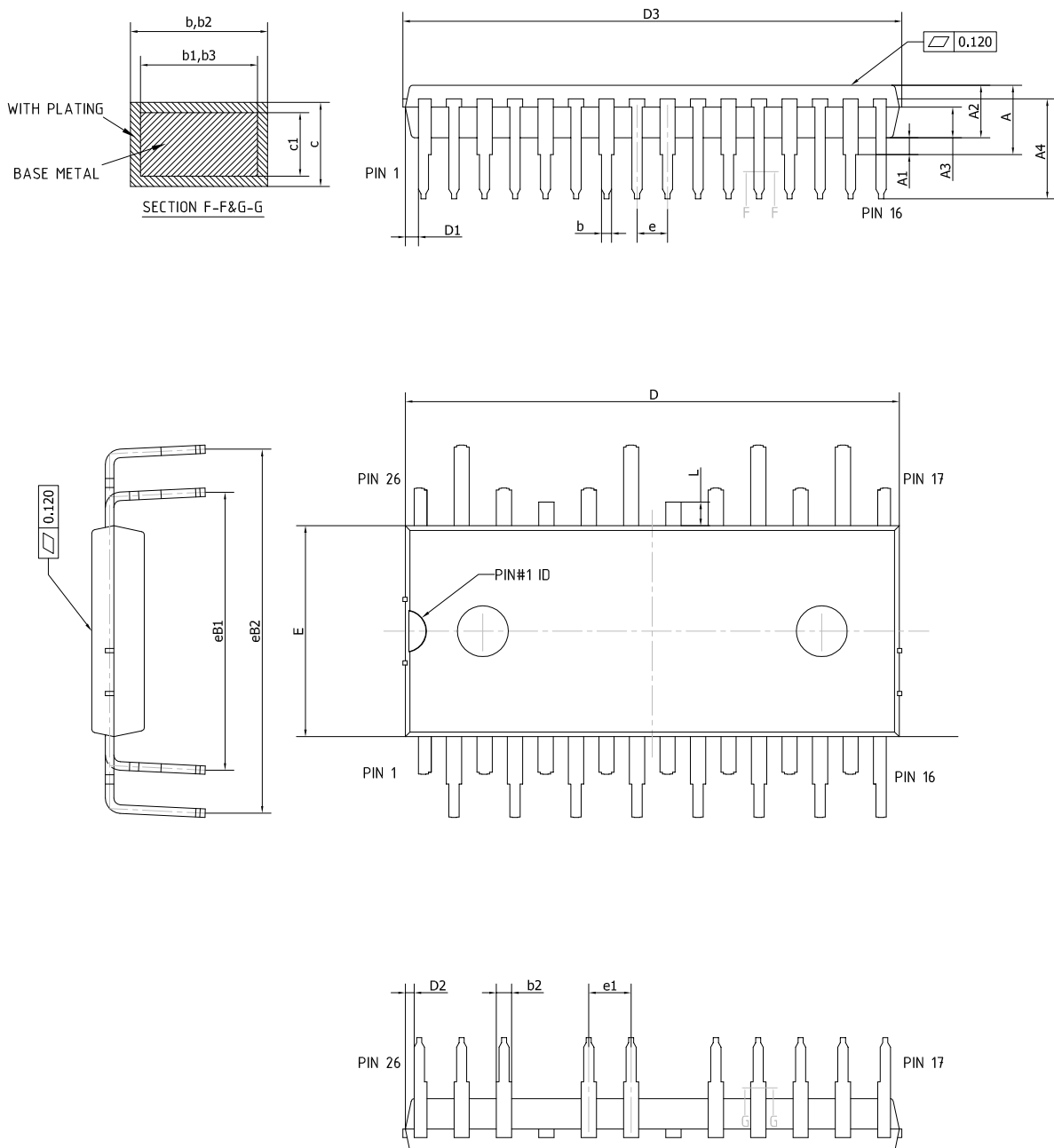
Symbol	Parameter	Test conditions	Min.	Typ.	Max.	Unit
V_{PN}	Supply voltage	Applied between P-Nu, Nv, Nw		300	500	V
V_{CC}	Control supply voltage	Applied between V_{CC-GND}	13.5	15	18	V
V_{BS}	High-side bias voltage	Applied between $V_{BOOTx-OUT}$ for x = U, V, W	13		18	V
t_{dead}	Blanking time to prevent arm-short	For each input signal	1.5			μs
f_{PWM}	PWM input signal	$-40\text{ }^\circ\text{C} < T_C < 100\text{ }^\circ\text{C}$ $-40\text{ }^\circ\text{C} < T_J < 125\text{ }^\circ\text{C}$			25	kHz
T_C	Case operation temperature				100	°C

6 Package information

In order to meet environmental requirements, ST offers these devices in different grades of **ECOPACK** packages, depending on their level of environmental compliance. ECOPACK specifications, grade definitions and product status are available at: www.st.com. ECOPACK is an ST trademark.

6.1 NDIP-26L type C package information

Figure 12. NDIP-26L type C package outline



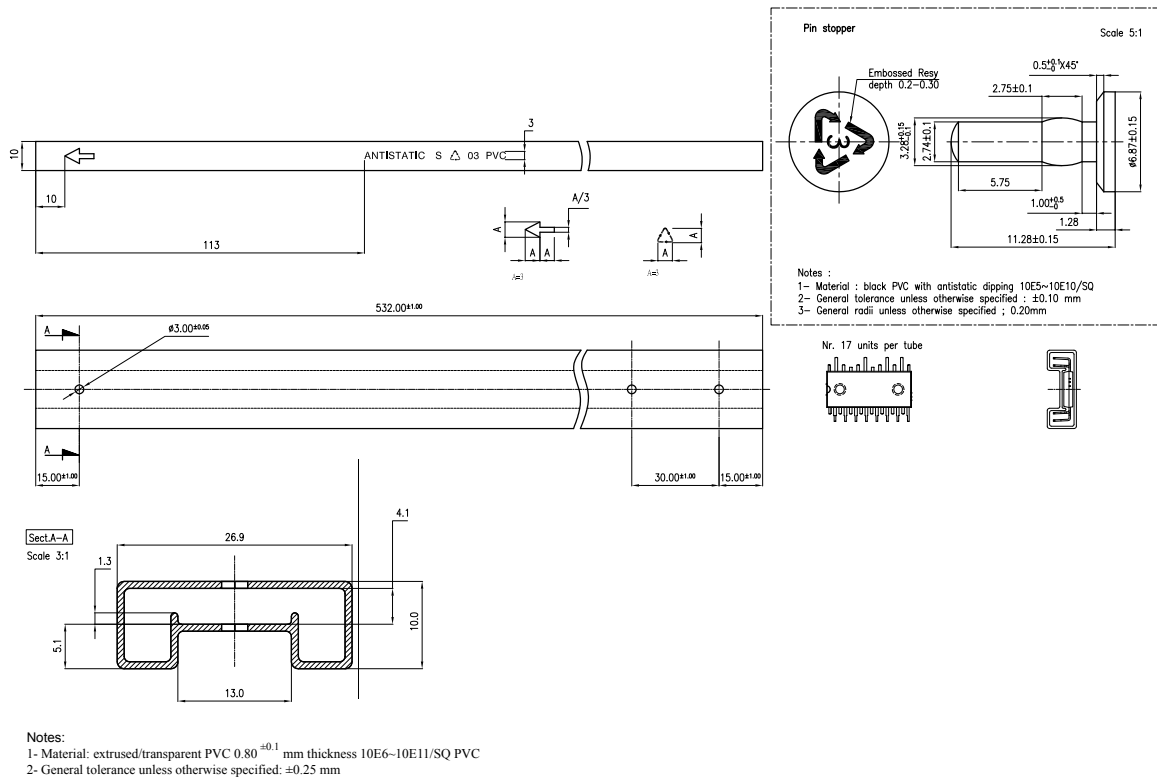
8278949_7

Table 15. NDIP-26L type C mechanical data

Dim.	mm		
	Min.	Typ.	Max.
A			4.40
A1	0.80	1.00	1.20
A2	3.00	3.10	3.20
A3	1.70	1.80	1.90
A4	5.70	5.90	6.10
b	0.53		0.72
b1	0.52	0.60	0.68
b2	0.83		1.02
b3	0.82	0.90	0.98
c	0.46		0.59
c1	0.45	0.50	0.55
D	29.05	29.15	29.25
D1	0.50	0.77	1.00
D2	0.35	0.53	0.70
D3			29.55
E	12.35	12.45	12.55
e	1.70	1.80	1.90
e1	2.40	2.50	2.60
eB1	16.10	16.40	16.70
eB2	21.18	21.48	21.78
L	1.24	1.39	1.54

6.2 NDIP-26L packing information

Figure 13. NDIP-26L tube (dimensions are in mm)



8313150_3

Table 16. Shipping details

Parameter	Value
Base quantity	17 pieces
Bulk quantity	476 pieces

Revision history

Table 17. Document revision history

Date	Revision	Changes
19-Dec-2013	1	Initial release.
23-Apr-2014	2	Updated <i>Figure 1: Internal schematic diagram</i> and <i>Section 3: Electrical characteristics</i> . Minor text changes.
05-May-2014	3	Updated features in cover page.
04-Nov-2014	4	Updated: <ul style="list-style-type: none"> – <i>Figure 1: Internal schematic diagram</i> – <i>Table 10: Logic inputs (VCC = 15 V unless otherwise specified)</i> – <i>Table 12: Sense comparator characteristics (VCC = 15 V unless otherwise specified)</i> – <i>Section 3.1.1: NTC thermistor</i> – <i>Section 4: Smart shutdown function description</i> – <i>Figure 10: Smart shutdown timing waveforms</i> – <i>Figure 11: Typical application circuit</i> – <i>Section 5.1: Recommendations</i> – minor text changes
07-Nov-2014	5	Minor text and formatting edits throughout document.
08-Jun-2015	6	Updated <i>Section 6: Package information</i> . Minor text changes.
16-Mar-2017	7	Updated <i>Section 6.1: "NDIP-26L type C package information"</i> and <i>Section 6.2: "NDIP-26L packing information"</i> Minor text changes
11-Dec-2019	8	Removed maturity status indication from cover page. Modified applications and description on cover page. Modified Table 2. Inverter part , Table 5. Thermal data and Table 6. Static . Modified Section 3.2 Control part , Section 4 Shutdown function and Section 5.1 Guidelines . Minor text changes.

Contents

1	Internal schematic diagram and pin configuration	2
2	Electrical ratings	5
2.1	Absolute maximum ratings	5
2.2	Thermal data	5
3	Electrical characteristics	7
3.1	Inverter part	7
3.2	Control part	9
3.2.1	NTC thermistor	11
3.3	Waveform definitions	13
4	Smart shutdown function	15
5	Application circuit example	16
5.1	Guidelines	17
6	Package information	18
6.1	NDIP-26L type C package information	18
6.2	NDIP-26L packing information	19
	Revision history	21