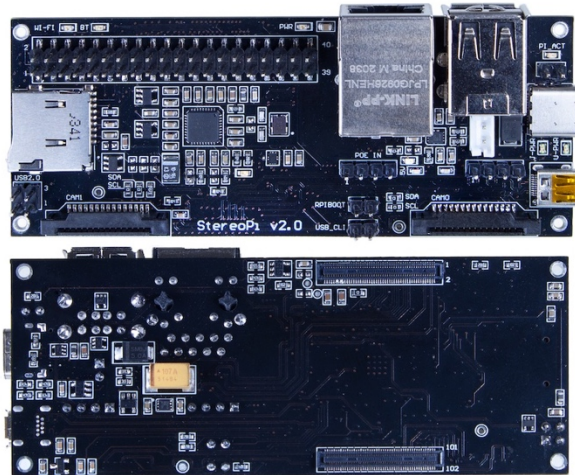


StereoPi v2 Standard Edition

Mouser PN: 392-STPI2-REG-01



Brief Description

- StereoPi is a carrier board for a Raspberry Pi Compute Module 4.
- This is an open source stereoscopic camera based on Raspberry Pi. It can capture, save, livestream, and process real-time stereoscopic video and images. StereoPi opens up countless possibilities in robotics, AR/VR, computer vision, drone instrumentation, panoramic video, and more.

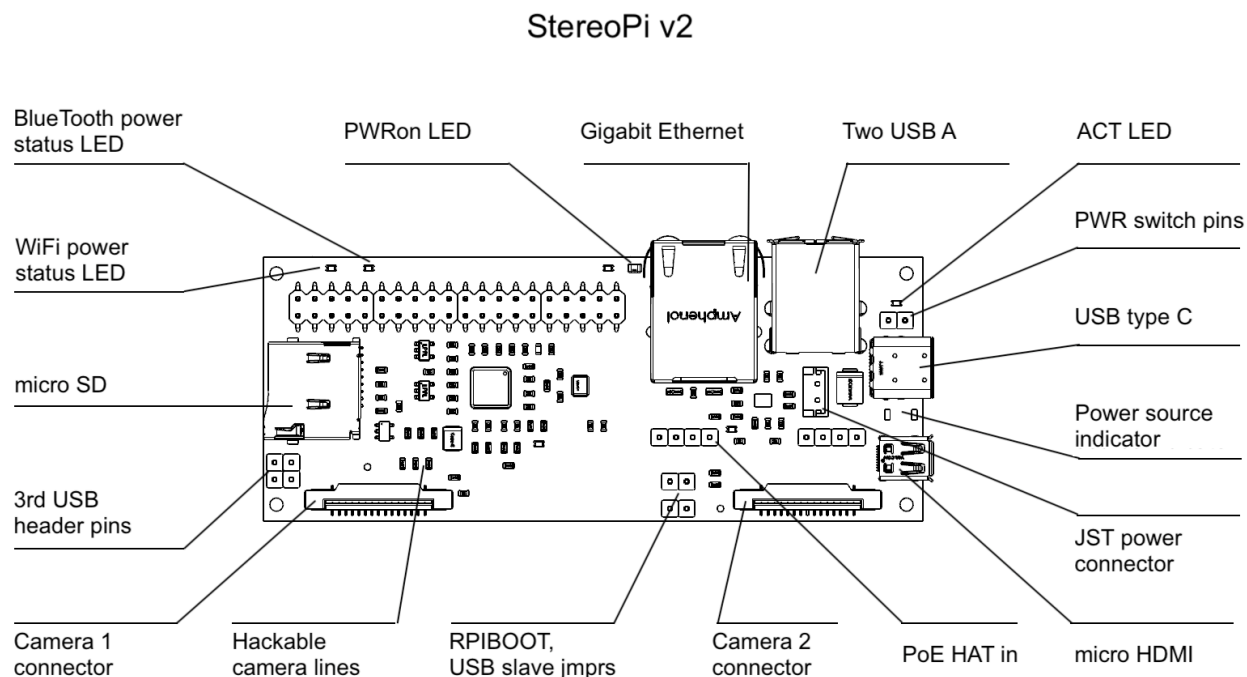
Features & Specifications

- **Raspberry Pi Compatibility:**
 - Raspberry Pi Compute Module 4, including:
 - – both wireless-equipped and no-wireless versions
 - – eMMC equipped and no eMMC editions
 - – 1, 2, 4, and 8 Gb RAM versions
- **Dimensions:**
 - width x length: 100 mm x 40 mm
 - height: 23 mm (standard edition) / 15 mm (slim edition)
- **Video:**
 - input: two 15-pin CSI-2 camera connectors
 - output: one micro HDMI
- **Camera Support:**
 - Raspberry Pi camera V1 (OV5647 sensor), V2 (Sony IMX 219 sensor), HQ (IMX477 sensor)
 - HDMI video capture module (single mode, on Toshiba TC358743XBG chip)
 - Other camera modules with additional drivers
- **Connectivity:**
 - GPIO: 40-pin classic Raspberry Pi header
 - USB: 2 x USB Type-A, 1 x USB pin header
 - Ethernet: RJ45 jack
- **Storage:**
 - microSD card slot (for non-eMMC versions of CM4)
- **Power:**
 - 5 V DC input via two-pin header
 - USB C power input
 - Power hot-swap support
 - PoE support with external shield
- **Software:**
 - Raspberry OS support “out of the box”
 - eMMC software upload support

Kit content:

- 1 x StereoPi v2 Standard board
- 2 x Short power cable (JST EHR 2 connector)
- 3 x Jumpers

Specific details



StereoPi v2 Standard Edition

Additional information

StereoPi V2 Standard edition is **RoHS 3 Compliant**