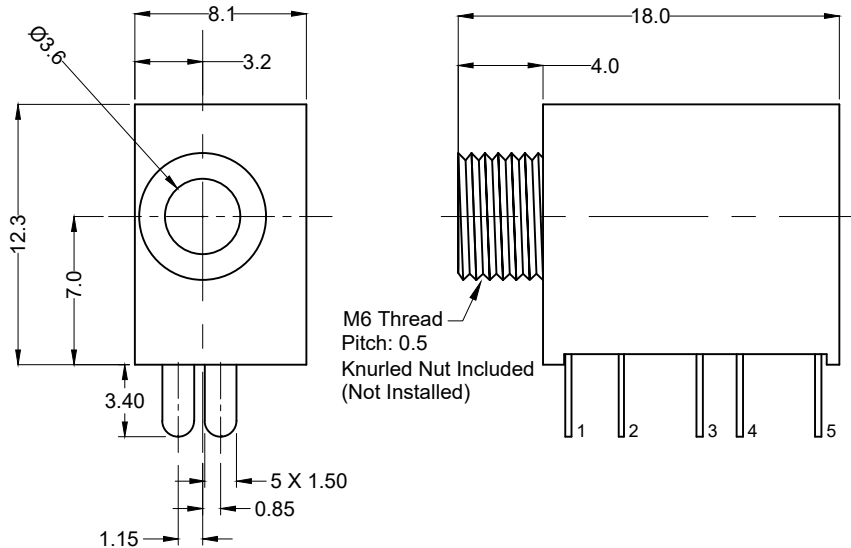
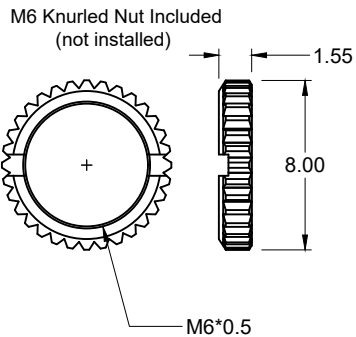


vs. STX-3150-xC

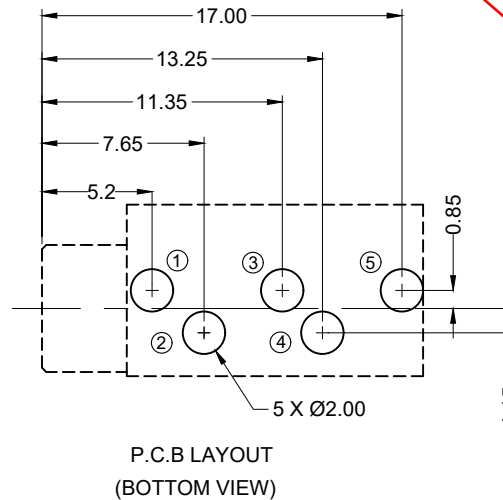
8.2



M6 Thread
Pitch: 0.5
Knurled Nut Included
(Not Installed)



All terminals:
Phosphor
Bronze silver



P.C.B LAYOUT
(BOTTOM VIEW)

Materials and Finish

- Housing: PBT Thermoplastic
UL 94V-0 Rated, Black Color
- Contact Material:
- Pin #1: Brass, Matte Tin Plated
- Pin #2 and Pin #4:
Phosphor Bronze, Matte
Tin Plated
- Pin #3 and Pin #5:
Brass, Matte Tin Plated
- Switch Contacts:
Brass, Matte Tin Plated

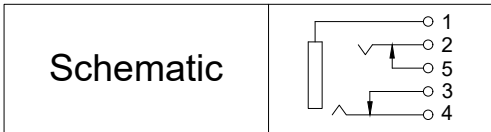
Electrical Characteristics

- Insulation Resistance:
100 Megohms at 500V DC
- Contact Resistance:
50 milliohms Max.
- Dielectric Withstanding Voltage:
500V AC RMS for 1 Minute

Mechanical Characteristics

- Insertion Force: 0.3kg - 3.0kg
- Withdrawal Force: 0.3kg - 3.0kg
- Durability: 5000 Mating Cycles Min.
- Operating Temperature:
-25°C to +85°C

30



Schematic

Tolerances	
X.X ± 0.30	
X.XX ± 0.15	
Unless Stated Otherwise	

RoHS COMPLIANT



REV.	DATE	DESCRIPTION	REV. BY	CHK. BY	DRAWN BY	DATE
A0	03/29/18	New Drawing	G. Serrato	C. Furumasa	G. Serrato	03/29/18
A1	11/07/18	Release Drawing DC18-009	D. Shehan	C. Kelleher		

STX-3150-5C-1

Stereo Jack, Straight Black Cover, 5 Pos

Thread w/ Nut, RoHS Compliant

