

**Materials and Finish**

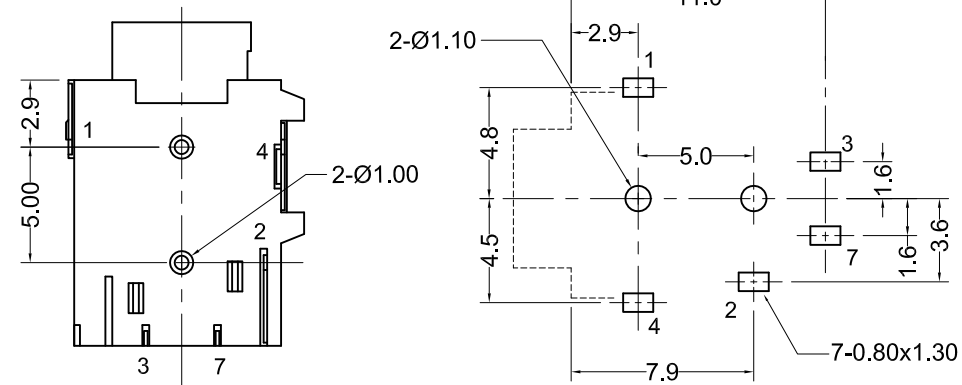
Housing: High Temp Thermoplastic  
 Color: Black  
 Contact Material:  
 Pin #1: Copper Alloy, Gold Flash  
 Pin #2 through Pin #4  
 Copper Alloy, Tin Plated  
 Pin #7: Brass, Tin Plated

**Electrical Characteristics**

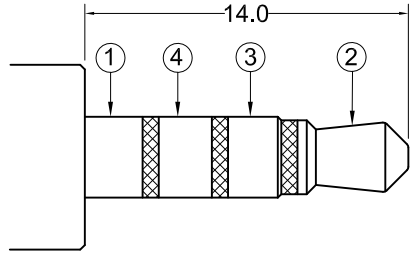
Insulation Resistance:  
 100 Megohms at 500V DC  
 Contact Resistance:  
 50 milliohms Max.  
 Dielectric Withstanding Voltage:  
 500V AC RMS for 1 Minute

**Mechanical Characteristics**

Insertion Force: 0.2kgf - 2.0kgf  
 Withdrawal Force: 0.2kgf - 2.0kgf  
 Durability: 5000 Mating Cycles Min.  
 Operating Temperature:  
 -25°C to +85°C



Recommended PCB Layout  
 (Top View)



Ø3.5 MATE PLUG

SCHEMATIC		
MODEL NO.	STX-35061-3T	STX-35061-4T



Tolerances
X.X ± 0.35
X.XX ± 0.25
Unless Stated
Otherwise

REV.	DATE	DESCRIPTION	REV. BY	CHK. BY	DRAWN BY	DATE
A0	11/30/2016	New Drawing	G. Serrato	W. Cook		
A1	04/05/2017	Release Drawing	J. Elbanna	C. Kelleher	G. Serrato	11/30/2016
A2	02/08/2018	Update Drawing	J. Elbanna	C. Kelleher		

**STX-35061-xT**

3.5 mm Audio Jack, 4 Pole

Through Hole, RoHS Compliant

