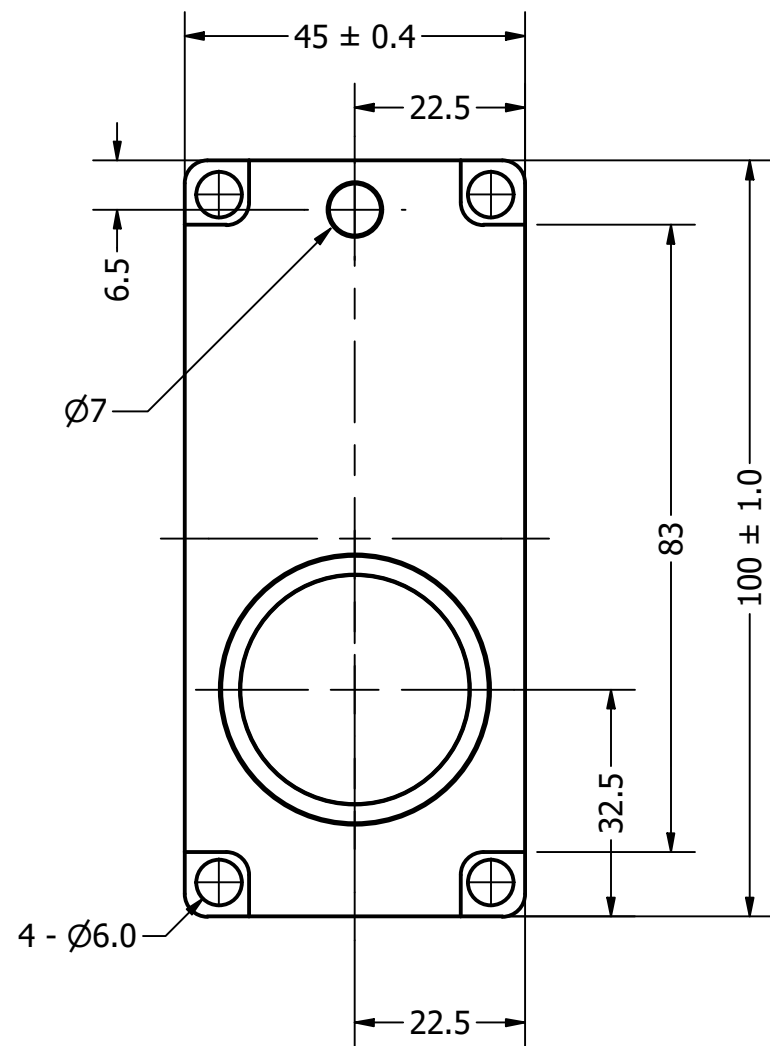
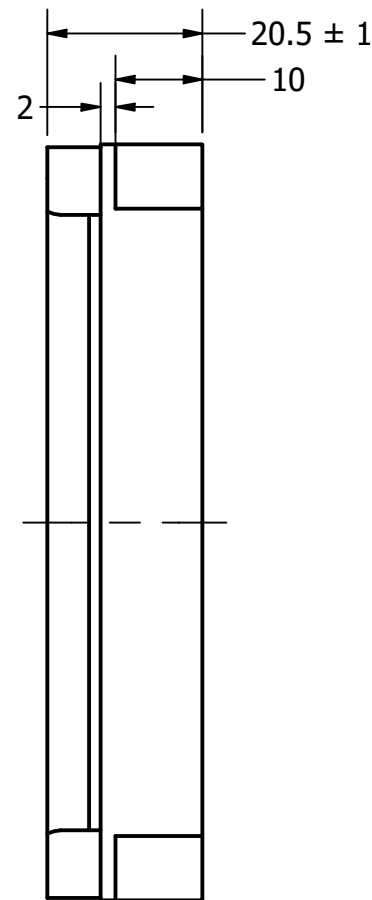


Part Number:	SW1000304-1	
DRAWN	CJ	3/24/2017
CHECKED	P.D.	10/6/2017
Description:	Waterproof Dynamic Speaker	
APPROVED	C.E.	10/6/2017
This document contains data proprietary to DB Unlimited. Any use or reproduction, in any form, without prior written permission of DB Unlimited is prohibited. All terms and conditions can be found at www.dbunlimitedco.com		

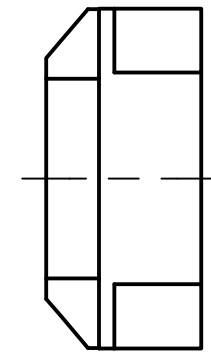
Top View



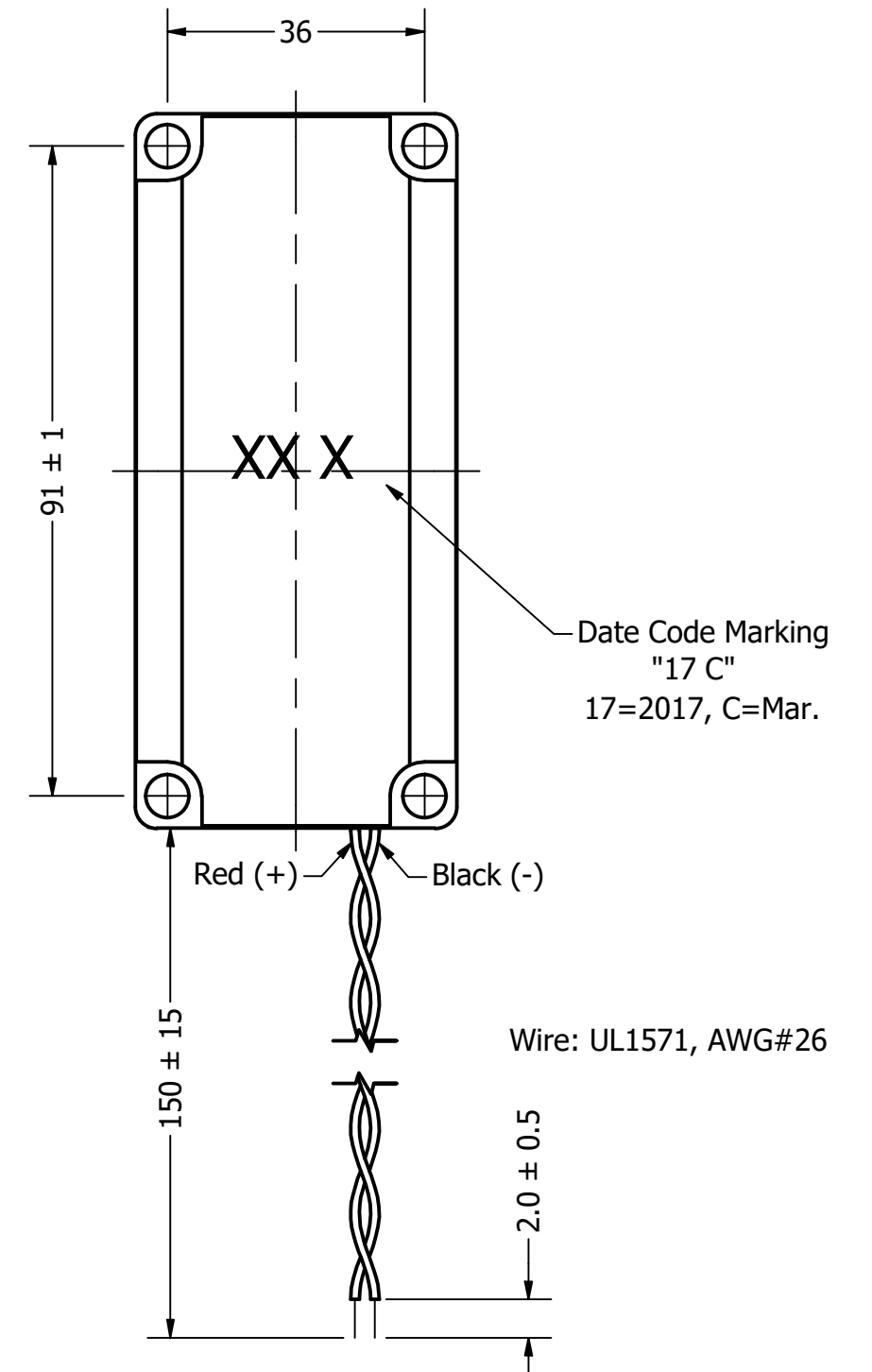
Side View (1)



Side View (2)



Bottom View



Items	Specifications	Conditions	REVISION HISTORY			
			REV	DESCRIPTION	DATE	APPROVED
Sound Pressure Level	106	dB (@ 10cm), Avg.		Released from Engineering	10/6/2017	C.E.
Resonant Frequency	350	Hz	1	Add polarity marking, remove connector	10/24/2017	C.E.
Frequency Range	350 ~ 20,000	Hz	2	Update markings	2/28/2018	C.E.
Nominal Power	3	W	3	Updated tolerances	6/11/2018	C.E.
Max. Power	5	W	4	Updated dimensions, SPL	8/9/2018	C.E.
Impedance	4	Ω				
Cone Material	Mylar		NOTES			
Mount Type	Frame Mount		1) All dimensions are in mm unless otherwise noted			
IP Rating	IP67		2) All tolerances are ± 0.5 mm unless otherwise noted			
Storage Temperature	-20 ~ +55	°C	3) All parts meet RoHS			
Operating Temperature	-20 ~ +55	°C	4) Subject to change or redrawn without notice			
Weight	42.5	g				