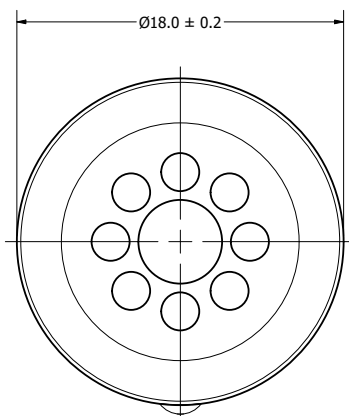
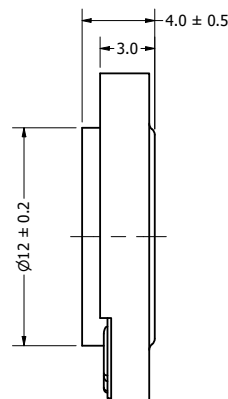


Part Number:	<b>SW181004-1</b>	
	DRAWN	3/10/2017
	CHECKED	10/6/2017
Description:	P.D.	10/6/2017
	APPROVED	10/6/2017
	C.E.	
<small>This document contains data proprietary to DB Unlimited. Any use or reproduction, in any form, without prior written permission of DB Unlimited is prohibited. All terms and conditions can be found at <a href="http://www.dbunlimitedco.com">www.dbunlimitedco.com</a></small>		

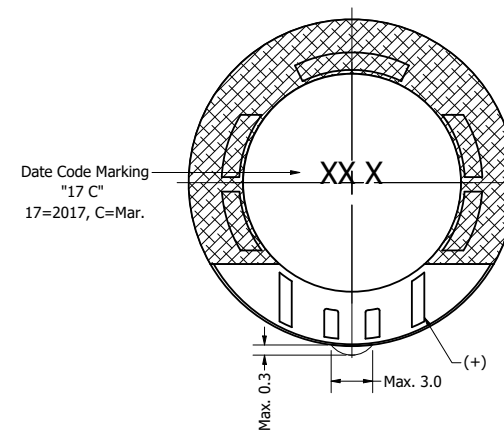
Top View



Side View



Bottom View



				REVISION HISTORY			
Items	Specifications	Conditions	REV	DESCRIPTION	DATE	APPROVED	
Sound Pressure Level	92	dB (@ 10cm), Avg.		Released from Engineering	10/6/2017	C.E.	
Resonant Frequency	900	Hz	1	Added polarity marking	10/25/2017	C.E.	
Frequency Range	900 ~ 10,000	Hz	2	Update height, add detail to bottom view	3/21/2018	C.E.	
Nominal Power	1	W	3	Update frequency range, resonant frequency	4/10/2018	C.E.	
Max. Power	1.2	W	4	Updated height tolerance	4/20/2018	C.E.	
Impedance	4	Ω	5	Updated height, general tolerance	4/26/2018	C.E.	
Cone Material	Mylar						
Mount Type	Flush Mount						
IP Rating	IP67						
Storage Temperature	-20 ~ +55	°C					
Operating Temperature	-20 ~ +55	°C					
Weight	2.04	g					
				NOTES			
				1) All dimensions are in mm unless otherwise noted			
				2) All tolerances are ± 0.5 mm unless otherwise noted			
				3) All parts meet RoHS			
				4) Subject to change or redrawn without notice			