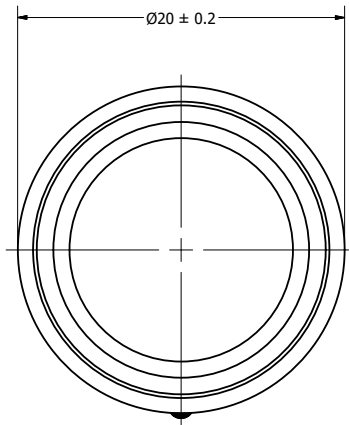
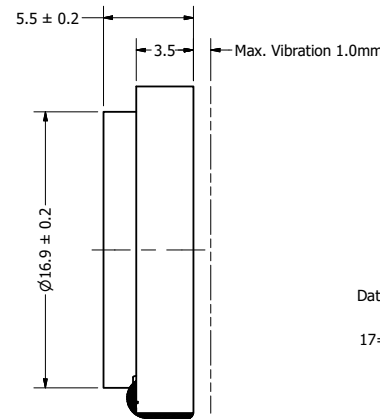


Part Number:	SW200508-1	
	DRAWN	3/10/2017
	CHECKED	10/2/2017
Description:	P.D.	10/2/2017
	APPROVED	10/2/2017
	C.E.	
<small>This document contains data proprietary to DB Unlimited. Any use or reproduction, in any form, without prior written permission of DB Unlimited is prohibited. All terms and conditions can be found at www.dbunlimitedco.com</small>		

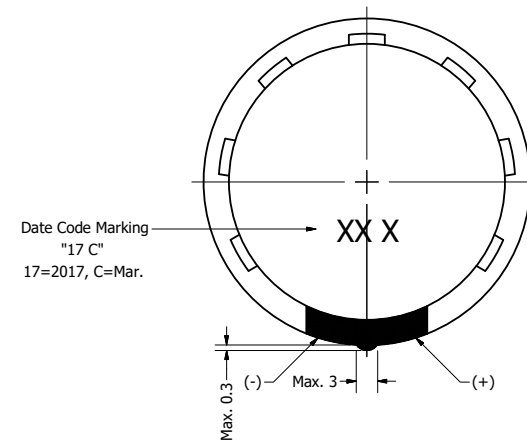
Top View



Side View



Bottom View



Items	Specifications	Conditions	REVISION HISTORY			
Sound Pressure Level	85	dB (@ 10cm), Avg.	REV	DESCRIPTION	DATE	APPROVED
Resonant Frequency	800	Hz	1	Released from Engineering	10/2/2017	C.E.
Frequency Range	800 ~ 10,000	Hz	2	Update markings	2/28/2018	C.E.
Nominal Power	1.5	W		Update resonant freq, range, and add detail on bottom view	5/4/2018	C.E.
Max. Power	2	W				
Impedance	8	Ω				
Cone Material	PU + PEI					
Mount Type	Flush Mount					
IP Rating	IP67					
Storage Temperature	-20 ~ +55	°C				
Operating Temperature	-20 ~ +55	°C				
Weight	4.02	g				

- NOTES
- 1) All dimensions are in mm unless otherwise noted
 - 2) All tolerances are ± 0.2 mm unless otherwise noted
 - 3) All parts meet RoHS
 - 4) Subject to change or redrawn without notice