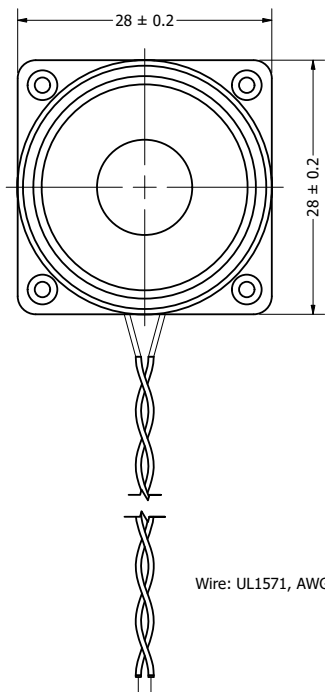
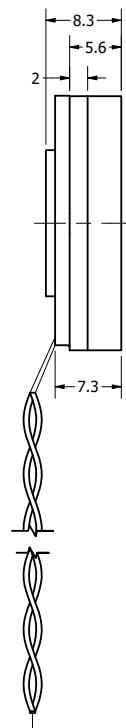


Part Number: SW280408-1	DRAWN CJ	3/10/2017
	CHECKED P.D.	10/5/2017
	APPROVED C.E.	10/5/2017
Description: Waterproof Dynamic Speaker		
This document contains data proprietary to DB Unlimited. Any use or reproduction, in any form, without prior written permission of DB Unlimited is prohibited. All terms and conditions can be found at www.dbunlimitedco.com		

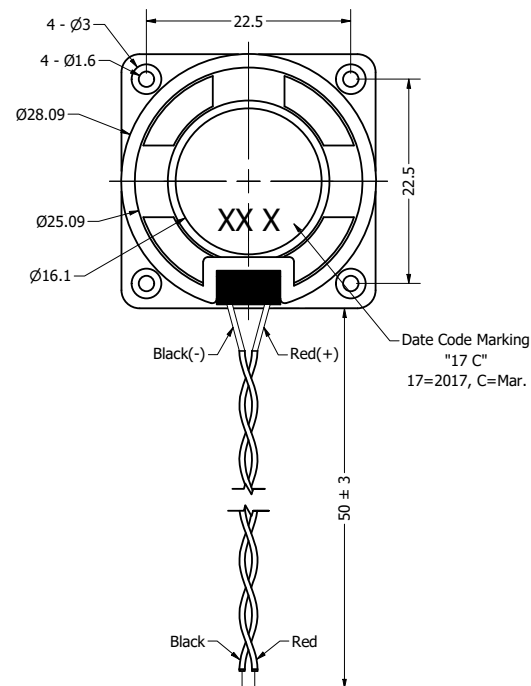
Top View



Side View



Bottom View



Wire: UL1571, AWG#32

Items	Specifications	Conditions
Sound Pressure Level	90	dB (@ 10cm), Avg.
Resonant Frequency	480	Hz
Frequency Range	480 ~ 10,000	Hz
Nominal Power	1.5	W
Max. Power	2	W
Impedance	8	Ω
Cone Material	Mylar	
Mount Type	Frame Mount	
IP Rating	IP67	
Storage Temperature	-20 ~ +55	°C
Operating Temperature	-20 ~ +55	°C
Weight	7.3	g

REVISION HISTORY

REV	DESCRIPTION	DATE	APPROVED
1	Released from Engineering	10/5/2017	C.E.
2	Added polarity marking	10/25/2017	C.E.
3	Update markings	2/28/2018	C.E.
4	Added mounthing hole dimensions	9/3/2019	C.E.
	Updated Resonant Frequency	3/25/2020	J.S.

NOTES

- 1) All dimensions are in mm unless otherwise noted
- 2) All tolerances are ± 0.3 mm unless otherwise noted
- 3) All parts meet RoHS
- 4) Subject to change or redrawn without notice