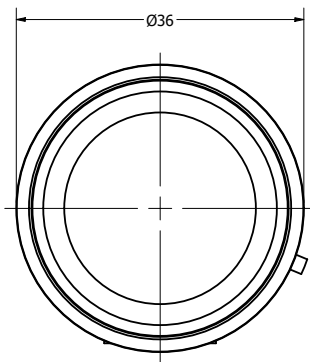
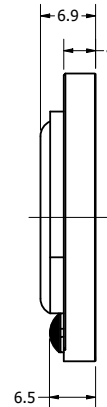


Part Number:	SW360308-1	
	DRAWN	CJ 3/24/2017
	CHECKED	P.D. 10/2/2017
Description:	Waterproof Dynamic Speaker	
	APPROVED	C.E. 10/2/2017
<small>This document contains data proprietary to DB Unlimited. Any use or reproduction, in any form, without prior written permission of DB Unlimited is prohibited. All terms and conditions can be found at www.dbunlimitedco.com</small>		

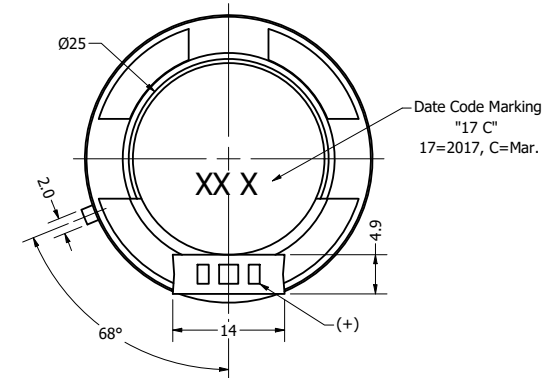
Top View



Side View



Bottom View



Items	Specifications	Conditions	REVISION HISTORY			
			REV	DESCRIPTION	DATE	APPROVED
Sound Pressure Level	93	dB (@ 10cm), Avg.		Released from Engineering	10/2/2017	C.E.
Resonant Frequency	500	Hz		Added polarity marking	10/25/2017	C.E.
Frequency Range	500 ~ 10,000	Hz	1	Update markings	2/28/2018	C.E.
Nominal Power	2	W	2	Updated resonant frequency and range	4/30/2018	C.E.
Max. Power	2.5	W	3	Updated temperatures	2/15/2019	C.E.
Impedance	8	Ω	4	Updated terminal board	7/22/2022	P.D.
Cone Material	Mylar		5			
Mount Type	Flush Mount					
IP Rating	IP67					
Storage Temperature	-20 ~ +70	°C				
Operating Temperature	-20 ~ +70	°C				
Weight	13.5	g				

- NOTES**
- 1) All dimensions are in mm unless otherwise noted
 - 2) All tolerances are ± 0.3 mm unless otherwise noted
 - 3) All parts meet RoHS
 - 4) Subject to change or redrawn without notice