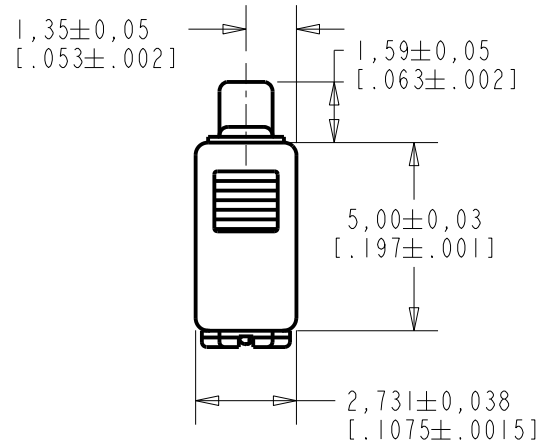


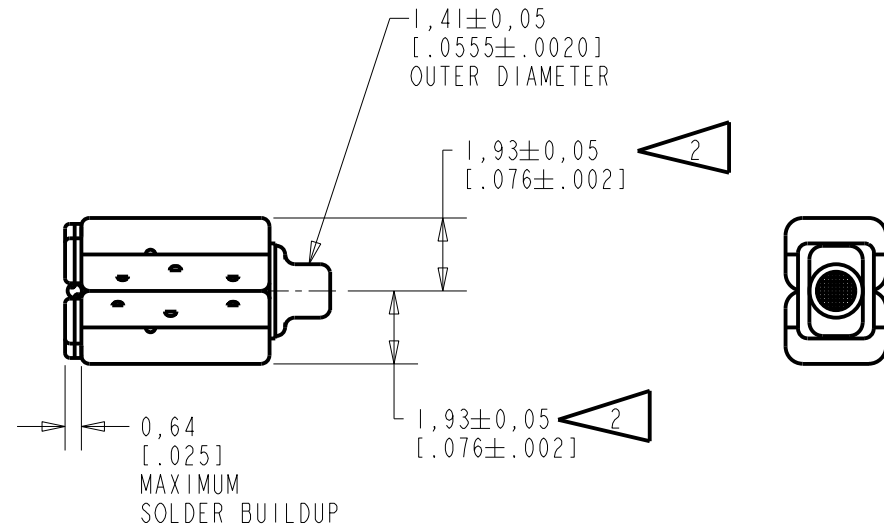
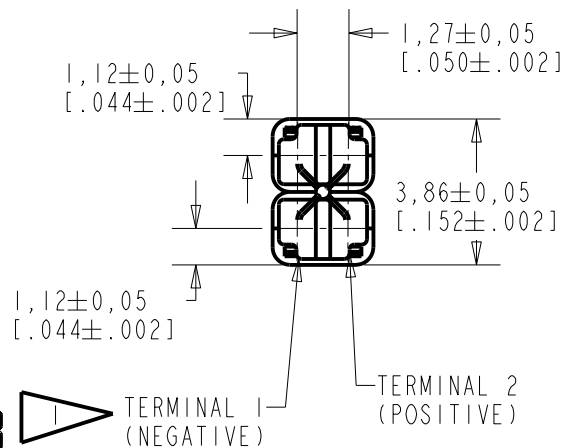
SWFK-32254-000
SHT 1.1



NOTES:

- 1 A POSITIVE GOING VOLTAGE AT TERMINAL 2, RELATIVE TO TERMINAL 1, CAUSES A DECREASE IN PRESSURE AT THE SOUND OUTLET.
- 2 LOCATED FROM TWO SURFACES FOR CUSTOMER CONVENIENCE. ONLY APPLICABLE FROM ONE SURFACE, NOT TO BE USED TOGETHER.

RED CONTROLLED



SCALE 2:1
NOMINAL WEIGHT 0.19 GRAMS
DIMENSIONS IN MILLIMETERS [INCHES]

Revision	C.O. #	Implementation Date	RELEASE LEVEL	REVISION
A	PI0000067	7-14-15	Active	A

SCALE:	5:1	DR. BY	DATE
DO NOT SCALE DRAWING		LW	7-14-15
TITLE:	RECEIVER	CK. BY	DATE
OUTLINE DRAWING	SWFK-32254-000	GJP	7-16-15
	SHT 1.1	APP. BY	DATE
		GJP	7-16-15

KNOWLES ELECTRONICS
ITASCA, ILLINOIS U.S.A.

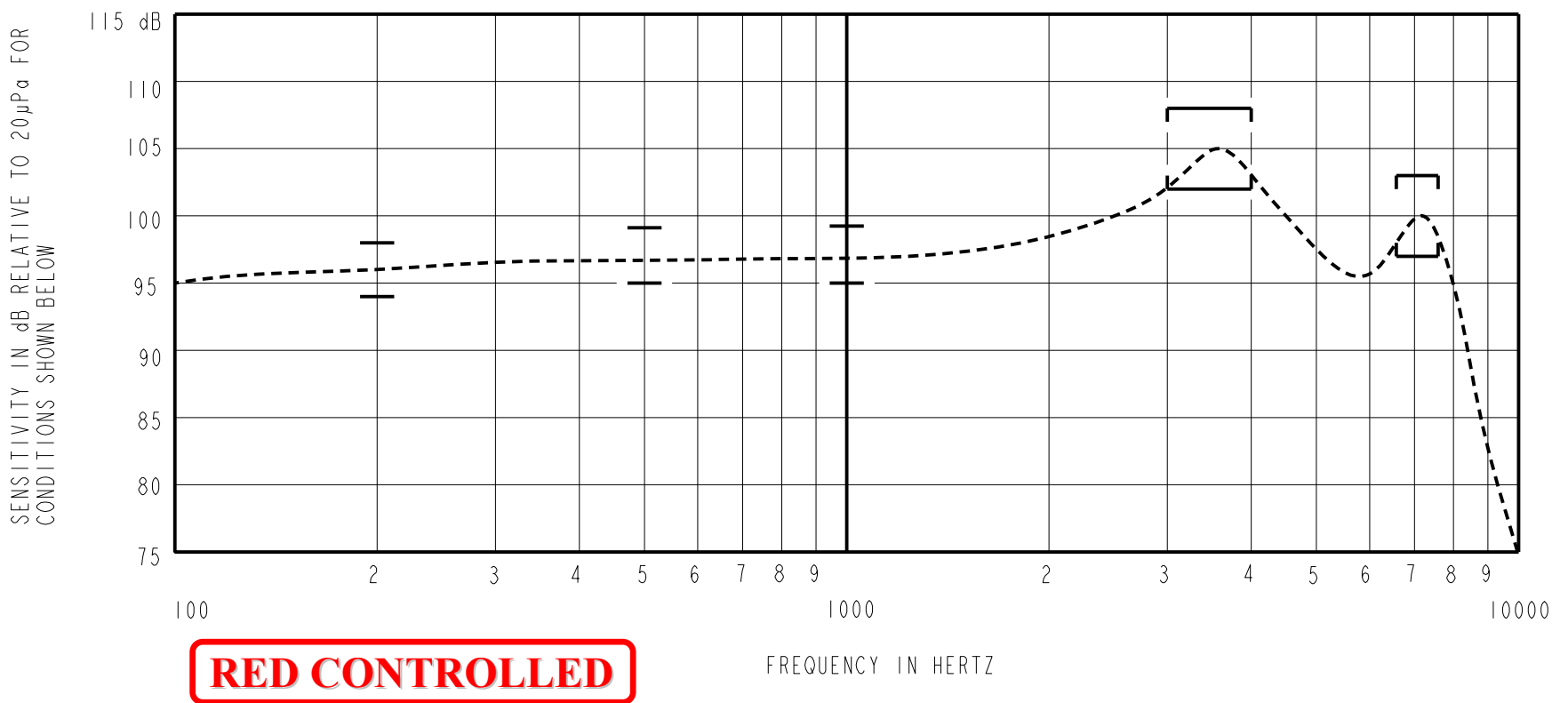
A PAIR OF MAGNETIC BALANCED ARMATURE RECEIVERS WITH TAPERED REED INTENDED FOR USE AS THE HIGH FREQUENCY DRIVER IN A HI-FI SYSTEM.

TYPE 1

SWFK-32254-000

SHEET 2.1

NOTE: SPECIFICATIONS FOLLOWED BY AN ASTERISK (*) ARE 100% TESTED.
CONSTANT VOLTAGE DRIVE CONDITIONS.



ACOUSTICAL

SENSITIVITY

DEVICE WILL PRODUCE THE SPL LISTED BELOW UNDER TEST CONDITIONS DESCRIBED IN TABLE 3.
NOMINAL SENSITIVITY AT 1kHz IS dB RELATIVE TO 20µPa. ALL OTHER VALUES IN dB RELATIVE TO THE SENSITIVITY AT 1kHz.

FREQUENCY (Hz)	MINIMUM	NOMINAL	MAXIMUM
200	-3.0	-1.0	+1.0
500	-2.0	0.0	+2.0
1000	-2.0	97.0	+2.0
3000-4000 PEAK	+5.0	+8.0	+11.0
6600-7600 PEAK	0.0	+3.0	+6.0

TABLE 1

TOTAL HARMONIC DISTORTION

DEVICE WILL NOT EXCEED TOTAL HARMONIC DISTORTION LEVELS LISTED BELOW.

FREQUENCY (Hz)	AC DRIVE (V rms)	DC BIAS (V)	LIMIT (%)
1166	.094	0	5
1750	.094	0	5
1750	.265	0	10

TABLE 2

TEST CONDITIONS

NOMINAL SOURCE VOLTAGE	0.94 V rms, 0 mA DC BIAS
SOURCE IMPEDANCE	<0.2 Ohm
TUBING	10 mm [.394"] LONG, 1mm [.039"] I.D.
COUPLER CAVITY	2 CM ³ , SIMULATED ANSI S3.7 TYPE HA-3 (IEC 60318-5)

TABLE 3

ELECTRICAL

DC RESISTANCE	6.3 Ohms ± 10%	
IMPEDANCE @ 500 Hz	6.8 Ohms ± 20%	MEASURED WITH 5.8 mArms, 0dc DRIVE
IMPEDANCE @ 1kHz	7.2 Ohms ± 20%	MEASURED WITH 5.8 mArms, 0dc DRIVE

TABLE 4

ISOLATION: CASE WILL BE ELECTRICALLY ISOLATED FROM THE COIL CIRCUIT.

MECHANICAL

PORT LOCATION: 12S
SOLDER TYPE: SAC305
TEMPERATURE
OPERATING: SENSITIVITY WILL NOT VARY MORE THAN +1 / -3 dB FROM -17°C TO 63°C.
STORAGE: -40°C TO 63°C.

Revision	C.O. #	Implementation Date	RELEASE LEVEL	REVISION
A	PI0000067	7-14-15	Active	A

KNOWLES ELECTRONICS
ITASCA, ILLINOIS U.S.A.

WHEN TEST LIMITS ARE USED TO ESTABLISH INCOMING INSPECTION ACCEPTANCE/REJECTION CRITERIA, CORRELATION OF TEST EQUIPMENT WITH KNOWLES IS ALSO REQUIRED FOR ELIMINATION OF EQUIPMENT AND TEST METHOD VARIATION

TITLE: **RECEIVER**
PERFORMANCE SPECIFICATION




SWFK-32254-000
SHT 2.1

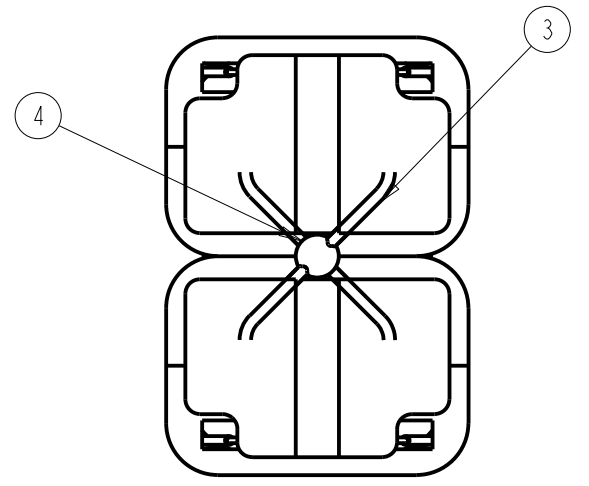
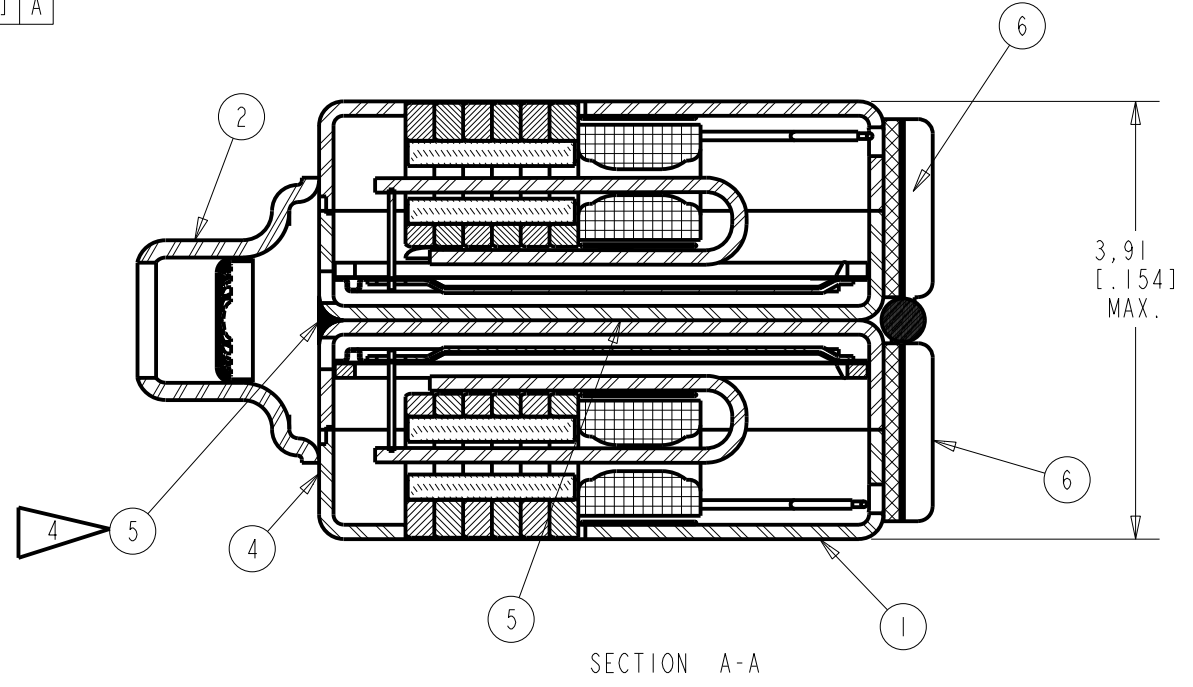
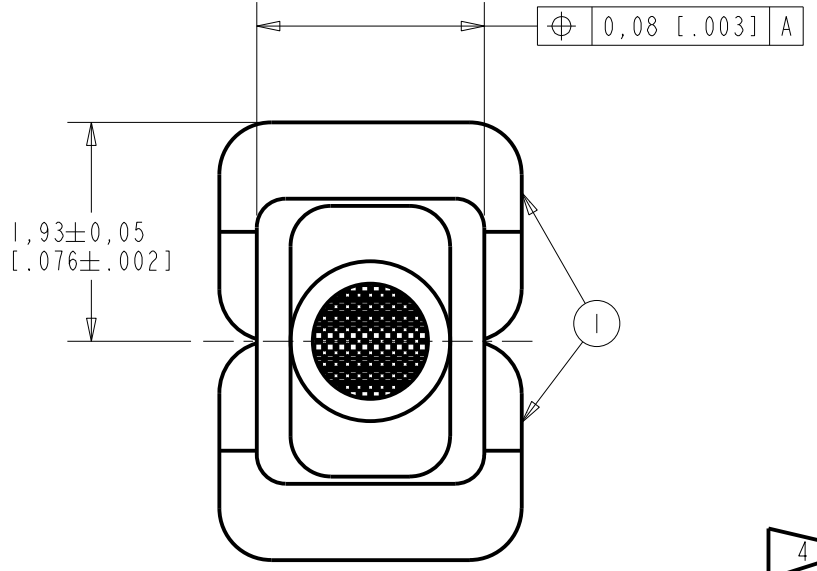
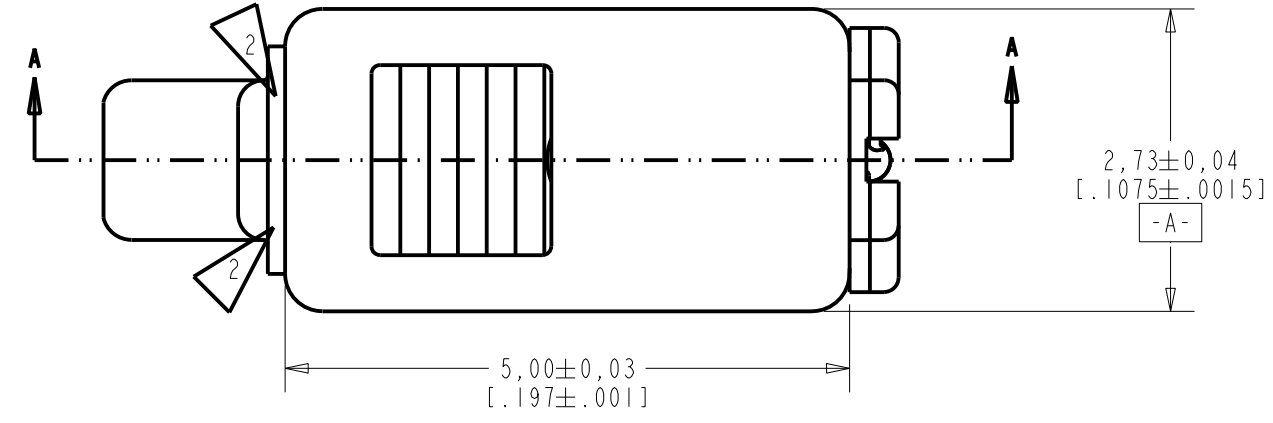
DR. BY	DATE
LW	7-14-15
CK. BY	DATE
GJP	7-16-15
APP. BY	DATE
GJP	7-16-15

SWFK-32254-000


RED CONTROLLED

PROPRIETARY NOTE: THIS DOCUMENT CONTAINS INFORMATION WHICH IS THE PROPRIETARY PROPERTY OF KNOWLES ELECTRONICS, LLC. OR ITS AFFILIATED ENTITIES. IT IS ISSUED IN STRICT CONFIDENCE AND SHALL NOT BE REPRODUCED, COPIED, USED, OR DISCLOSED TO ANY THIRD PARTY PARTIALLY OR WHOLLY IN ANY MANNER WITHOUT PRIOR WRITTEN PERMISSION OF, AND MUST BE RETURNED UPON REQUEST BY, KNOWLES ELECTRONICS, LLC.

- NOTES:
- ITEM NUMBERS (SHOWN THUS ) CORRESPOND TO ITEM NUMBER ON BILL OF MATERIAL.
 -  AIRTIGHT SEAL ALL AROUND.
 - THIS ASSEMBLY IS GLUED TOGETHER AND THE TUBE IS WELDED TO THE CUPS.
 -  SEAL JOINT ACROSS FRONT OF RECEIVER.



DIMENSIONS IN MILLIMETERS [INCHES]

MATERIAL SEE BILL OF MATERIAL		FINISH ---	RELEASE LEVEL Active	REVISION A
REF. NONE	A C.O. P10000067	UNLESS OTHERWISE SPECIFIED, DIMENSIONS ARE IN INCHES	SCALE: 15:1	DO NOT SCALE DRAWING
THIRD ANGLE PROJECTION 			KNOWLES ELECTRONICS ITASCA, ILLINOIS U.S.A.	
TITLE RECEIVER ASSEMBLY		SHEET 3.1		SWFK-32254-000

SWFK-32254-000			KNOWLES ELECTRONICS		SWFK-32254-000	
Sheet 4.1			ITASCA, ILLINOIS U.S.A.		Sheet 4.1	
Dr.	By	Date	Subject:	RECEIVER ASSEMBLY	Revision	A
Ch.	GJP	7-14-15			Release Level	
App.	GJP	7-16-15			Active	

COL. 1	2	3	4	Item No.	Line No.
Part or Dwg. no.	Tot. Req.	Nomenclature:	Applicable Specs or Remarks		
WBFK-31142-000	2	RECEIVER ASSEMBLY		1	1
FH-172-022	1	TUBE ASSEMBLY		2	2
103-012	A/R	WIRE		3	3
13-825-3145	A/R	CEMENT		4	4
13-637	1	LOCTITE 496 CEMENT		5	5
285-007-221	1	SOLDER LEAD FREE		6	6

RED CONTROLLED

REVISION	A	P10000067	SWFK-32254-000 Sheet 4.1
	<small>PROPRIETARY NOTE: THIS DOCUMENT CONTAINS INFORMATION WHICH IS THE PROPRIETARY PROPERTY OF KNOWLES ELECTRONICS, LLC. OR ITS AFFILIATED ENTITIES. IT IS ISSUED IN STRICT CONFIDENCE AND SHALL NOT BE REPRODUCED, COPIED, USED, OR DISCLOSED TO ANY THIRD PARTY PARTIALLY OR WHOLLY IN ANY MANNER WITHOUT PRIOR WRITTEN PERMISSION OF, AND MUST BE RETURNED UPON REQUEST BY, KNOWLES ELECTRONICS, LLC.</small>		
	<small>REV: D</small>		