

Class T 300V open fuse blocks



Materials

- Phenolic
- Glass polyester on 600A

UL Flammability

- 94 VO

Recommended fuses:

- JJN (see data sheet no. 1025)

Catalog symbol:

- T300_

Description:

A range of open 1-, 2- and 3-pole blocks for Class T fuses.

Specifications:

Ratings

- Volts: 300V
- Amps: 1/2-600A
- Withstand rating: 200kA RMS Sym.

Agency information

- UL® Listed, UL 512, Guide IZLT, File E14853
- CSA® Certified, C22.2 No. 39, Class 6225-01, File 47235
- CE
- RoHS compliant



Catalog numbers:

Amps	Poles	Catalog numbers/terminals		Figure number	Wire range
		Screw	Box lug		
1/2-30	2	T30030-2SR	T30030-2CR	1	SR #10 Cu, CR #6-14 Cu-Al
	3	T30030-3SR	T30030-3CR		
	4	T30030-4SR	T30030-4CR		
31-60	2	T30060-2SR	T30060-2CR	1	SR #12 Al, CR#2-14 Cu
	3	T30060-3SR	T30060-3CR		
	4	T30060-4SR	T30060-4CR		
61-100	1	—	T30100-1CR	2	1/0-#8 Cu-Al
	2	—	T30100-2CR		
	3	—	T30100-3CR		
101-200	1	—	T30200-1C	3a	250kcmil- #6 Cu-Al
	3	—	T30200-3C	3b	
201-400	1	—	T30400-1C	4	600kcmil-2/0 Cu-Al
401-600	1	—	T30600-1C	5	(2) 600kcmil-4/0 Cu-Al

Dimensions – in:

Figure 1. 1/2 to 60A

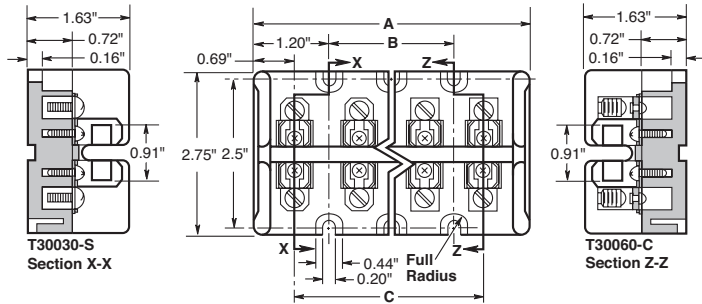
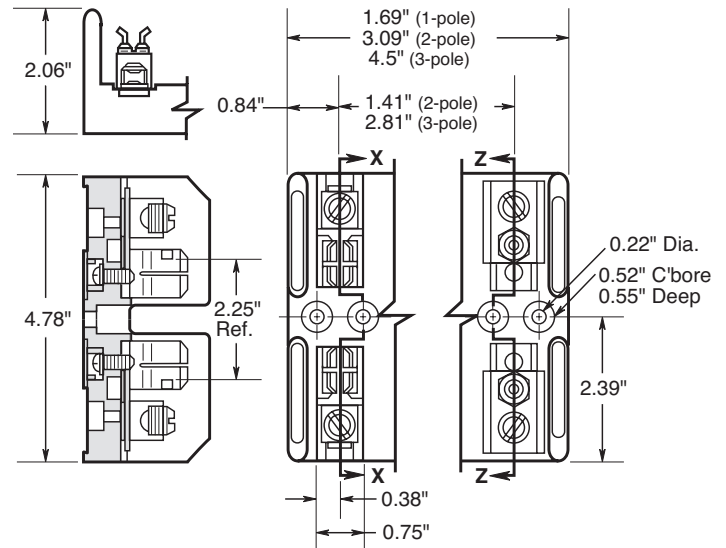


Figure 2. 61 to 100A



Amps	Poles	Dimensions - in		
		A	B	C
30	2	2.41	—	1.03
60				
30	3	3.44	1.03	2.06
60				
30	4	4.47	2.06	3.09
60				

Dimensions, 101 to 200A:

Figure 3A.

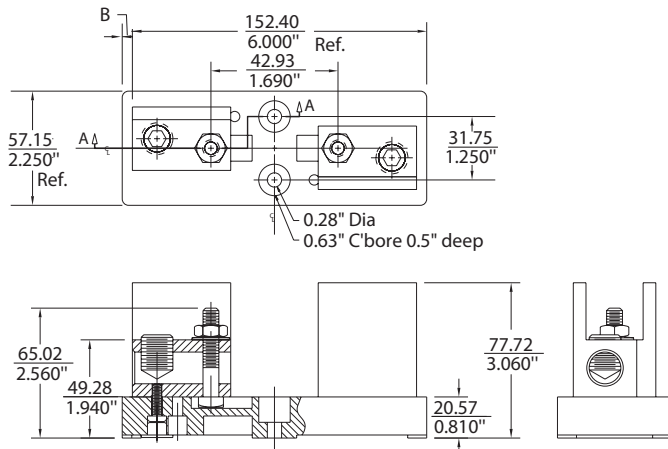
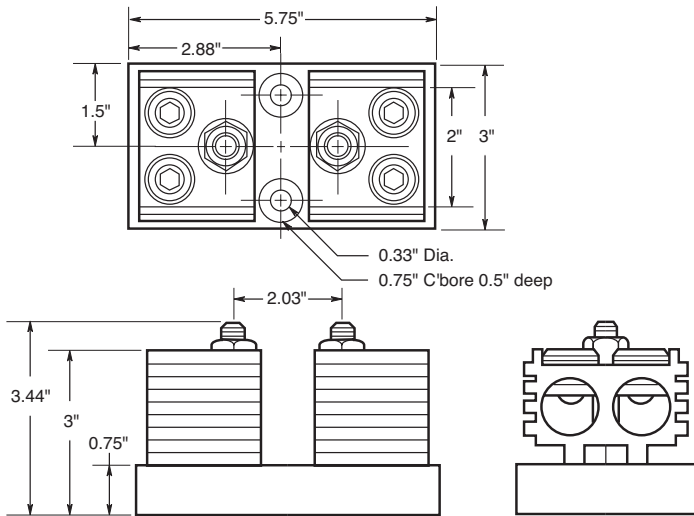
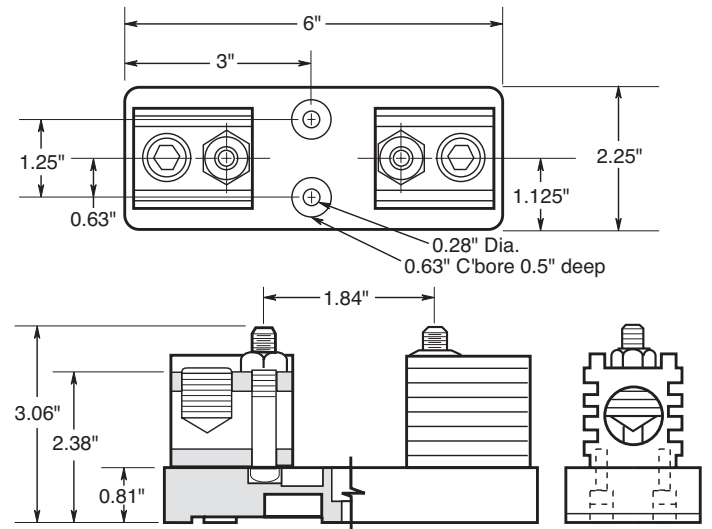


Figure 3B.



Dimensions, 201 to 400A:

Figure 4.



Dimensions, 401 to 600A - in(±0.016):

Figure 5.

