



FTF | FREESCALE
TECHNOLOGY
FORUM 2014

A Deep Dive on the **QorIQ T2080** Processor

FTF-NET-F0032

Chun Chang | Application Engineer

April 2014



External Use

Freescale, the Freescale logo, AMVe, C-5, CodeTEST, CodeWorx, ColdFire, ColdFire+, C-Ware, the Energy Efficient Solutions logo, Kinetic, mobileGT, PEG, PowerQUICC, Processor Expert, QorIQ, Qorliva, SafeAssure, the SafeAssure logo, StarCore, Symphony and VortiQs are trademarks of Freescale Semiconductor, Inc., Reg. U.S. Pat. & Tm. Off. Airfast, BeeKit, BeeStack, CoreNet, Flexis, Layerscape, MagniV, NXP, Platform in a Package, QorIQ Converge, QUICC Engine, Ready Play, SMARTMOS, Tower, TurboLink, UMENS, Hybrid and Xtremic are trademarks of Freescale Semiconductor, Inc. All other product or service names are the property of their respective owners. © 2014 Freescale Semiconductor, Inc.



Agenda

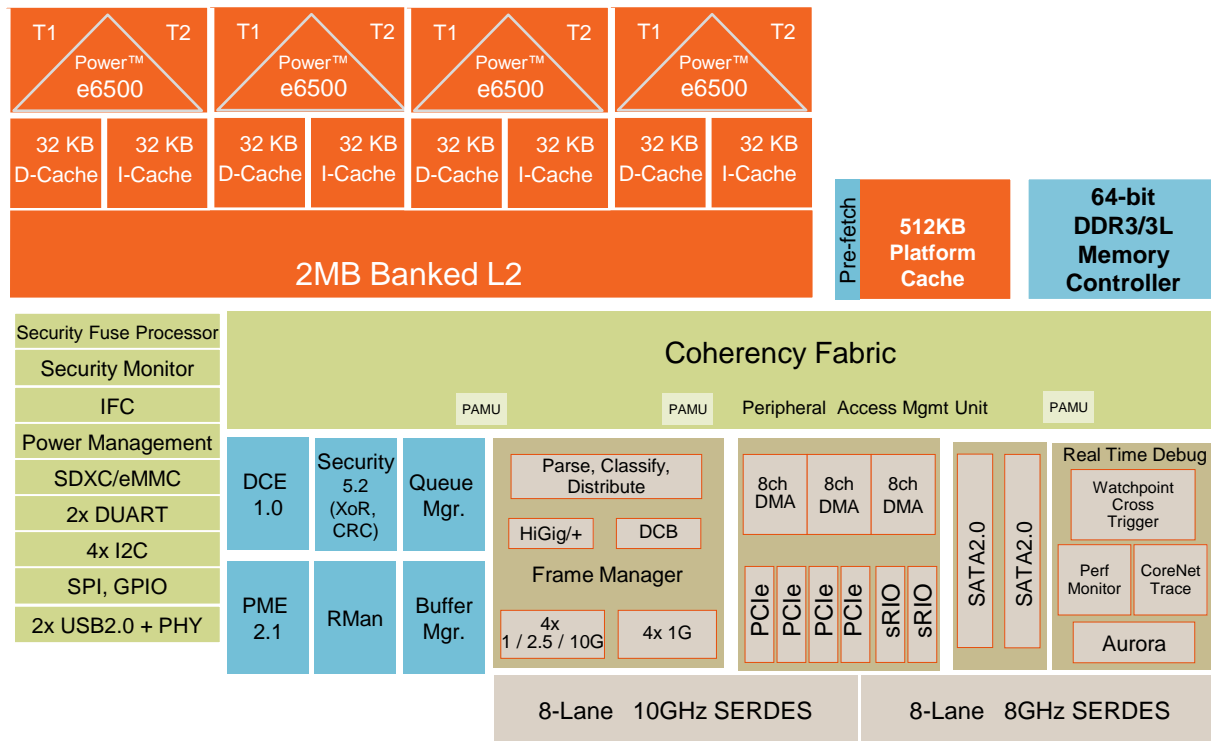
- T2080/1 Overview
- e6500 Core and Cache Hierarchy
- Power Management
- CoreNet Coherency Fabric Switch
- Data Path Acceleration Architecture (DPAA)
- SerDes Options
- Voltage ID
- eSDHC
- PCI Express
- Enablement
- Conclusion

Agenda

- T2080/1 Overview
 - T2080 Block Diagram
 - T2081 Block Diagram
 - Duad Cores comparison



QorIQ T2080 Block Diagram



Datapath Acceleration

- **SEC**- crypto acceleration 10Gbps
- **DCE** - Data Compression Engine 17.5Gbps
- **PME** – Pattern Matching Engine to 10Gbps

Processor

- 4x e6500, 64b, 1.2 - 1.8GHz
- Dual threaded, with 128b Altivec
- 2MB shared L2; 256KB per thread

Memory Subsystem

- 512KB Platform Cache w/ECC
- 1x DDR3/3L Controllers up to 2.1GHz
- Up to 1TB addressability (40 bit physical addressing)
- HW Data Pre-fetching

Switch Fabric

High Speed Serial IO

- 4 PCIe Controllers: one at Gen3, three at Gen2
 - 1 with SR-IOV support
 - x8 Gen2
- 2 sRIO Controller
 - Type 9 and 11 messaging
 - Interworking to DPAA via RMan
- 2 SATA 2.0 3Gb/s
- 2 USB 2.0 with PHY

Network IO

- Up to 25Gbps Simple PCD each direction
 - 4x1/10GE, 4x1GE or 2.5Gb/s SGMII
 - XFI, 10GBase-KR, XAUI, HiGig, HiGig+, SGMII, RGMII, 1000Base-KX

Device

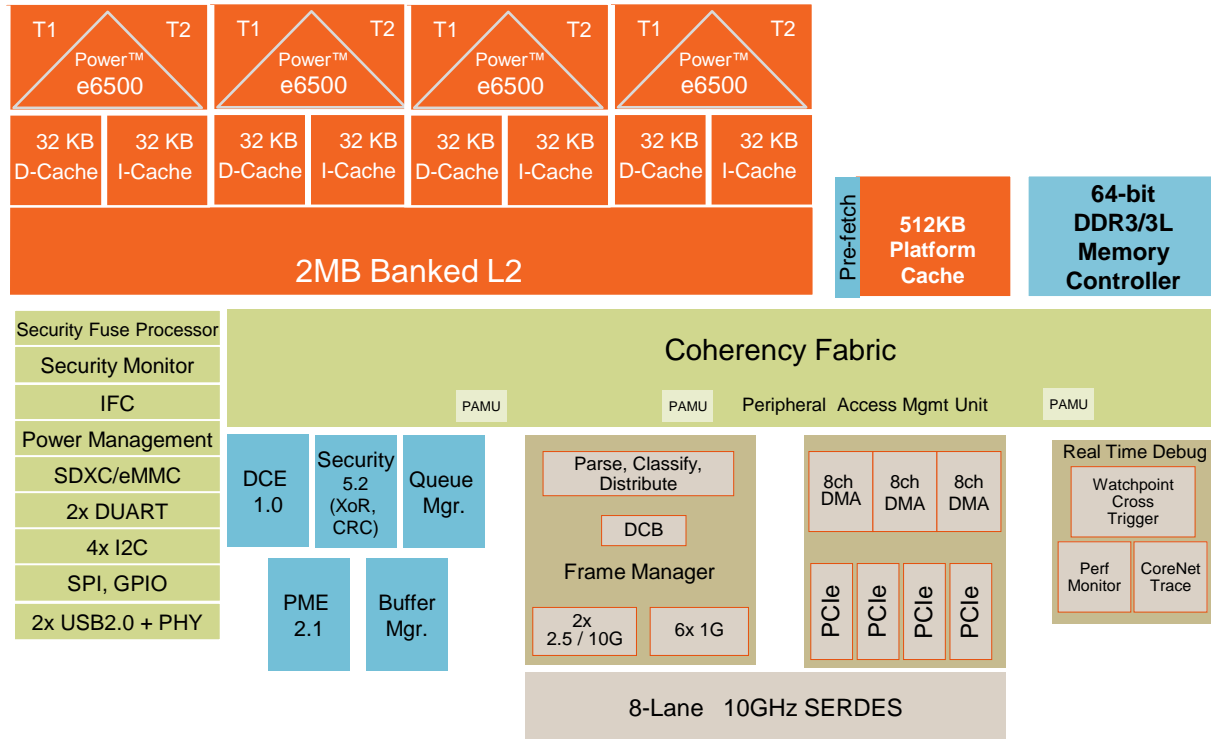
- TSMC 28HPM Process
- 25x25mm, 896 pins, 0.8mm pitch
- Power estimated at 15.2 – 25.2W (thermal) depending on frequency

Schedule: Q3-2013 (alpha); mid-2014 qual





QorIQ T2081 Block Diagram



Datapath Acceleration

- **SEC**- crypto acceleration 10Gbps
- **DCE** - Data Compression Engine 17.5Gbps
- **PME** – Pattern Matching Engine to 10Gbps

Processor

- 4x e6500, 64b, 1.5 - 1.8GHz
- Dual threaded, with 128b Altivec
- 2MB shared L2; 256KB per thread

Memory Subsystem

- 512KB Platform Cache w/ECC
- 1x DDR3/3L Controllers up to 2.1GHz
- Up to 1TB addressability (40 bit physical addressing)
- HW Data Pre-fetching

Switch Fabric

High Speed Serial IO

- 4 PCIe Controllers: one at Gen3, three at Gen2
 - 1 with SR-IOV support
 - x8 Gen2

- 2 USB 2.0 with PHY

Network IO

- Up to 25Gbps Simple PCD each direction
- 8 MACs multiplexed over:
 - 2x 10GE, 2x 2.5Gb/s SGMII, 7x GE
 - XFI, 10GBase-KR, SGMII, RGMII, 1000Base-KX

Device

- TSMC 28HPM Process
- 23x23mm, 780pins, 0.8mm pitch, pin compatible with T1042
- Power estimated at 18.7– 24.4W (thermal) depending on frequency

Schedule: samples: 2H-2014; qual Q1-15





Quad Cores Compared

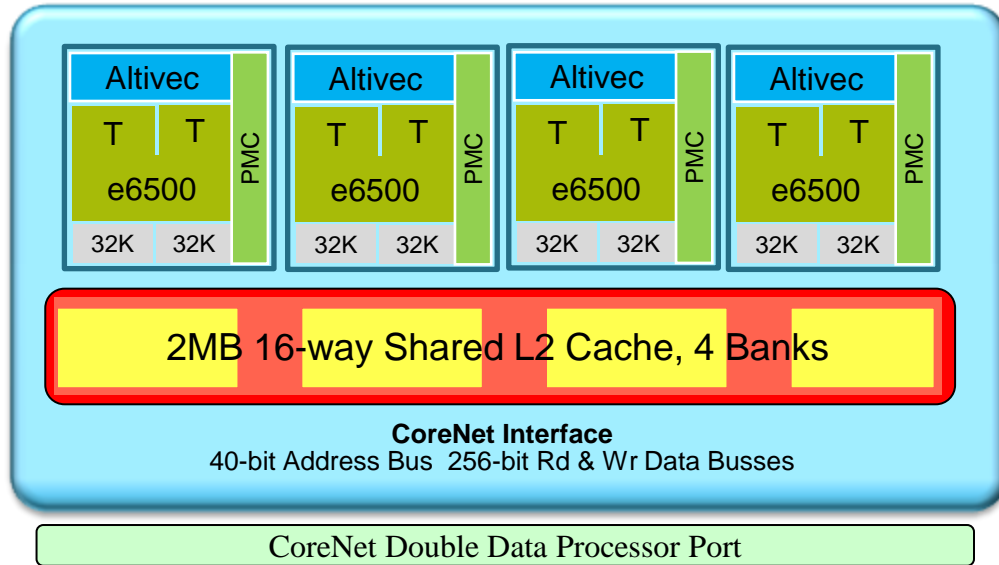
	P2040	P2041	P3041	T1042	T2081	T2080
Cores	4x e500mc, 32b	4x e500mc, 32b	4x e500mc, 32b	4x e5500, 64b	4x e6500, 64b	4x e6500, 64b
Threads	4	4	4	4	8	8
Frequency	667MHz – 1.2GHz	1.2 - 1.5GHz	1.2 - 1.5GHz	1.2 - 1.4GHz	1.5 - 1.8GHz	1.2 - 1.8GHz
L2	None	512kB	512kB	1MB	2MB	2MB
L3	1MB	1MB	1MB	256kB	512kB	512kB
DDR	1x DDR3/3L to 1200MT/s	1x DDR3/3L to 1333MT/s	1x DDR3/3L to 1333MT/s	1x DDR3L/4 to 1333MT/s	1x DDR3/3L to 2133MT/s	1x DDR3/3L to 2133MT/s
SerDes	10 to 5GHz	10 to 5GHz	18 to 5GHz	8 to 5GHz	8 to 10GHz	16 to 10GHz
Enet	5x 1GE	10GE + 5x 1GE	10GE + 5x 1GE	5x 1GE	2x 1/10GE + 5x 1GE	4x 1/10GE + 4x 1GE
PCIe Cntrls	3 at Gen2	3 at Gen2	3 at Gen2	4 at Gen2	3 at Gen2 + 1 at Gen3	3 at Gen2 + 1 at Gen3
SATA2.0	2	2	2	2	No	2
USB2.0	2 w/ int. PHY	2 w/ int. PHY	2 w/ int. PHY	2 w/ int. PHY	2 w/ int. PHY	2 w/ int. PHY
SRIO/Rman	2	2	2	No	No	2
Aurora	Yes	Yes	Yes	Yes	No	Yes
TDM/HDLC	No	No	No	2	No	No
Acceleration	SEC, PME	SEC, PME	SEC, PME	SEC, PME, QE	SEC, PME, DCE	SEC, PME, DCE

Agenda

- T2080/1 Overview
- e6500 Core and Cache Hierarchy
 - e6500 Core Diagram
 - e6500 Pipeline
 - Additional e6500 Enhancements
 - Multi-threading Implementation
 - Load-Store / L1 Data Cache
 - Shared L2 Cache
 - Platform L3 Cache



e6500 Core Complex



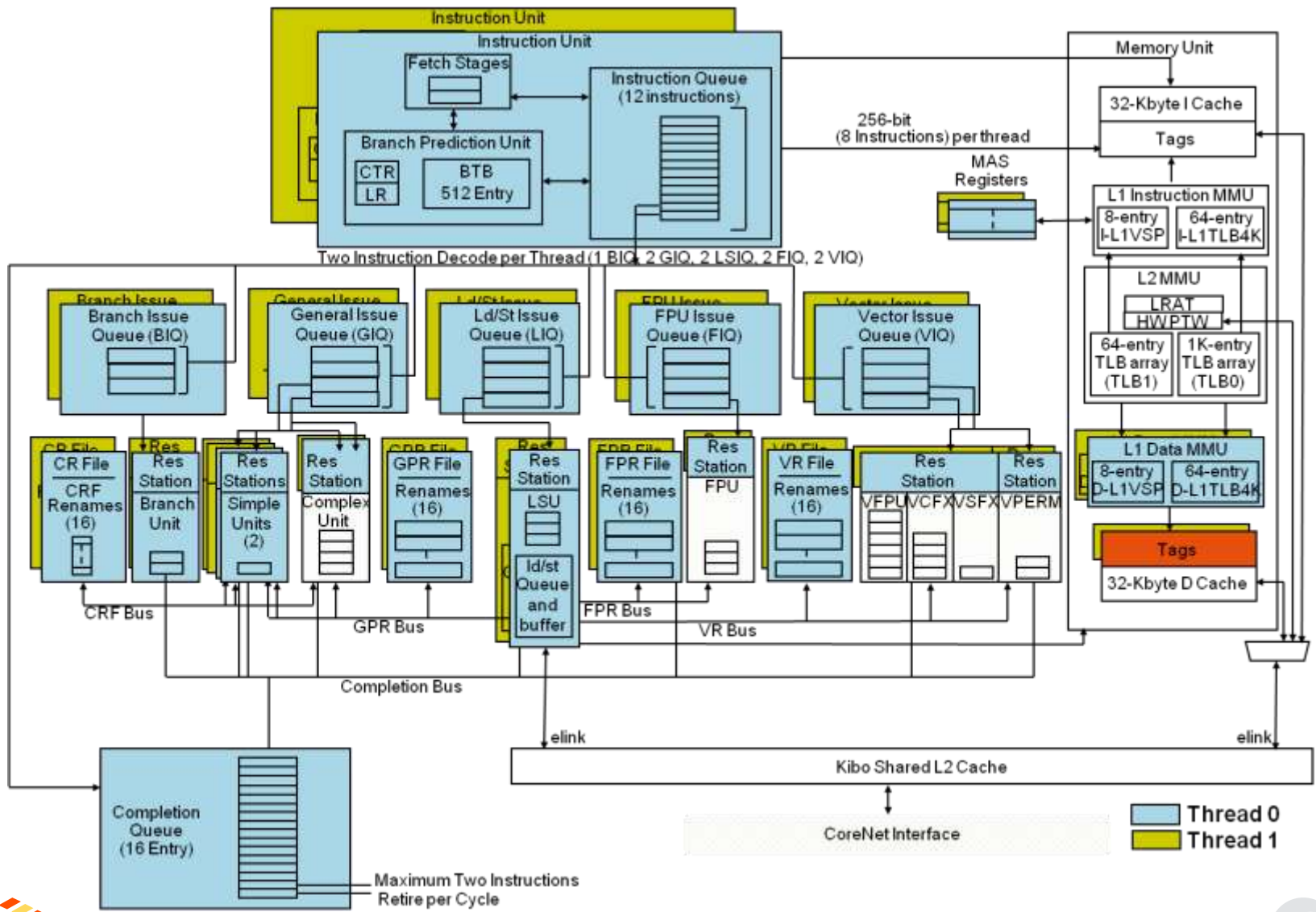
- 64-bit Power Architecture
- Up to 1.8 GHz operation
- Two threads per core
- Dual load/store units, one per thread
- 40-bit Real Address
 - 1 Terabyte physical address space
- Hardware Table Walk
- L2 in cluster of 4 cores
 - Supports Share across Cluster
 - Supports L2 memory allocation to core or thread
- Power Management
 - Drowsy: Core, Cluster, AltiVec
 - Wait-on-reservation instruction
 - Traditional modes
- AltiVec SIMD Unit (128b)
 - 8,16,32-bit signed/unsigned integer
 - 32-bit floating-point
 - 192 GFLOP (2GHz)
 - 8,16,32-bit Boolean
- Virtualization
 - Hypervisor
 - LRAT
 - Logical to Real Address translation mechanism for improved hypervisor performance

	P3041 2.5 DMIPS (1.5GHz)	T2080 5.4 DMIPS (1.8GHz)	Improvement from P3041
Single Thread	3750	5940	1.6x
Core (dual T)	3750	9720	2.6x
SoC	15,000	38,880	2.6x





e6500 Pipeline



Additional e6500 Enhancements

- Faster FPU: 2X faster SP, 4X faster DP over e500mc
- New Power ISA v.2.06 Instr
 - instructions for byte- and bit-level acceleration: Parity, population count, bit permute, compare bytes , FPU convert to/from 64-bit integer
- Improved Branch Prediction
 - Double BTB size
 - Better branch prediction scheme (rate increases from 95% to 98%)
- Increase number of completion entries and rename registers from 14 to 16
- Re-architected the memory subsystem
 - Shared L2 cache with write-through L1 D cache and large store gather buffer per core
 - 2X L2 cache size per core, effectively more with sharing
- 40-bit real address
- PID0 field size increases from 8 to 14 bits => supports for more threads in many core systems
- Enhanced MP Performance: Accelerated Atomic Operations, Optimized Barrier Instructions, Fast intra-cluster sharing
- LRAT: Accelerate hypervisor performance (10-15% for workloads running in OS on HV)
- New power-reduction techniques
- Drowsy core with fast wake-up (<75% power of run mode)
- Option for AltiVec
- Changes for debug architecture

Multi-threading Implementation

- Interrupts
 - Interrupts are private
 - Each thread has its own interrupt signals
- Debug
 - Almost all resources are private. Internal debug works as if they are separate cores
 - External debug has option to halt both threads when one thread debug halts
- Power Management
 - Power management control is per-thread (and the associated SoC programming model will be per-thread)
 - Actual power management will only occur when both threads reach the same power management state
 - For example, when **wait** occurs on one thread, fetching stops for that thread, but we don't go drowsy until both threads execute **wait**.

e6500 Load-Store / L1 Data Cache

- Dual Load Store Units (LSU)
 - Each LSU is dedicated to a thread
 - Separate Data MMUs and Tags
 - Shared Data Cache
- L1 Data Cache Organization
 - 32 KB
 - 8-way set associative with PLRU replacement algorithm
- Features
 - Store Gather Buffer to optimize store bandwidth
 - Store to load forwarding to reduce stalls
 - Individual line locking with persistent locks
 - Accelerated atomic operations
 - Optimized cacheable barrier instructions

e6500 Shared L2 Cache

- L2 Cache Organization
 - 2 MB
 - 4 banks of 512 KB each
 - 16-way set associative with configurable replacement algorithms
- L2 Cache Features
 - Individual line locking with persistent locks
 - Flexible way partitioning by thread
 - Allocation control for data read, data store, instruction read and stash
 - ECC protection for Data, Tag and Status

Platform L3 Cache

- Platform L3 Cache Organization
 - 512 KB
 - 16-way set associative with configurable replacement algorithms

- Platform L3 Cache Features
 - Individual line locking with persistent locks
 - Flexible way partitioning by source
 - Allocation control for data read, data store, castout, decorated read, decorated store, instruction read and stash
 - Configurable SRAM partitioning
 - ECC protection for Data, Tag and Status

Agenda

- T2080/1 Overview
- e6500 Core and Cache Hierarchy
- Power Management
 - Power Management Innovation
 - Core Power Management States
 - Cluster Power Management States
 - SOC Power Management States

e6500 Power Management Innovation

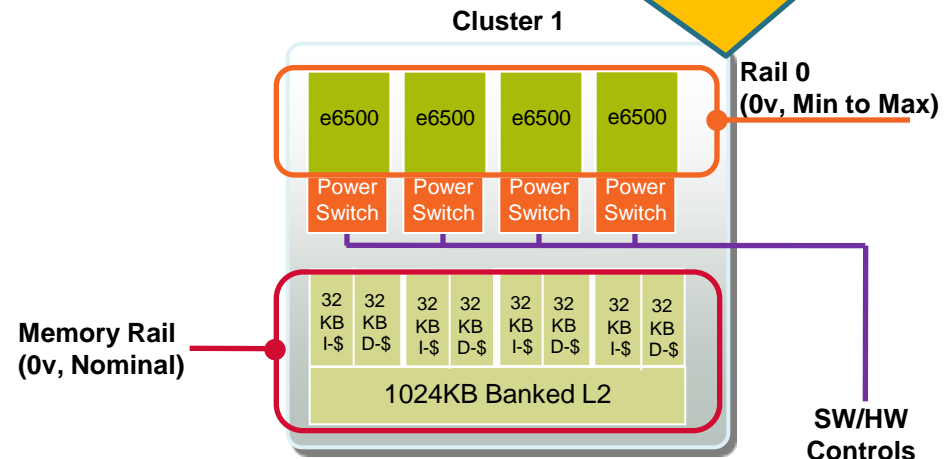
- **Wide voltage range for logic supplies to allow frequency / power tradeoff**
 - Memory arrays on a separate power supply
- **Power domain hierarchy**
 - AltiVec within core
 - Cores within cluster
 - Clusters within SoC
- **Drowsy L2 Cache**
 - Bitcell leakage reduced by ~40%
- **Drowsy Core**
 - Instantaneous wakeup response with SRPG
 - Controlled through software or waterfall power management
 - Power <75% of Run-mode
- **Deep Nap Mode**
 - State not retained
 - Power < 90% of Run-mode

Focus

- Reduce energy consumption under light loads
- Enable rapid return to fully loaded conditions

- Do not have to save/restore processor state to memory
- Greater than 10x improvement in wakeup response time

- Switch supports 3 modes
 - Full On
 - Drowsy Mode
 - Deep Nap Mode (Powered Off)



e6500 Core Power Management States

Power State	Initiated	Description
PH00	Default	Full-On. Global clocks running. Local clock gating based on unit usage and Dynamic Power Management (DPM)
PH10	SOC RCPM	Previously Doze. Global clocks running and instruction fetch is stopped. Snoops still handled
PH15	SOC RCPM	Previously Nap. Core global clocks stopped. Software must flush and invalidate caches before state entry and handle any MMU coherency issues
PH20	SOC RCPM	New State. Core PH20 mode is core power gating with state retention
PH30	SOC RCPM	New State. Core PH30 mode is core power gating without state retention. Interrupt is ignored. Return to PH00 requires a core reset.
PW10	Wait Instruction	Previously Wait. Global clocks running and instruction fetch is stopped
PW20	Wait Instruction	New State. Core global clocks stopped, power supply gated and state retained. Transition from PW10 to PW20 occurs completely under hardware control with no software intervention. Fast wake up based on hardware events.

e6500 Cluster Power Management States

Power State	Initiated	Description
PCL00	Default	Full-On. Global clocks running. Local clock gating based on unit usage and Dynamic Power Management (DPM)
PCL10	SOC RCPM	Clock distribution is inhibited to cluster functional unit, Clock distribution is inhibited to cluster functional unit. The L2 cache no longer continues to participate in snooping activities. Software should always flush, and then invalidate the L2 cache prior to initiating PCL10 state to ensure that any modified data is written out to backing store.



T2080 SOC Power Management States

Power State	Initiated	Description
PLM10	SOC RCPM	LPM10 mode is a device state which at least one core is not in PH00 (full on state).
PLM20	SOC RCPM	<p>All cores are in PH20 state.</p> <ul style="list-style-type: none">– Cluster is in PCL10 state.– Platform clock is disabled. <p>All clocks internal to the core are turned off as well as the clock in device logic so that only the modules which are required to wake up the device will still have a running clock. Core timebase is turned-off.</p> <p>The modules which can be used as a wake up source are internal timers, internal and external interrupts. After the core and I/O interfaces have shut down, ASLEEP pin is asserted.</p>

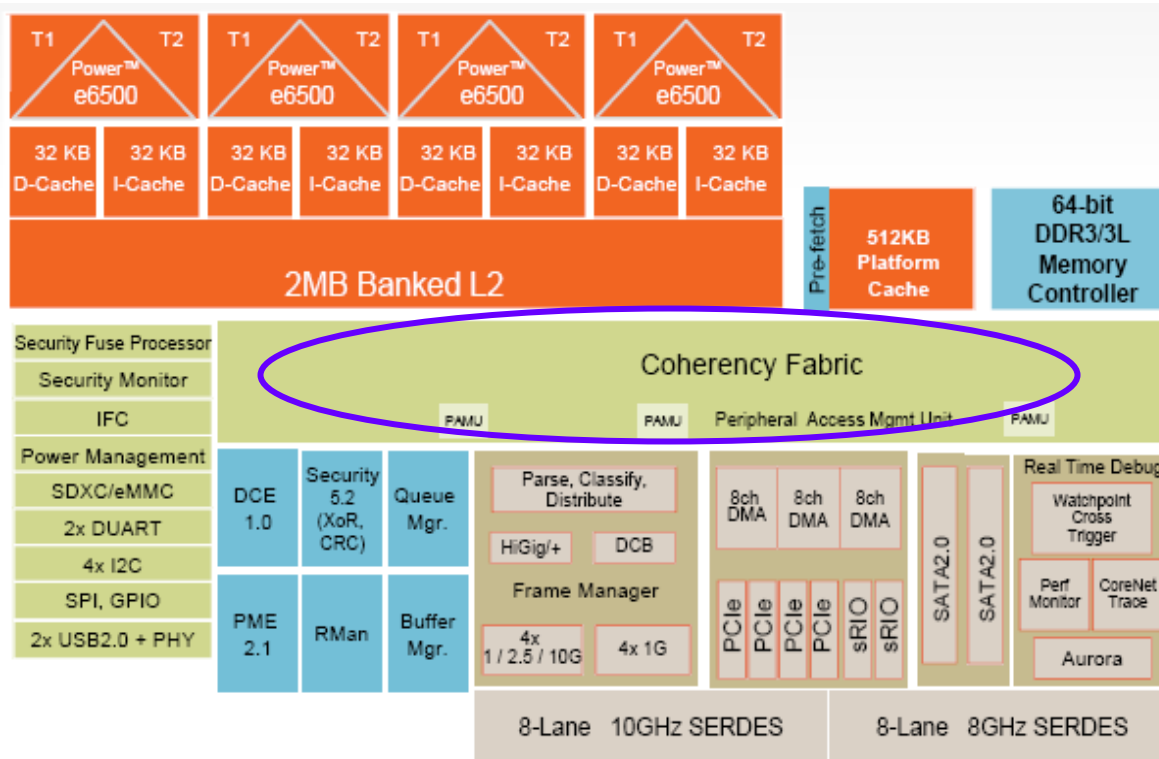


Agenda

- T2080/1 Overview
- e6500 Core and Cache Hierarchy
- Power Management
- CoreNet Coherency Fabric Switch
 - T2080 I/O at a Glance
 - CoreNet System Bandwidth
 - Enhancements in Platform



CoreNet Coherency Fabric Switch



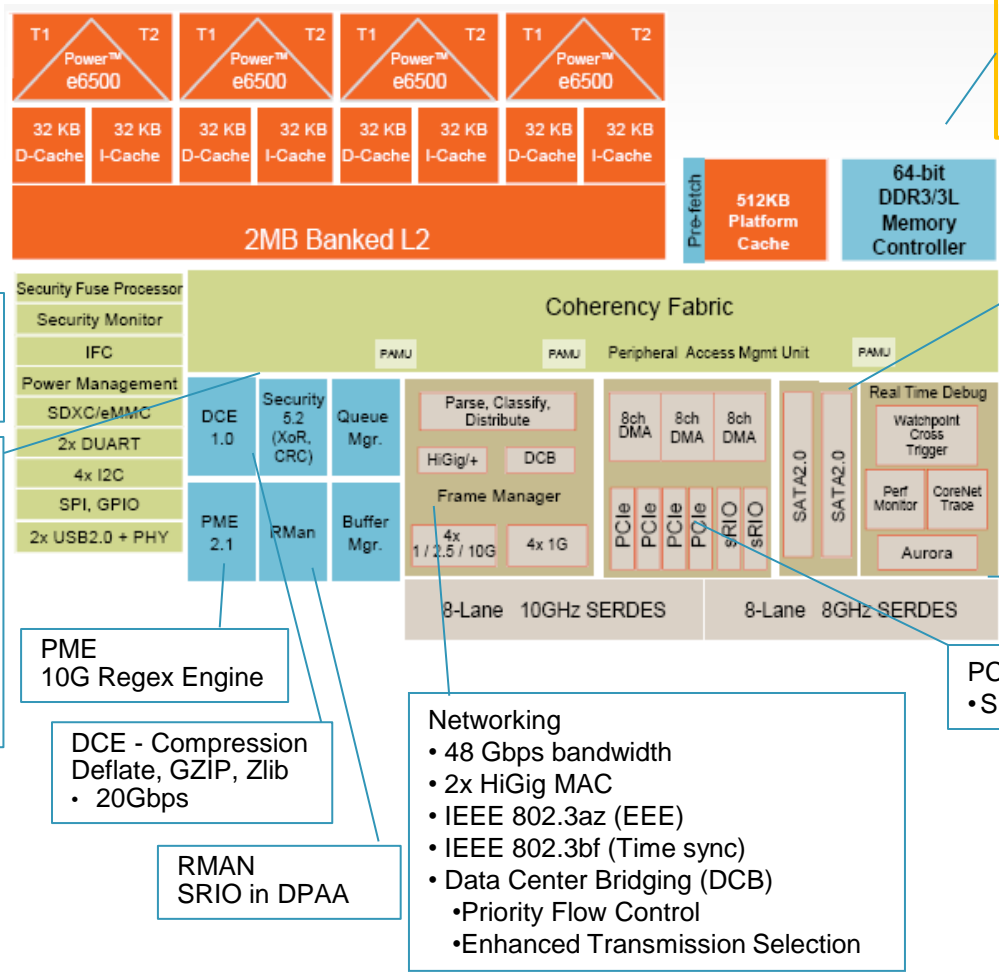
Highly concurrent, 100% HW cache coherent, multi-ported fabric

- Overcomes limitations of bus based topologies
- **Completely eliminates retries** for busy conditions or cache coherency actions
 - Variable snoop response timing
 - Current owner always supplies data
 - Minimizes average latency in congested systems
- **Flexible point to point connectivity**
 - Point-to-point connectivity with flexible protocol architecture allows for pipelined interconnection between CPUs, platform caches, memory controllers, and I/O and accelerators at up to 700 MHz
- **Supports multiple, parallel address paths**
 - High address bandwidth: Key for large coherent multi-core processors
- **High data bandwidth**
 - Crossbar connectivity: reduced contention provides low latency
 - Variable width data path per device provides throughput and power optimization
 - Capable of sustaining multiple cache lines per cycle to the cores
- Supports future expansion to coherent multi-fabric 'clusters' on SoC's or coherent multi-chip systems





T2080 I/O at a Glance



DDR 3/3L

- Up to 2.1 GHz
- Works with new Prefetch block

SATA, USB, SD/MMC

- Lower system cost

Advanced Power Management

- Power planes
- VID
- Cascade loading

SEC 5.2

- Enhanced RSA Operation for SSL
 - 340b RSA 25K operations
 - 680b RSA 7.8K operations
- 10Gbps DES
- 10Gbps AES
- 10G CRC

PME 10G Regex Engine

DCE - Compression

- Deflate, GZIP, Zlib
- 20Gbps

RMAN SRIo in DPAA

Networking

- 48 Gbps bandwidth
- 2x HiGig MAC
- IEEE 802.3az (EEE)
- IEEE 802.3bf (Time sync)
- Data Center Bridging (DCB)
 - Priority Flow Control
 - Enhanced Transmission Selection

SERDES

- Up to 10GHz
- XFI, 10Gbase-KR, XAUI, SGMII, PCIe, SRIo

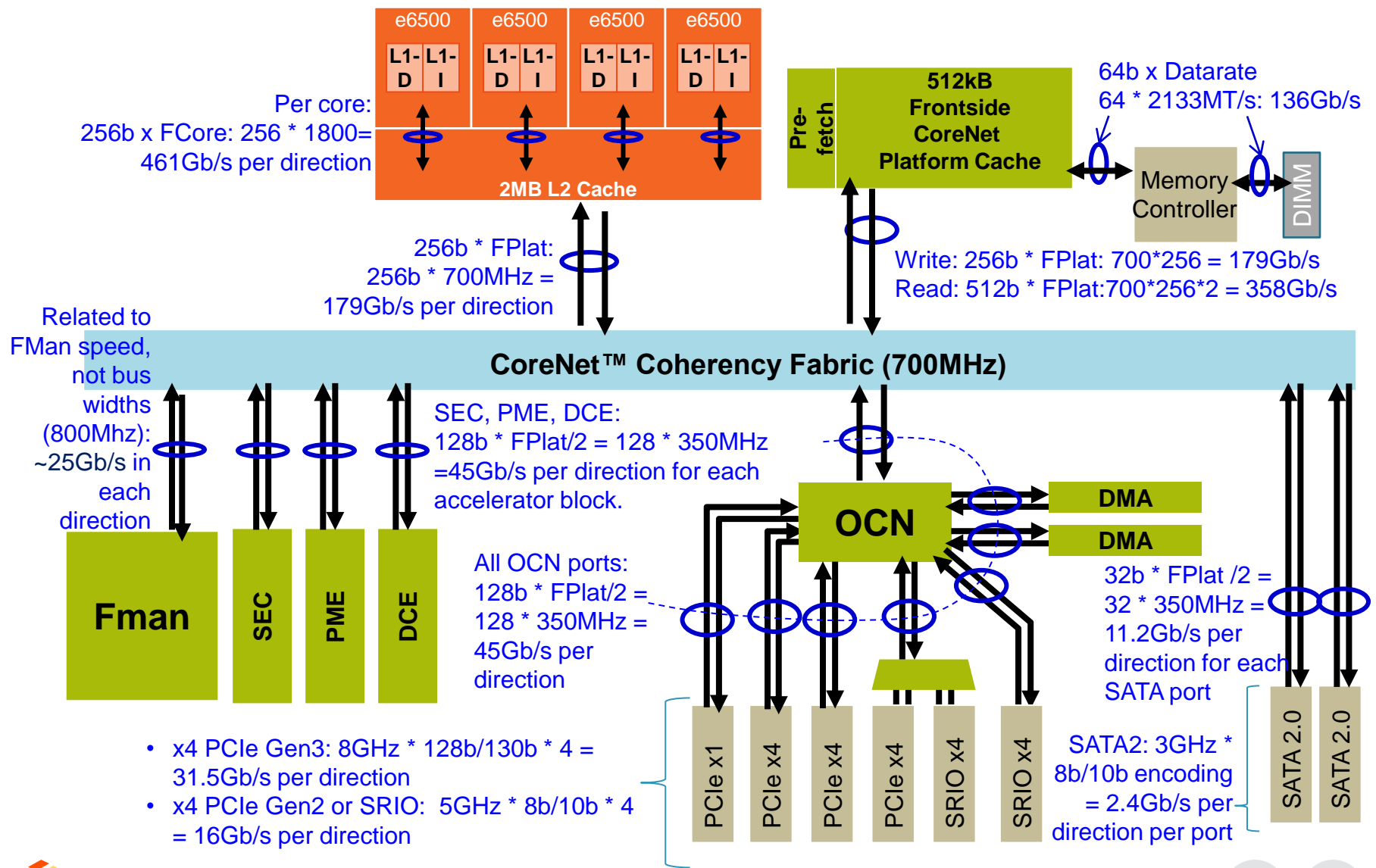
PCIe Gen 3

- SRIoV EP





T2080 CoreNet System Bandwidth



Enhancements in Platform V2 (T-Series)

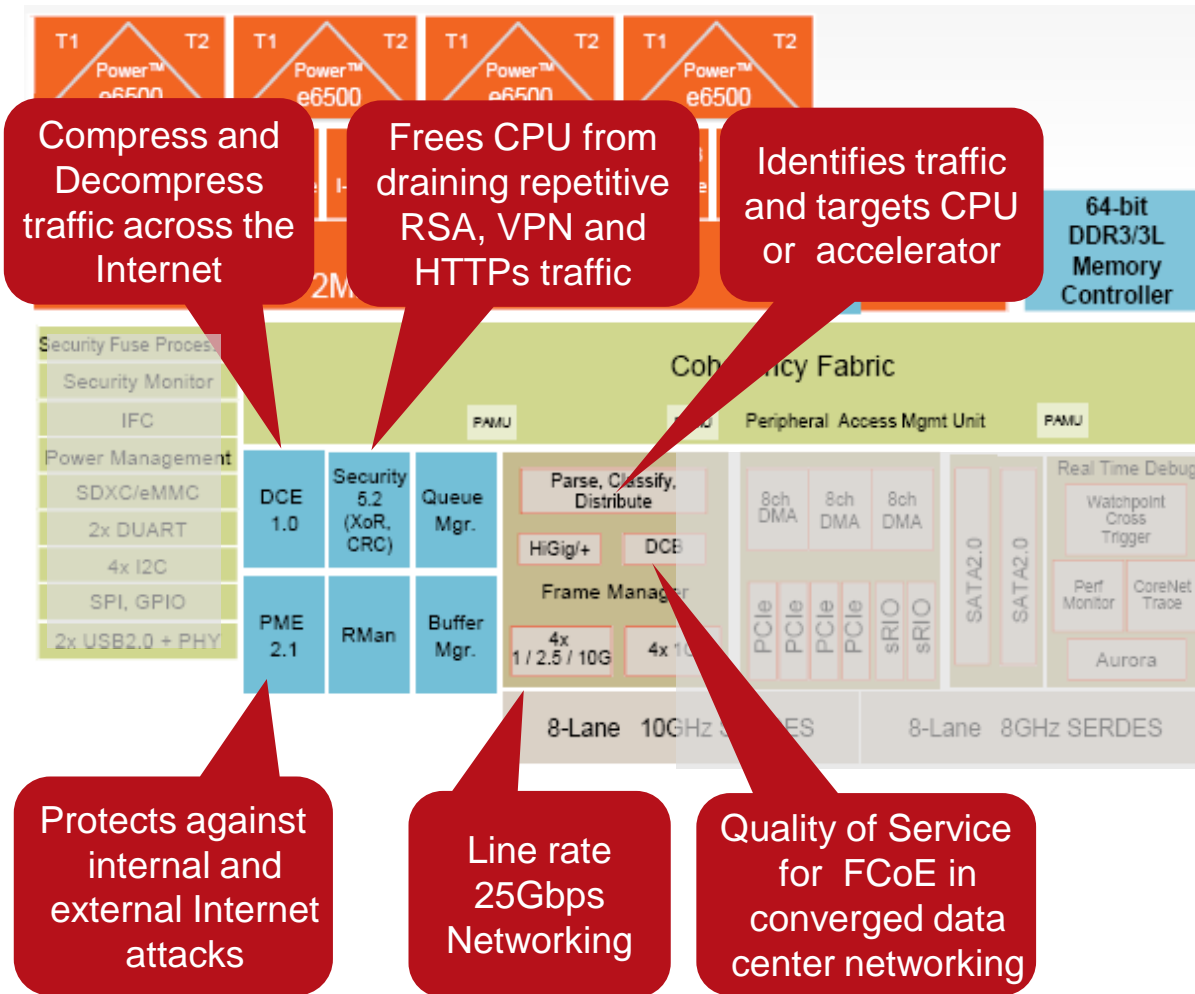
- CoreNet Coherency Fabric
 - 40-bit Real Address
 - Higher address bandwidth, Larger number of active transactions
 - 2X BW increase for: Core data ports, Memory subsystem writes, many peripheral devices
 - Improved configuration architecture
 - “Safe” mode for coherency-error tolerance during multi-core software development
- Platform Cache
 - Increased Write Bandwidth
 - Increased buffering for improving throughput
 - Improved data ownership tracking for performance enhancement
- Data PreFetch
 - Tracks CPC misses
 - Prefetches from multiple memory regions with configurable sizes
 - Selective tracking based on Requesting device, Transaction type, data/instruction access
 - Conservative prefetch requests to avoid system overloading with prefetches
 - “Confidence” based algorithm with feedback mechanism
 - Performance monitor events to evaluate the performance of Prefetch in the system

Agenda

- T2080/1 Overview
- e6500 Core and Cache Hierarchy
- Power Management
- CoreNet Coherency Fabric Switch
- Data Path Acceleration Architecture (DPAA)
 - FMAN
 - QMAN
 - BMAN
 - RMAN
 - SEC
 - PME
 - DCE



Enhancing Core Performance with Data Path Acceleration Architecture



Hardware Accelerators	
FMAN Frame Manager	25 Gbps aggregate Parse, Classify, Distribute
BMAN Buffer Manager	64 buffer pools
QMAN Queue Manager	Up to 2 ²⁴ queues
RMAN Rapid IO Manager	Seamless mapping sRIO to DPAA
SEC Security	10Gbps: IPsec, SSL Public Key 25K/s 1024b RSA
PME Pattern Matching	10Gbps aggregate
DCE Data Compression	20Gbps aggregate
Saving CPU Cycles for higher value work	

New Enhanced





DPAA Components Check List

- QorIQ P-class devices have Datapath Three-Speed Ethernet Controller (dTSEC) and 10-Gigabit Ethernet Media Access Controller (10GEC)
- QorIQ T-class devices have Ethernet Media Access Controller (EMAC)

QorIQ Devices DPAA Feature List	Revision Number							
	FMan	QMan	BMan	SEC	PME	RMan	DCE	RE
P1023	4.0	2.0	2.0	4.2	n/a	n/a	n/a	n/a
P4080/P4040 rev3	2.0	1.1	1.0	4.0	2.1	n/a	n/a	n/a
P2040, P2041 P3041	3.0	1.2	1.0	4.2	2.1	1.0	n/a	n/a
P5020, P5010	3.0	1.2	1.0	4.2	2.1	1.0	n/a	1.0
T2080, T2081	6.1	3.1	2.1	5.2	2.1	1.0	1.0	n/a



DPAA New Features for T2080

A short summary of T2080 enhancements over the first generation DPAA (as implemented in the P3041) is provided below:

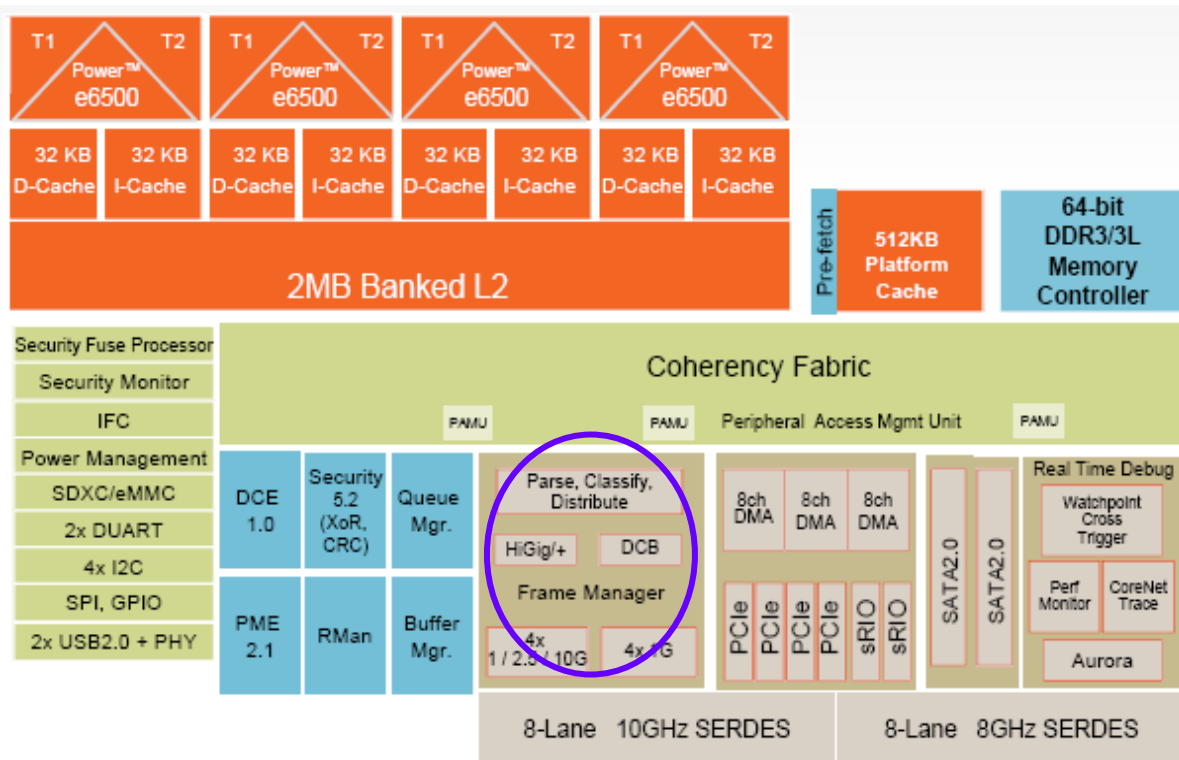
- Frame Manager
 - 2x performance increase (up to 25 Gbps per FMan)
 - Storage profiles
 - HiGig
 - Energy efficient Ethernet
- SEC 5.2
 - 2x performance increase for symmetric encryption and protocol processing
 - Up to 10 Gbps for IPsec @ Imix
 - 10x performance increase for public key algorithms
 - Support for 3GPP Confidentiality and Integrity Algorithms 128-EEA3 & 128-EIA3 (ZUK)
- DCE 1.0, new accelerator for compression/decompression
- RMan (Serial RapidIO Manager)
 - Included in P2/P3/P5/T2/T4 products
- DPAA overall capabilities
- Data Center Bridging
- Egress Traffic Shaping

New Features for T2080 (continue...)

- T208x has a total of 50 software portals (SP), increase from 10 SP found in the P-class processors
- Supports Customer Edge Egress Traffic Management (CEETM) that provides hierarchical class based scheduling and traffic shaping:
 - Available as an alternate to FQ/WQ scheduling mode on the egress side of specific direct connect portals
 - Enhanced class-based scheduling supporting 16 class queues per channel
 - Token bucket based dual rate shaping representing Committed Rate (CR) and Excess Rate (ER)
 - Congestion avoidance mechanism equivalent to that provided by FQ congestion groups
- A total of 48 algorithmic sequencers are provided, allowing multiple enqueue/dequeue operations to execute simultaneously
- Support up to 295M enqueue/dequeue operations per second



Frame Manager

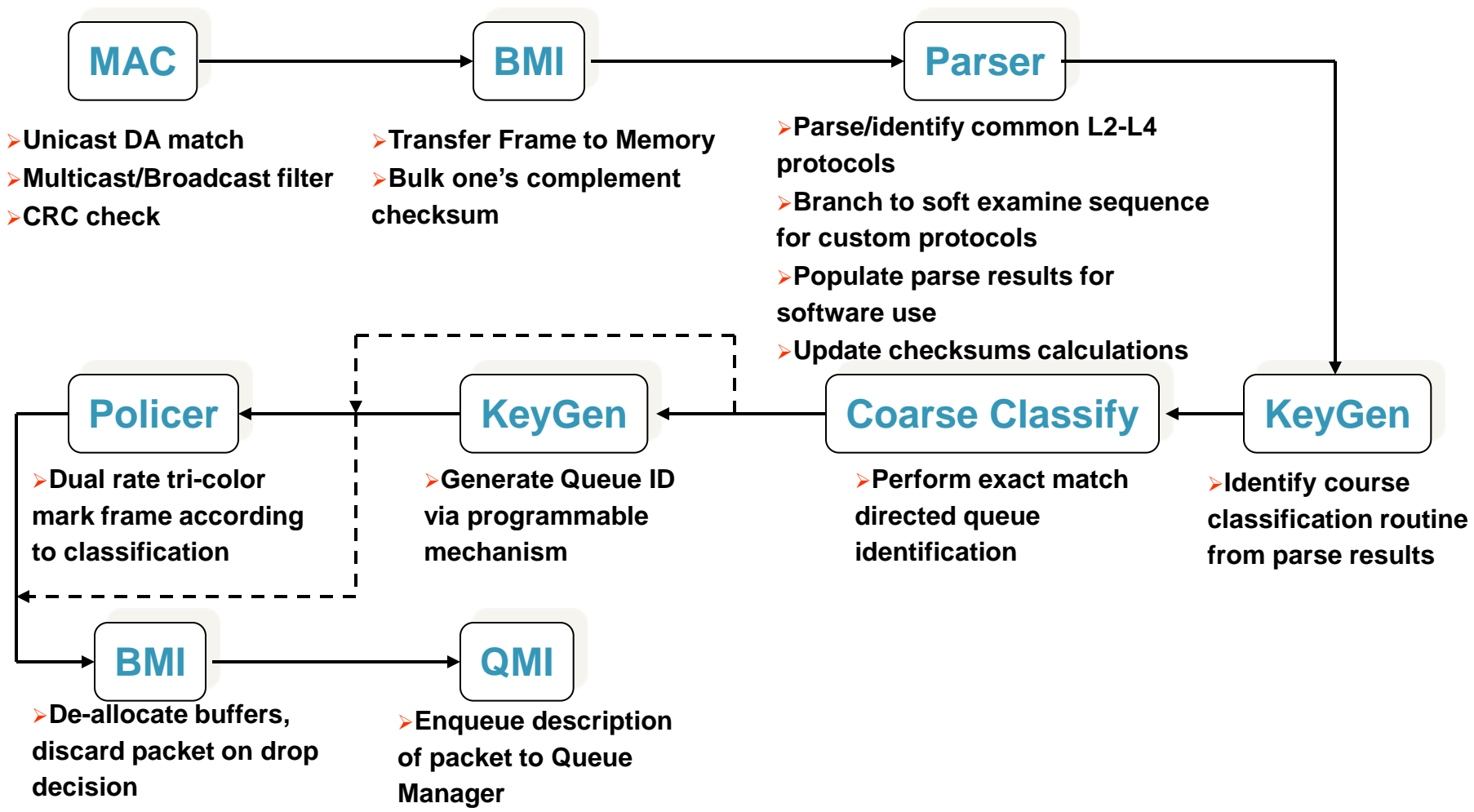


Frame Manager is responsible for moving packets into and out of the datapath

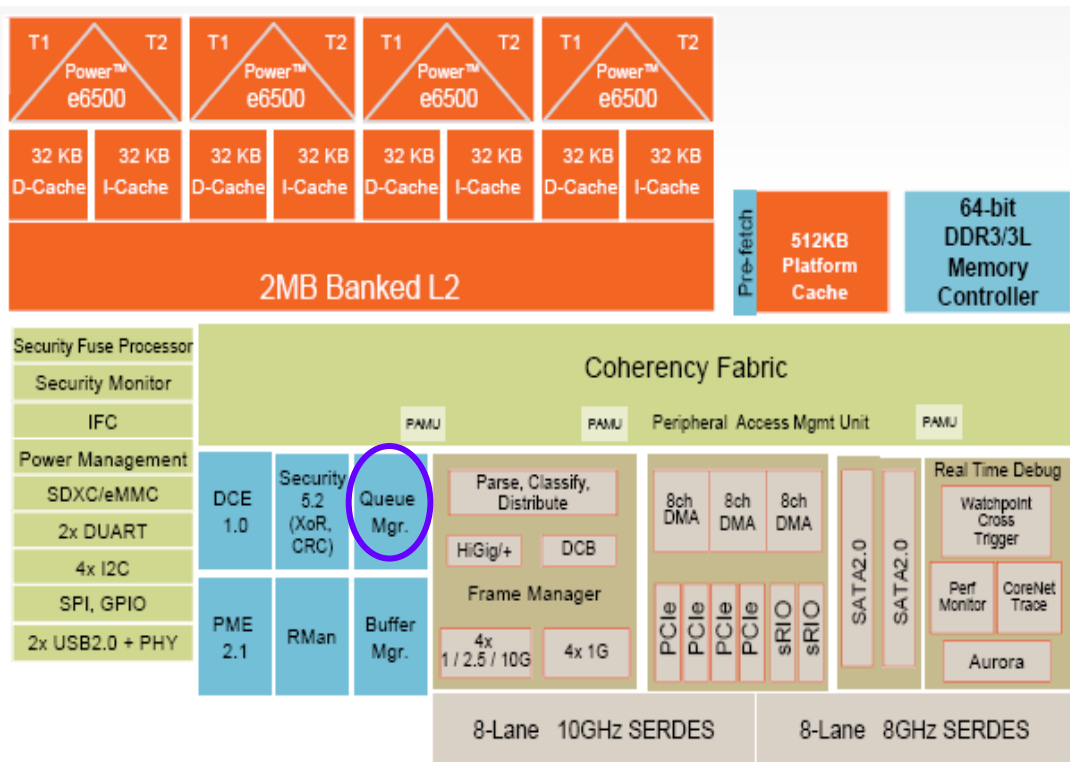
- 8 Ethernet MACs
 - 8 x 1GE
 - 4 x 2.5GE
 - 4 x 10GE
- Parse
- “Coarse” classification
- Packet distribution across queues for load spreading
- Policing



Frame Manager Flow Chart

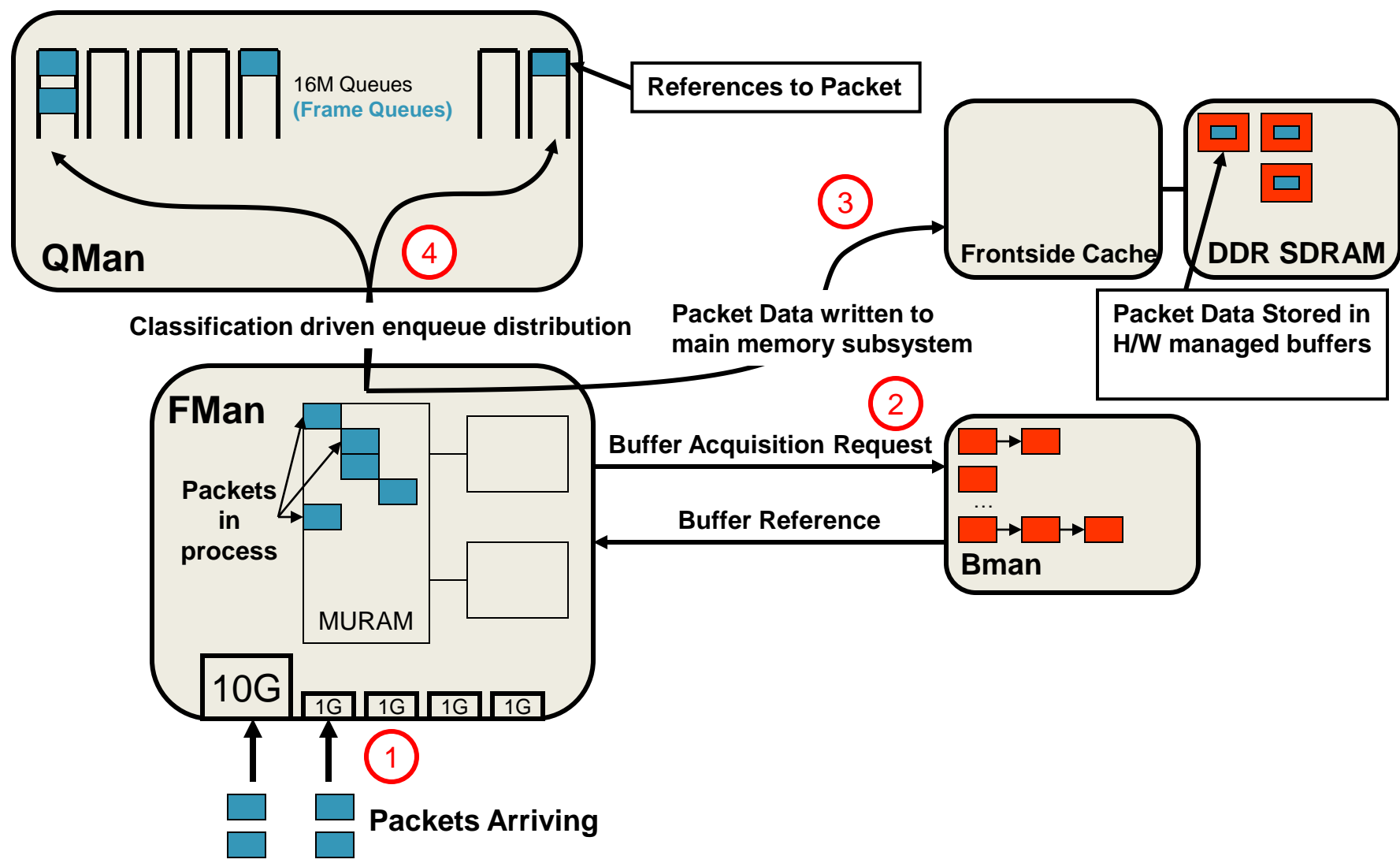


Datapath Infrastructure: Queue Manager

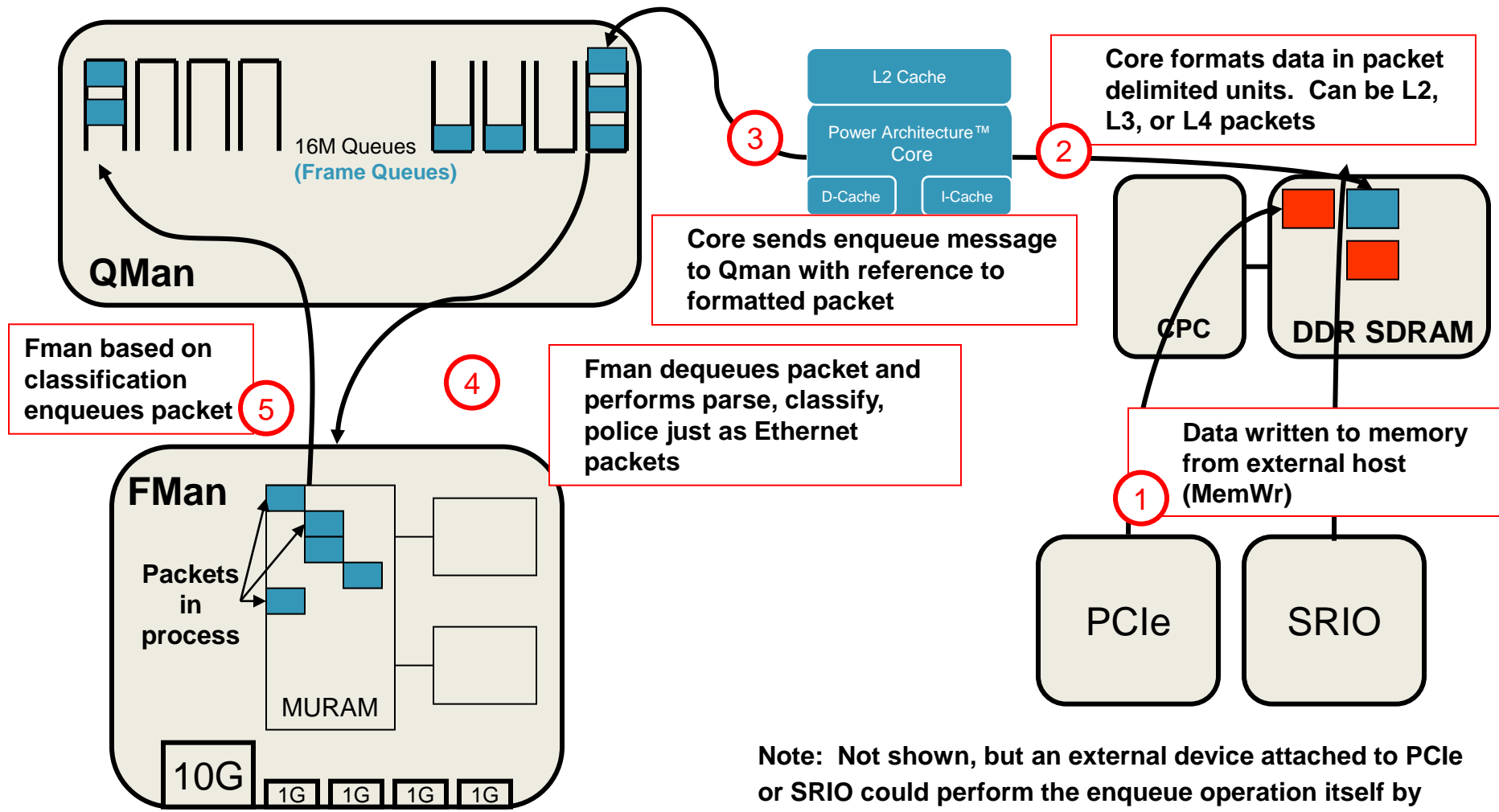


- **QMan provides a way to inter-connect DPAA components**
 - Cores (including IPC)
 - Hardware offload accelerators
 - Network interfaces – Frame Manager
- **Queue management**
 - High performance interfaces (“portals”) for enqueue/dequeue
 - Internal buffering of queue/frame data to enhance performance
- **Congestion avoidance and management**
 - RED/WRED
 - Tail drop for single queues and aggregates of queues
 - Congestion notification for “loss-less” flow control
- **Load spreading across processing engines (cores, HW accelerators)**
 - Order restoration
 - Order preservation/atomicity
- **Delivery to cache/HW accelerators of per queue context information with the data (Frames)**
 - This is an important offload for software using hardware accelerators

FMan/QMan Ingress Packet Processing



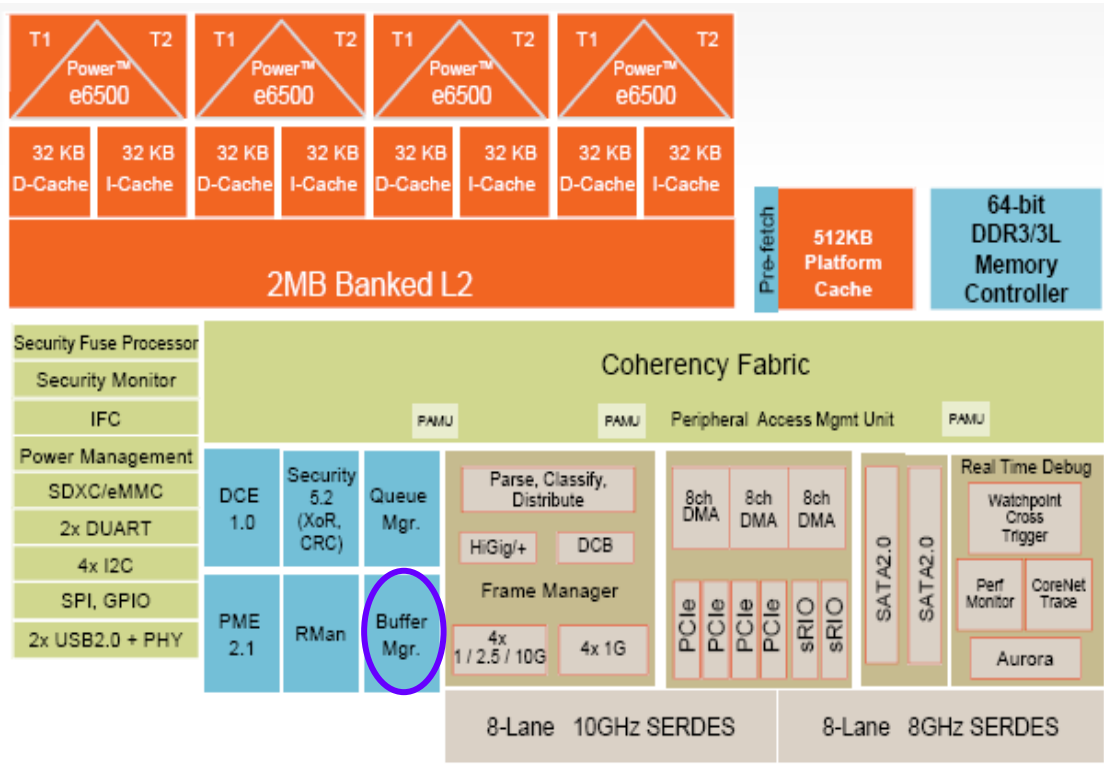
Offline Parsing Example



Note: Not shown, but an external device attached to PCIe or SRIO could perform the enqueue operation itself by accessing a software memory mapped Qman portal



Datapath Infrastructure: Buffer Manager

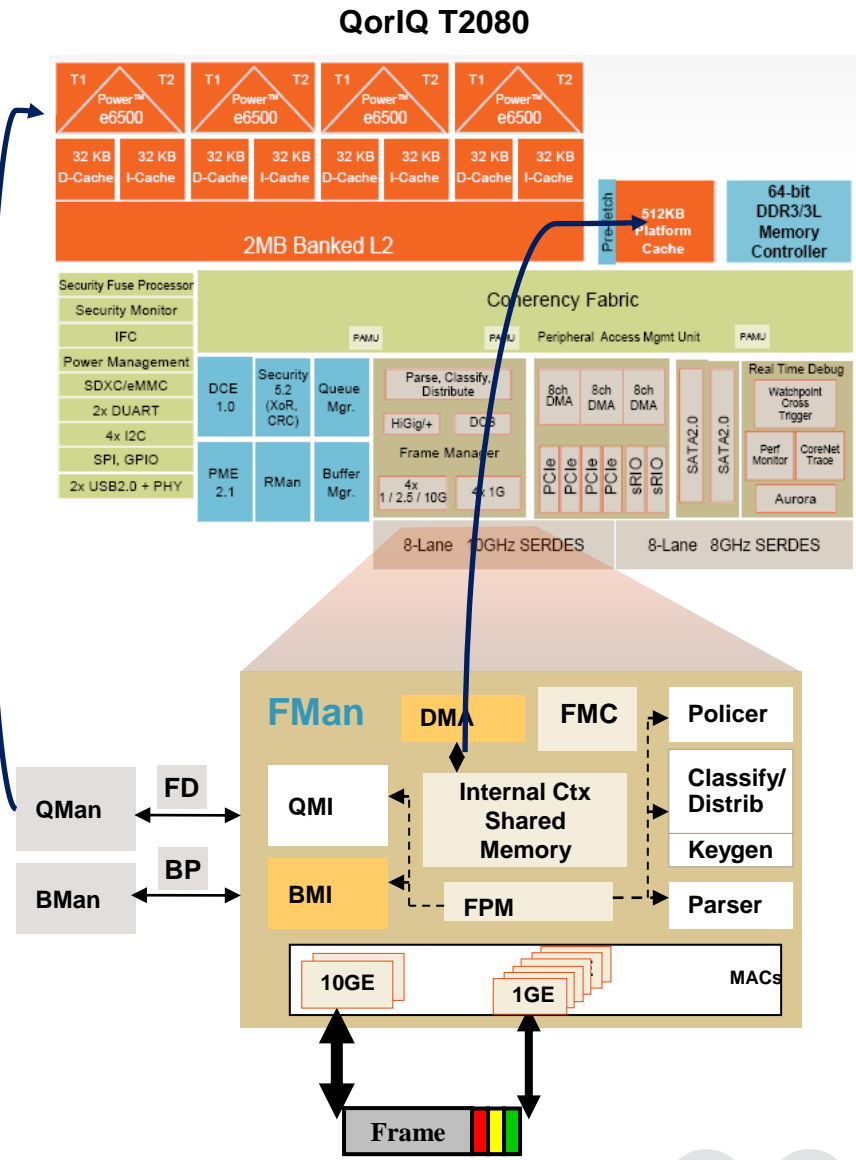
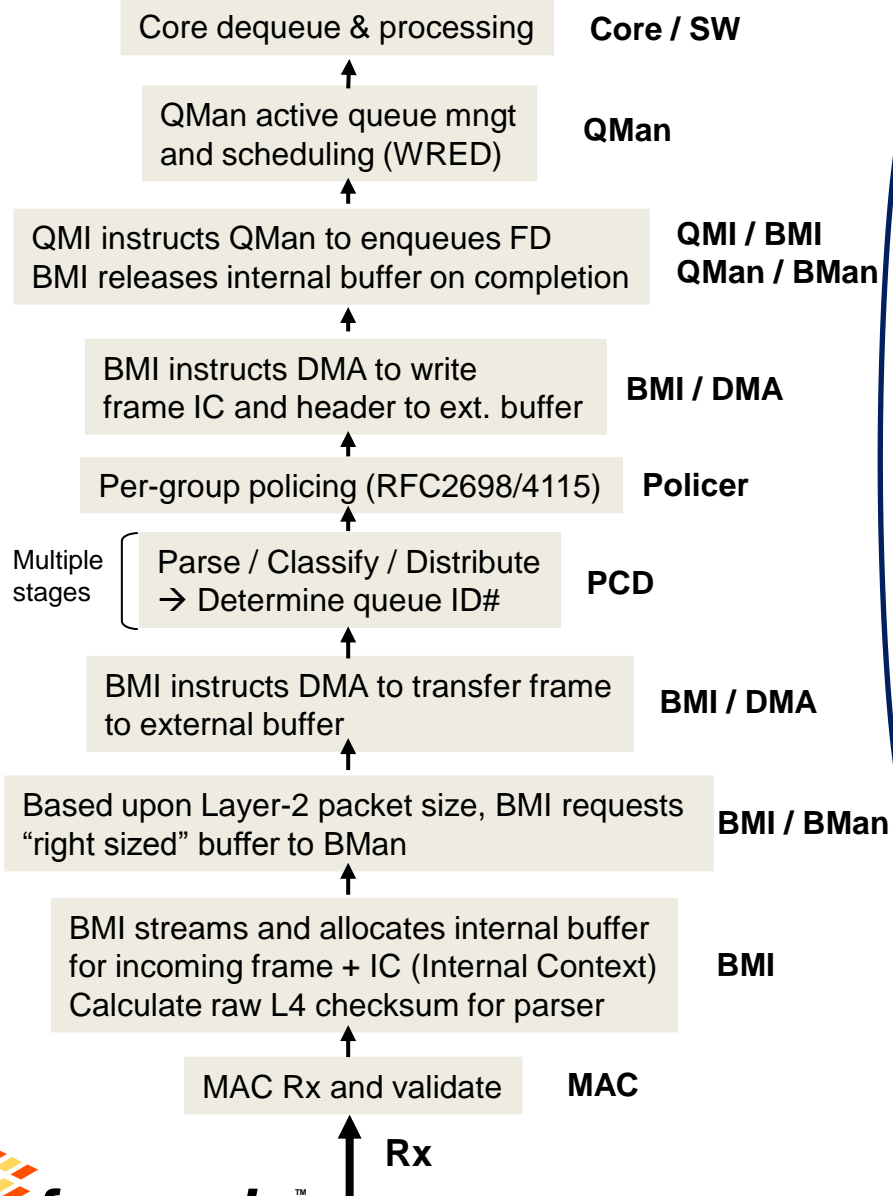


- Standardized command interface to SW and HW
 - Up to 50 software portals for software: resolves any multi-core race scenario
 - Up to 6 HW portal per HW block: simplified command for HW Accelerators
 - Up to 64 separate pools of free buffers
- BMan keeps a small per-pool stockpile of buffer pointers in internal memory
 - Stockpile of 64 buffer pointers per pool, maximum 2G buffer pointers
 - Absorbs bursts of acquire/release commands without external memory access
 - Minimized access to memory for buffer pool management.
- Pools (buffer pointers) overflow into DRAM
- LIFO buffer allocation policy
 - A released buffer is immediately used for receiving new data, using cache lines previously allocated



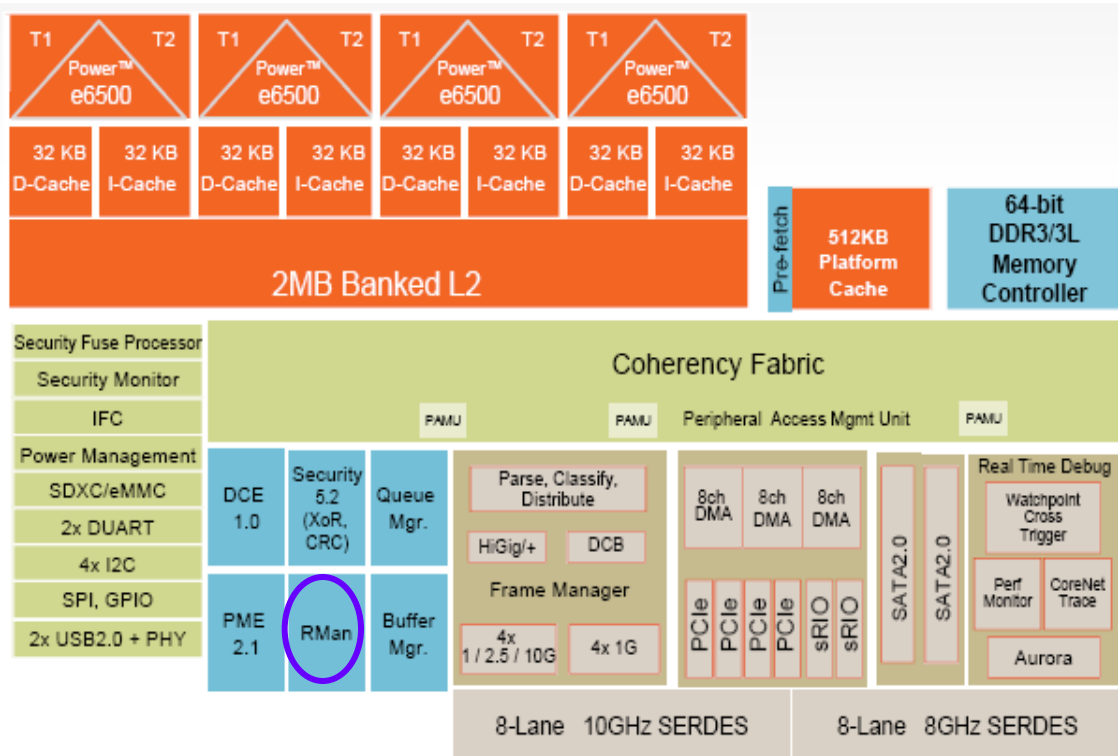


Fman Modular Architecture Processing Pipeline





RapidIO Message Manager

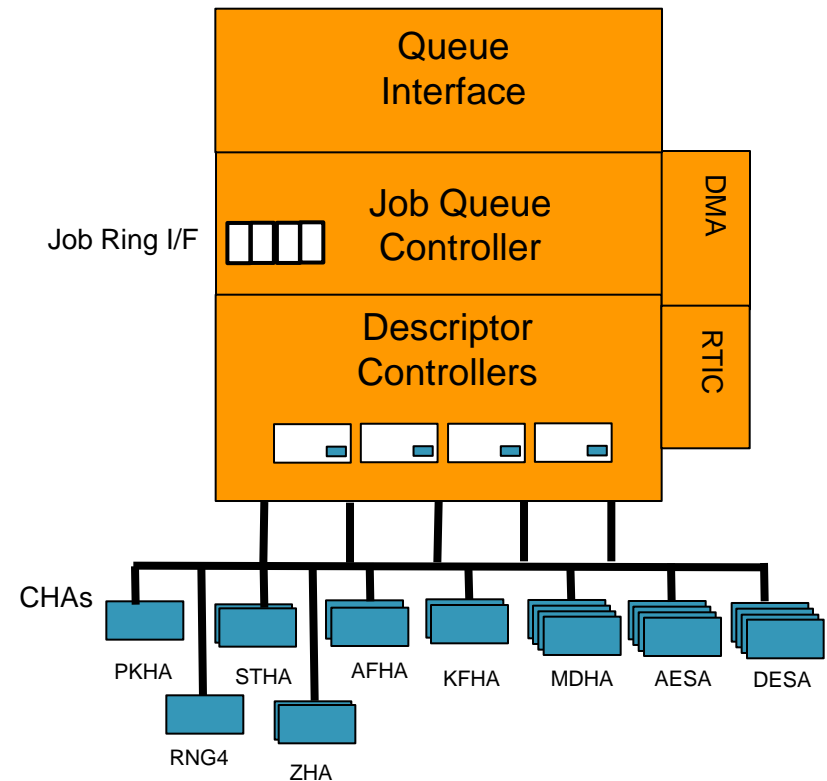


- RapidIO Rev 2.1 Compliant
- Dual controllers
- 1.25/2.5/3.125/5GBaud operation
 - 1x,2x,4x operation
- Extensive Transaction Type support
 - Type 9 Data Streaming
 - Type 10 Doorbells
 - Type 11 messaging
 - NWRITE/SWRITE
 - Port-write
- Support for hundreds of ingress/egress queues
- Robust QoS
- Direct interworking between Ethernet and RapidIO in hardware
 - No runtime CPU intervention required



NXP Security Engine (SEC 5.2)

- (1) Public Key Hardware Accelerator (PKHA)
 - RSA and Diffie-Hellman (to 4096b)
 - Elliptic curve cryptography (1024b)
 - Supports Run Time Equalization
- (1) Random Number Generators (RNG4)
 - NIST Certified
- (2) Snow 3G Hardware Accelerators (STHA)
 - Implements Snow 3.0
 - One for Encryption (F8), one for Integrity (F9)
- (2) ZUC Hardware Accelerators (ZHA)
 - One for Encryption, one for Integrity
- (1) ARC Four Hardware Accelerator (AFHA)
 - Compatible with RC4 algorithm
- (2) Kasumi F8/F9 Hardware Accelerators (KFHA)
 - F8 , F9 as required for 3GPP
 - A5/3 for GSM and EDGE
 - GEA-3 for GPRS
- (4) Message Digest Hardware Accelerators (MDHA)
 - SHA-1, SHA-2 256,384,512-bit digests
 - MD5 128-bit digest
 - HMAC with all algorithms
- (4) Advanced Encryption Standard Accelerators (AESAs)
 - Key lengths of 128-, 192-, and 256-bit
 - ECB, CBC, CTR, CCM, GCM, CMAC, OFB, CFB, and XTS
- (4) Data Encryption Standard Accelerators (DESA)
 - DES, 3DES (2K, 3K)
 - ECB, CBC, OFB modes
- (4) CRC Unit
 - CRC32, CRC32C, 802.16e OFDMA CRC



Header & Trailer off-load for the following Security Protocols:
 •IPSec, SSL/TLS, 3G RLC, PDCP, SRTP, 802.11i, 802.16e, 802.1ae

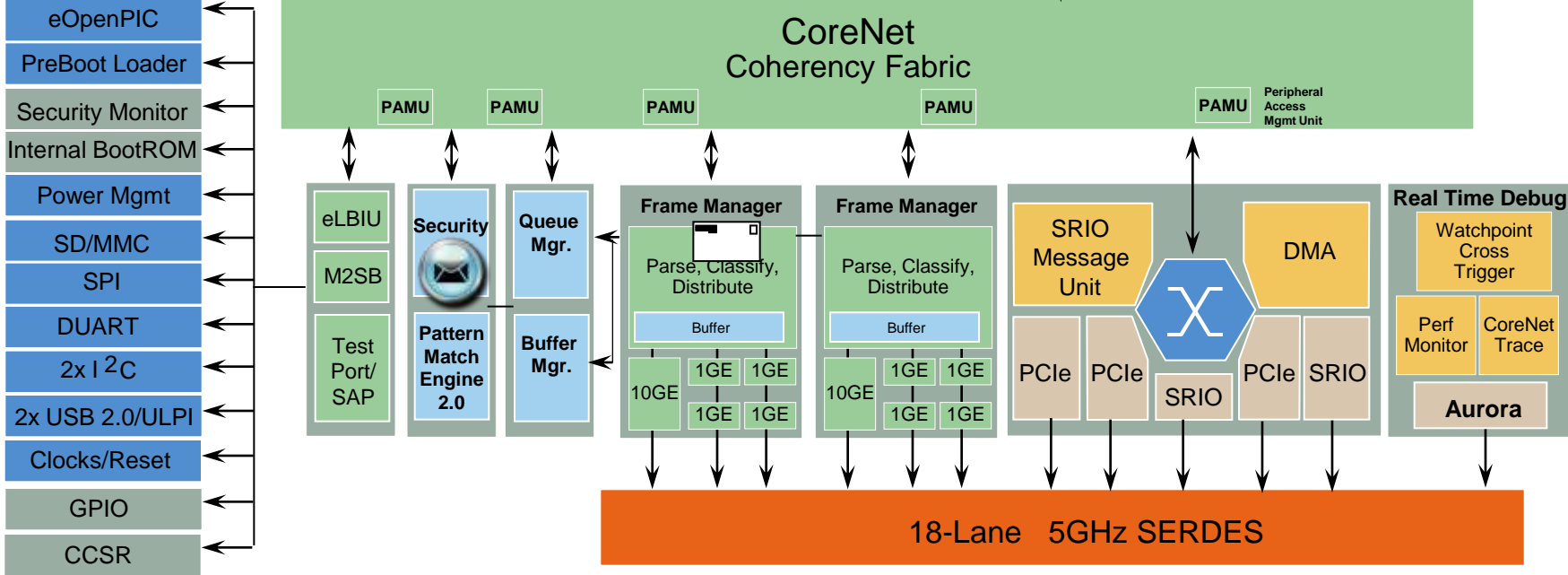
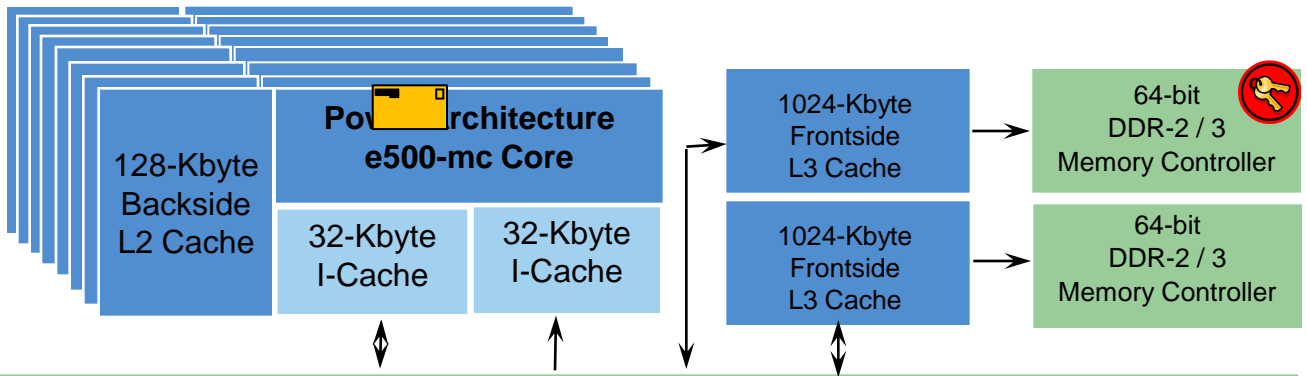




Life of a Crypto Packet

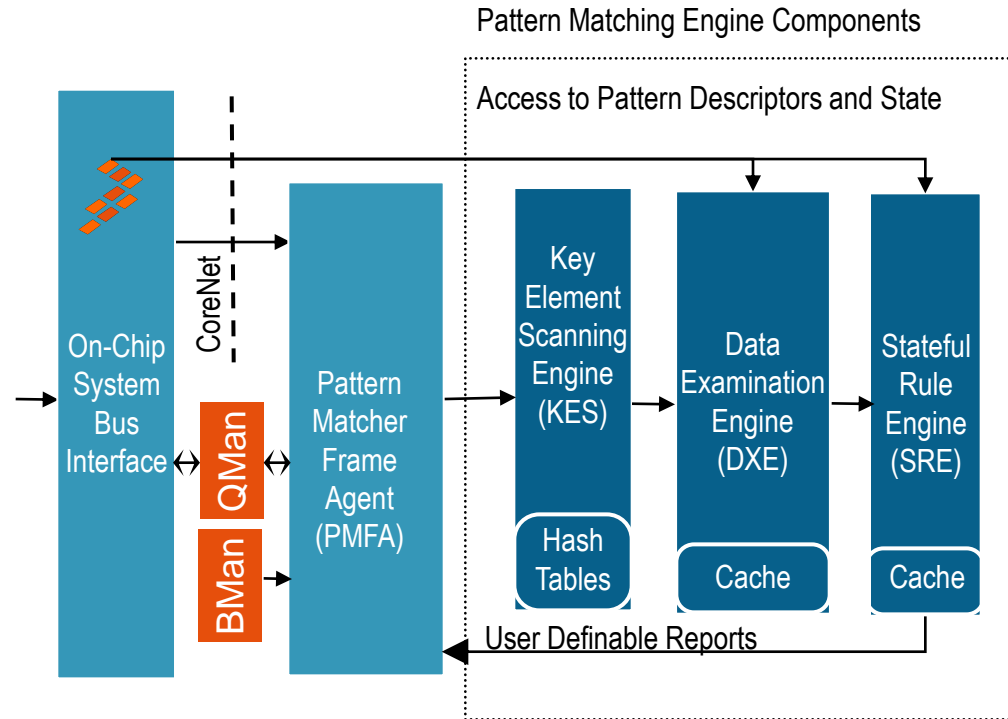


P4080E



Pattern Matching Engine (PME) 2.1

- Regex support plus significant extensions:
 - Patterns can be split into 256 sets each of which can contain 16 subsets
 - 32K patterns of up to 128B length
 - 9.6 Gbps raw performance
- Combined hash/NFA technology
 - No “explosion” in number of patterns due to wildcards
 - Low system memory utilization
 - Fast pattern database compiles and incremental updates
- Matching across “work units”
 - Finds patterns in streamed data
- Pipeline of processing
 - PME offers pipeline of filtering, matching, and behavior base engine for complete pattern matching solution



Life of a Packet in PME

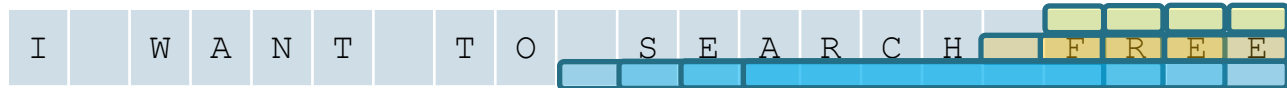


FD1	192.168.1.1:80	TCP	10.10.10.100:16734
	192.168.1.1:25	TCP	10.10.10.100:17784
	192.168.1.1:1863	TCP	10.10.10.100:16855

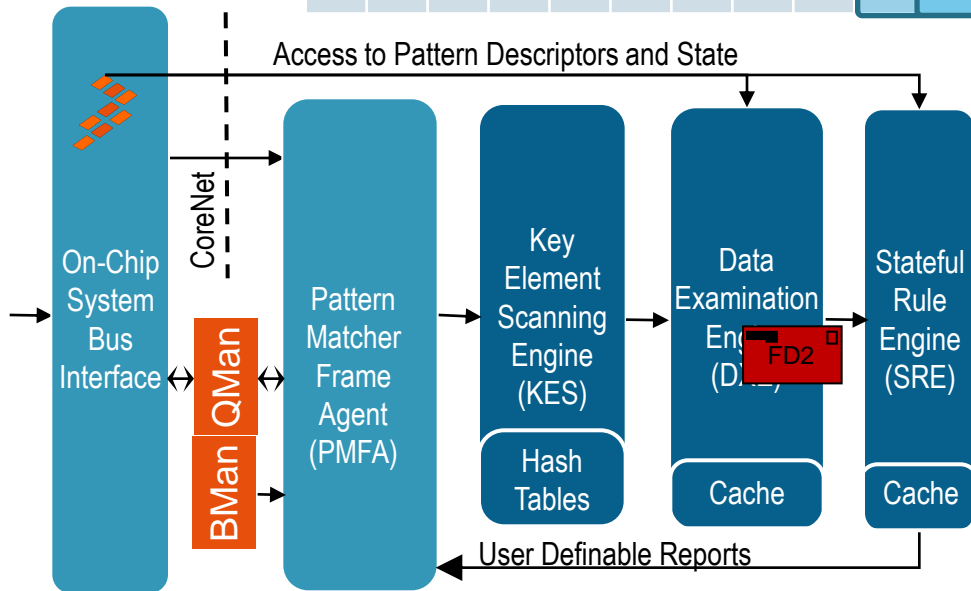


Frame Queue: A

- flowA:FD1: 192.168.1.1:80->10.10.10.100:16734 "I want to search free"
- flowA:FD2: 192.168.1.1:80->10.10.10.100:16734 "Scale FTF 2011 event schedule"



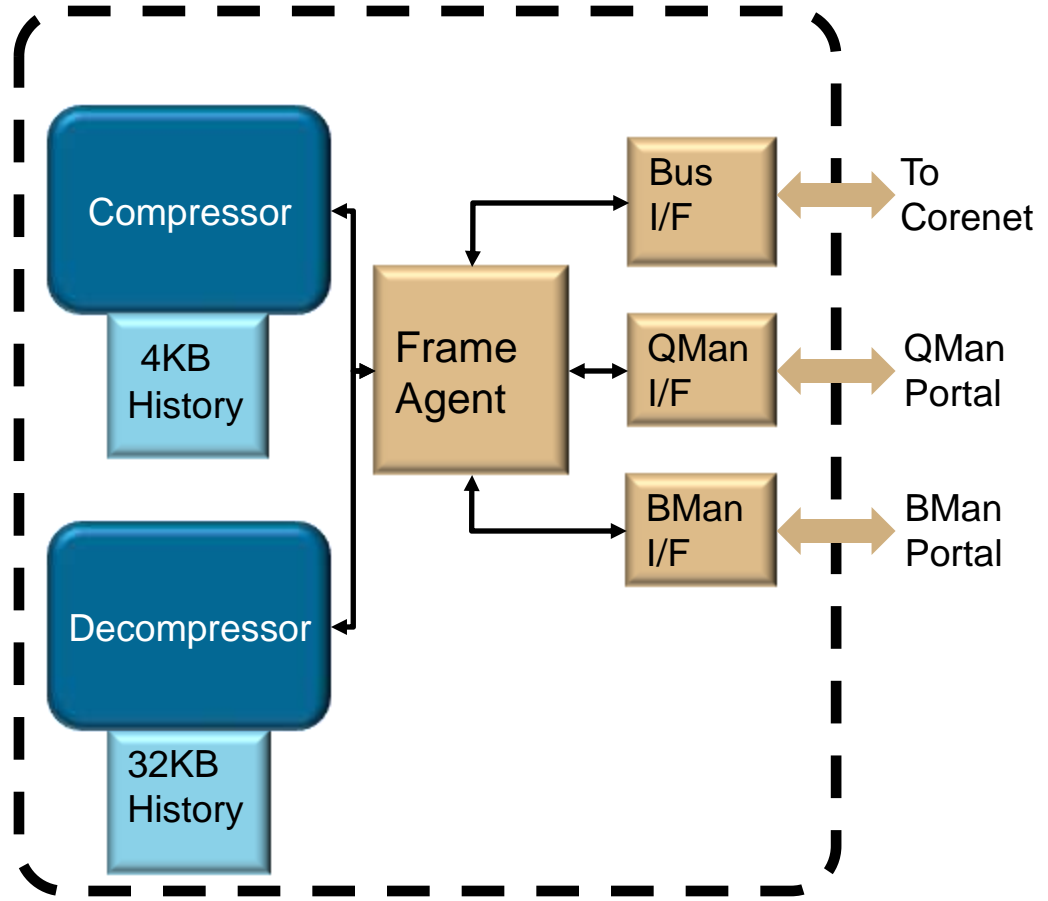
DDP
**Patt1 /free/
 tag=0x0001**



- Patterns
 - Patt1 /free/ tag=0x0001
 - Patt2 /freescale/ tag=0x0002
- KES
 - Compare hash value of incoming data(frames) against all patterns
- DXE
 - Retrieve the pattern with matched hash value for a final comparison
- SRE
 - Optionally post process match result before sending the report to the CPU

Decompression and Compression Engine (DCE 1.0)

- Deflate
 - As specified as in RFC1951
- GZIP
 - As specified in RFC1952
- Zlib
 - As specified in RFC1950
 - Interoperable with the zlib 1.2.5 compression library
- Encoding
 - Supports Base 64 encoding and decoding (RFC4648).
- Operate up to 600 MHz
 - 10 Gbps Compress
 - 10 Gbps Decompress
 - 20 Gbps Aggregate



Agenda

- T2080/1 Overview
- e6500 Core and Cache Hierarchy
- Power Management
- CoreNet Coherency Fabric Switch
- Data Path Acceleration Architecture (DPAA)
- SerDes Options
 - SerDes Lane Multiplexing
 - SerDes Supported Protocols



T2080 SerDes Lane Multiplexing

SRDS_PRTCL_S 1 RCW[128:135]	Lane A	Lane B	Lane C	Lane D	Lane E	Lane F	Lane G	Lane H	Parallel Port availability
1C	SGMII (m9)	SGMII (m10)	SGMII (m1)	SGMII (m2)	SGMII (m3)	SGMII (m4)	SGMII (m5)	SGMII (m6)	2 RGMII (FMAN MAC #3, #4/#10)
95	SGMII (m9)	SGMII (10) 3.125G	SGMII (m1) 3.125G	SGMII (m2)	SGMII (m3)	SGMII (m4)	SGMII (m5)	SGMII (m6)	2 RGMII (FMAN MAC #3, #4/#10)
A2	SGMII (m9)	SGMII (m10)	SGMII (m1)	SGMII (m2)	SGMII (m3)	SGMII (m4)	SGMII (m5)	SGMII (m6)	2 RGMII (FMAN MAC #3, #4/#10)
94	SGMII (m9)	SGMII (10) 3.125G	SGMII (m1) 3.125G	SGMII (m2)	SGMII (m3)	SGMII (m4)	SGMII (m5)	SGMII (m6)	2 RGMII (FMAN MAC #3, #4/#10)
51	XAUI (m9)				PCle4 (5/2.5)	SGMII (m4)	SGMII (m5)	SGMII (m6)	2 RGMII (FMAN MAC #3, #4/#10)
5F	HiGig (m9)				PCle2 (5/2.5)	SGMII (m4)	SGMII (m5)	SGMII (m6)	2 RGMII (FMAN MAC #3, #4/#10)
65	HiGig (m9)				PCle2 (5/2.5)	SGMII (m4)	SGMII (m5)	SGMII (m6)	2 RGMII (FMAN MAC #3, #4/#10)
6B	XFI (m9)	XFI (m10)	XFI (m1)	XFI (m2)	PCle2 (5/2.5)	SGMII (m4)	SGMII (m5)	SGMII (m6)	2 RGMII (FMAN MAC #3, #4/#10)
6C	XFI (m9)	XFI (m10)	SGMII (m1)	SGMII (m2)	PCle4 (5/2.5)				2 RGMII (FMAN MAC #3, #4/#10)
6D	XFI (m9)	XFI (m10)	SGMII (m1) 2.5G	SGMII (m2) 2.5G	PCle4 (5/2.5)				2 RGMII (FMAN MAC #3, #4/#10)
AB	PCle3 (5/2.5)				PCle4 (8/5/2.5)				2 RGMII (FMAN MAC #3, #4/#10)



T2080 SerDes Supported Protocols

Product	PCIe	SRIO	Aurora	SGMII	XAUI	HigGig	XFI	SATA
T2080	4	2	1	8	1	1	2	2
T2081	4	x	x	5	x	x	2	x

- Numbers indicate the maximum that can be supported.

Agenda

- T2080/1 Overview
- e6500 Core and Cache Hierarchy
- Power Management
- CoreNet Coherency Fabric Switch
- Data Path Acceleration Architecture (DPAA)
- SerDes Options
- **Voltage ID**
 - What is VID?
 - Basic Steps for System to implement VID

What is VID?

- VID is a specific method of selecting the optimum voltage-level to guarantee performance and power targets.
- QorIQ device contains fuse block registers defining required voltage level. This eFUSE definition is accessed through the Fuse Status Register (DCFG_FUSESR).
- Customer software will read the VID value from factory-set efuse values and configure regulator values appropriately.
- **For T2080, the core VDD value will range from 1.025V to 0.975V in 12.5mV steps**

Power Pins	Power Islands on T2080
VDD	Core and Platform
USB_SVDD	USB supply

Start up voltage	1.025 ± 30mV
During normal operation	VID ± 30mV

Basic Steps for System to implement VID

- At power up time zero, regulator must come up at default voltage as defined per product. For T2080, that is 1.025V.
- VERY EARLY in the boot code and before many high speed or other power hungry features or interfaces are turned on, the DCFG_FUSESR register is read for the VID information. This value is translated into whatever commands to program up the new voltage value for the regulator.
- Once the regulator is sent the new values, a period of time needs to pass to allow the regulator to change values BEFORE power hungry features and higher clock rates are enabled/changed.

Agenda

- T2080/1 Overview
- e6500 Core and Cache Hierarchy
- Power Management
- CoreNet Coherency Fabric Switch
- Data Path Acceleration Architecture (DPAA)
- SerDes Options
- Voltage ID
- eSDHC
 - New Features
 - Interface New Signals
 - Supported SD Card Modes
 - Examples

eSDHC New Features

- Supports SDXC cards
 - Up to 2TB space
- Supports cards with UHS-I speed grade
 - Ultra high speed grade
 - SDR12, SDR25, SDR50, SDR104, DDR50
 - UHS-I cards work on 1.8V signaling
 - On board dual voltage regulators are needed to support UHS-I cards because card initialization happens at 3.3V and regular operations happen at 1.8V
 - SD controller provides a signal to control the voltage regulator. The signal is controlled via SDHC_VS bit
- eMMC 4.5 support (HS200, DDR)

eSDHC Interface New Signals

- **SDHC_CMD_DIR** - Command Line Direction Control
- **SDHC_DAT0_DIR** - DAT0 Line Direction Control
- **SDHC_DAT123_DIR** - DAT1 to DAT3 Line direction control
 - DIR signals are required to change direction of external voltage translator
 - Separate DIR signals are implemented to support card interrupt on DAT1 in single bit mode
- **SDHC_VS** - External voltage select, to change voltage of external regulator
- **SDHC_CLK_SYNC_IN** – SYNC clock input
- **SDHC_CLK_SYNC_OUT** – SYNC clock output

Supported SD Card Modes

Mode	1 bit Support		4 bit Support	
	T1040	SD (3.0)	T1040	SD (3.0)
DS	Yes	Yes	Yes	Yes
HS	Yes	Yes	Yes	Yes
SDR12	No	No	Yes	Yes
SDR25	No	No	Yes	Yes
SDR50	No	No	Yes	Yes
SDR104	No	No	Yes	Yes
DDR50	No	No	Yes	Yes

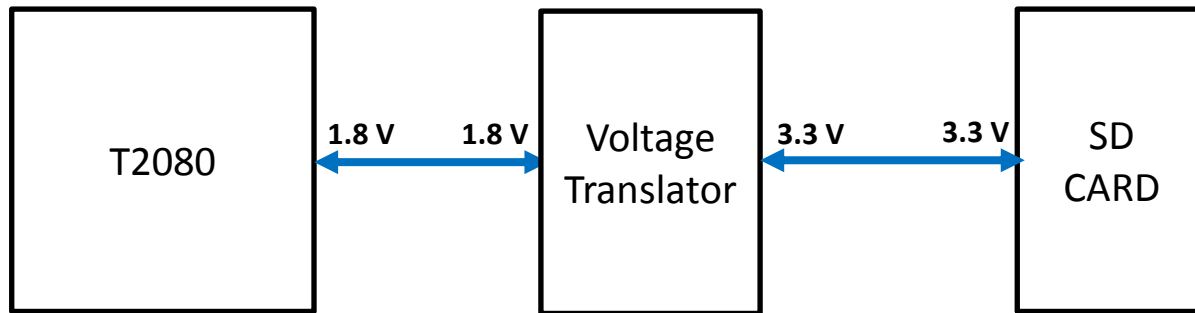


Supported MMC/eMMC Modes

Mode	1 bit Support		4 bit Support		8 bit support	
	T2080	eMMC (4.5)	T2080	eMMC (4.5)	T2080	eMMC (4.5)
DS	Yes	Yes	Yes	Yes	Yes	Yes
HS	Yes	Yes	Yes	Yes	Yes	Yes
HS200	No	No	Yes	Yes	Yes	Yes
DDR	No	No	Yes	Yes	No	Yes



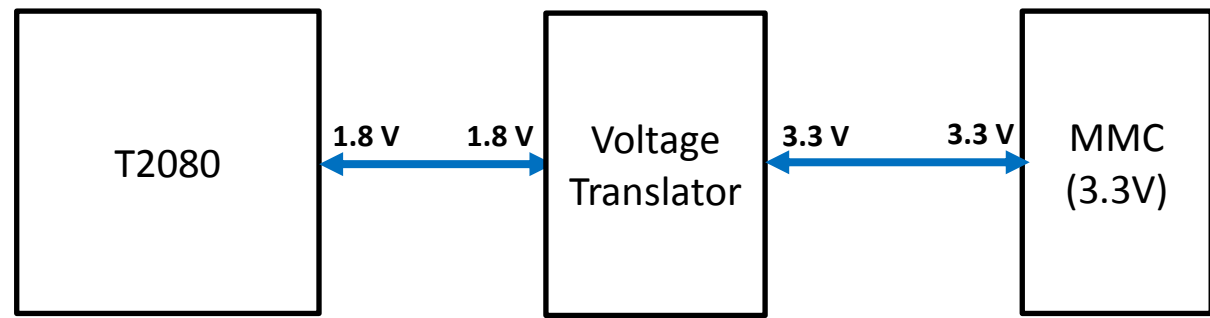
SD Card Connections for T2080 (DS and HS Modes)



◀▶ **CMD, DAT[0], DAT[1:3], CLK, CD_B, WP**

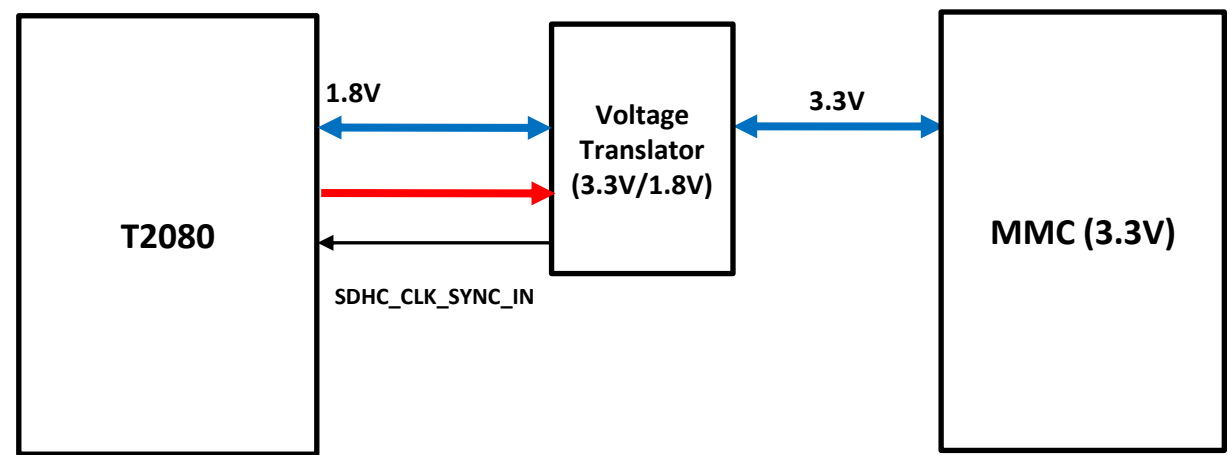
- Other signals should be left NC
- SYNC_OUT should be pulled-down with a weak resistor or the pin should be configured for alternate functionality

MMC Card Connections for T2080 (DS, HS, HS200 Modes)



- CMD, DAT[0], DAT[1:7], CLK, CD**
- Other signals should be left NC
 - SYNC_OUT should be pulled-down with a weak resistor or the pin should be configured for alternate functionality
 - Voltage translator is not needed for 1.8V MMC.

MMC (3.3V) Connections for T2080 (DDR Mode)

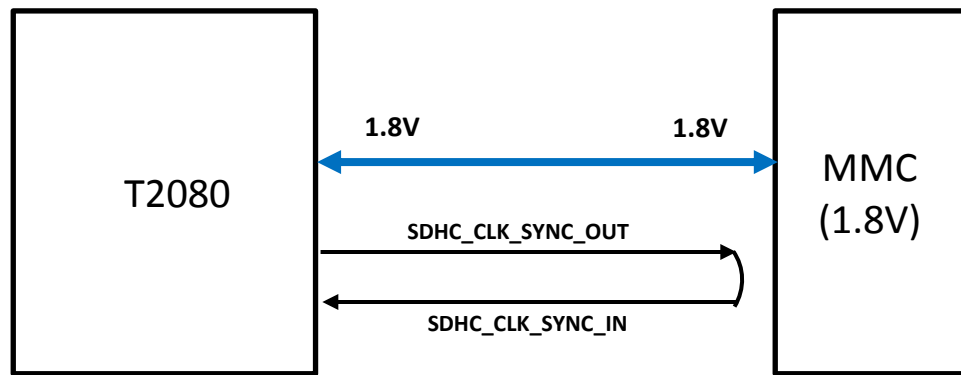


	CMD, DAT[0], DAT[1:3], CLK, CD
	DIR

- In DDR mode all the input signals are sampled with respect to SYNC_IN

- Other signals should be left NC
- SYNC_OUT should be pulled-down with a weak resistor or the pin should be configured for alternate functionality
- Voltage translator is not needed for 1.8V MMC.

MMC (1.8V) Connections for T2080 (DDR Mode)



- ↔ **CMD, DAT[0], DAT[1:7], CLK, CD**
- Other signals should be left NC
- In DDR mode all the input signals are sampled wrt SYNC_IN

Agenda

- T2080/1 Overview
- e6500 Core and Cache Hierarchy
- Power Management
- CoreNet Coherency Fabric Switch
- Data Path Acceleration Architecture (DPAA)
- SerDes Options
- Voltage ID
- eSDHC
- **PCI Express**

PCI Express

- This chip instantiates four PCI Express controllers, each with the following key features:
 - One PCI Express controller supports end-point SR-IOV
 - Two physical functions
 - 64 virtual functions per physical function
 - Eight MSI-X per either physical function or virtual function
 - Two PCI Express controllers support 2.0 (maximum lane width of x8)
 - Two PCI Express controllers support 3.0 (maximum lane width of x4)
 - Power-on reset configuration options allow root complex or endpoint functionality
 - x8, x4, x2, and x1 link widths support
 - Both 32- and 64-bit addressing and 256-byte maximum payload size
 - Inbound INTx transactions
 - Message signaled interrupt (MSI) transactions

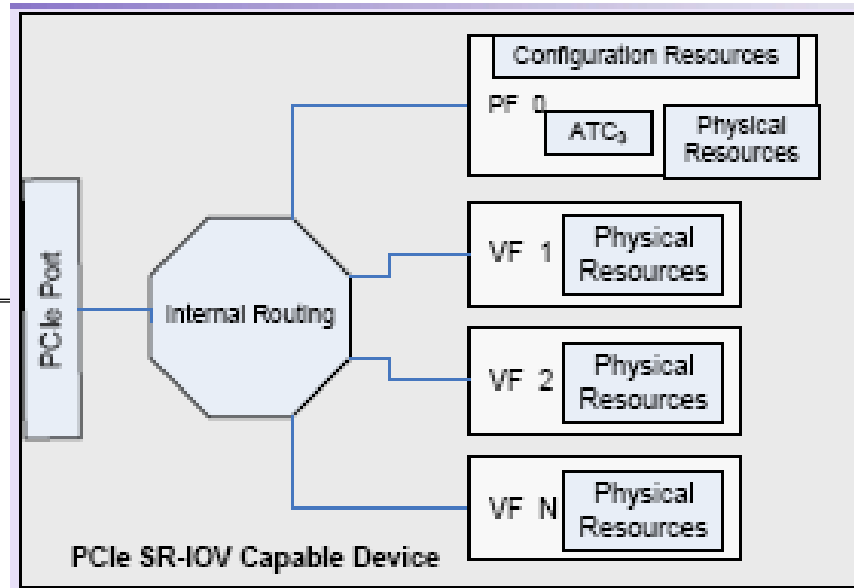
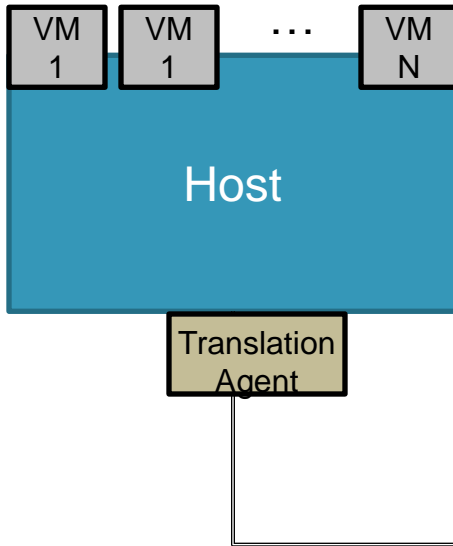
PCIe SR-IOV End Point

Use Case: T2080 as services card, Converged Network Adapter, “Intelligent NIC”.

Single Management physical or virtual machine on host handles end-point configuration.

Each Virtual Machine running on Host thinks it has a private version of the services card.

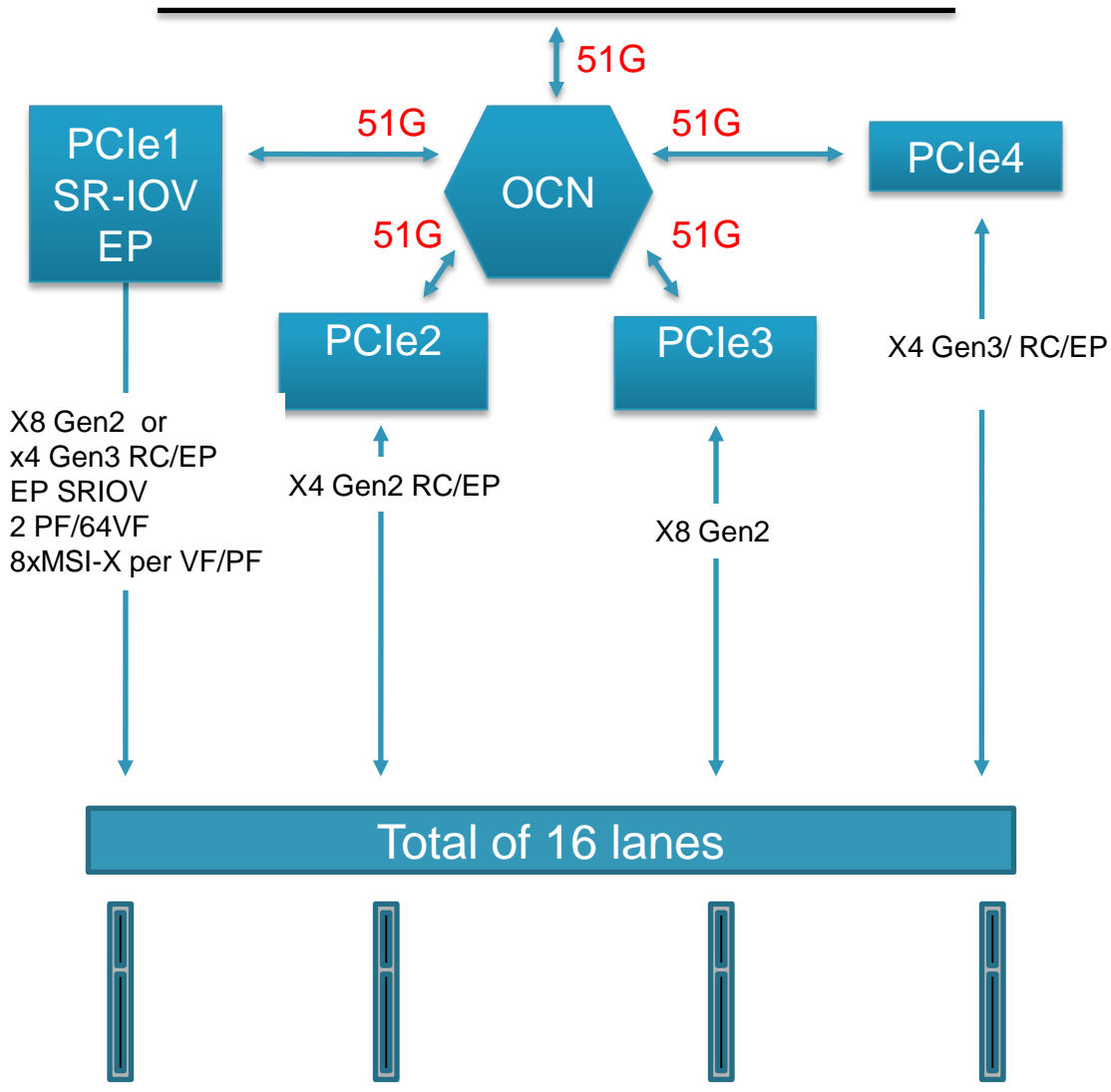
Translation agent (in host or chipset) performs PAMU like address translation on behalf of the VFs.



Goal:
Single controller (up to x4 Gen 3), 1 PF, 64 VFs



PCIe Sub System



16 SERES PCIe Configuration			
PCIe1	PCIe2	PCIe3	PCIe4
x8 _{gen2}	x4 _{gen2}	x8 _{gen2}	x4 _{gen2}
x4 _{gen3}			x4 _{gen3}



Agenda

- T2080/1 Overview
- e6500 Core and Cache Hierarchy
- Power Management
- CoreNet Coherency Fabric Switch
- Data Path Acceleration Architecture (DPAA)
- SerDes Options
- Voltage ID
- eSDHC
- PCI Express
- **Enablement**
 - **Software & Tools**
 - **Collaterals / Documentation**

T2080 Software & Tools at a Glance

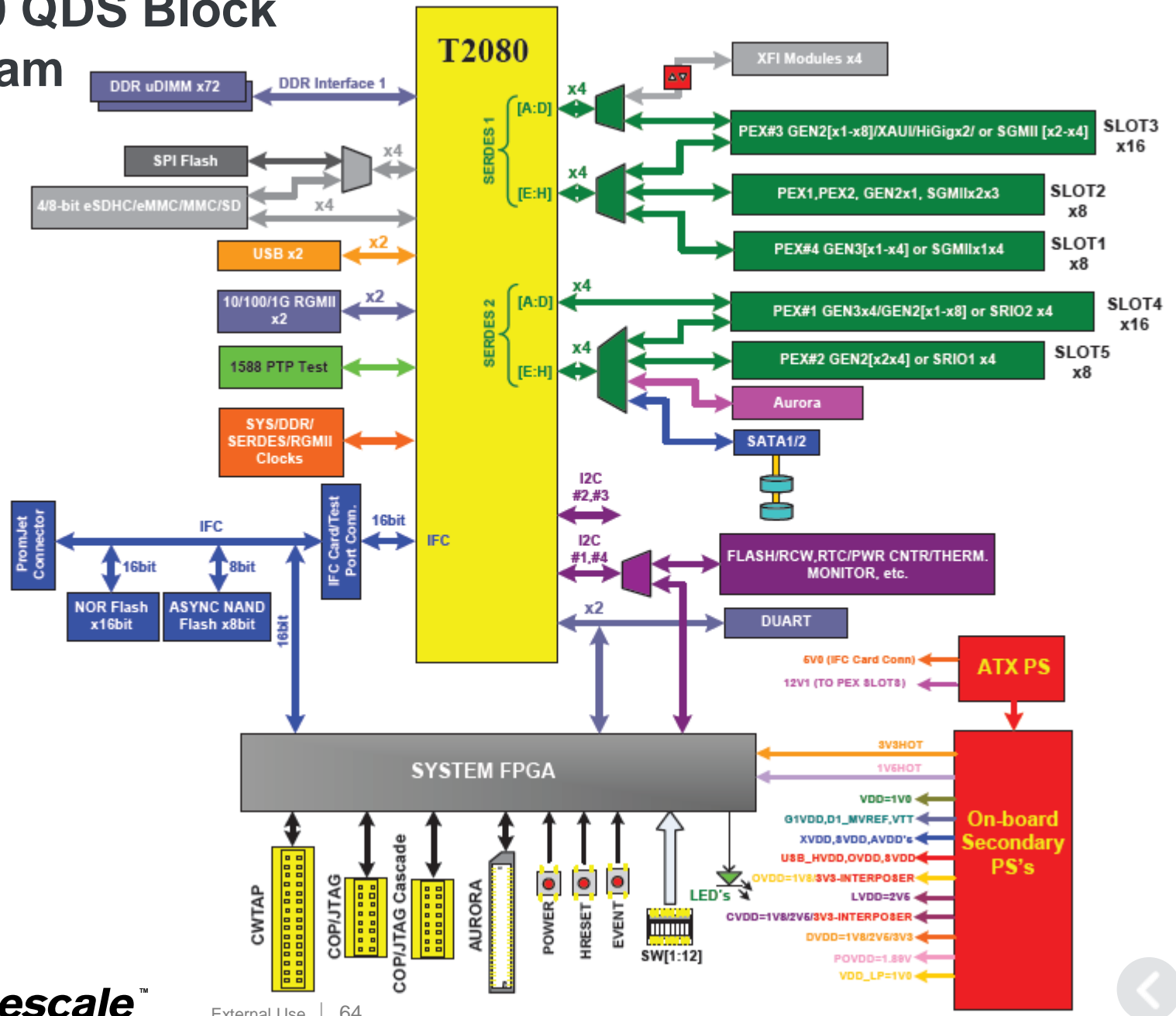
- Two Reference Design Boards
 - T2080 QDS
 - T2080 RDB
- Software Support
 - SDK 1.5
 - SDK support includes
 - Legacy features (refer SDK 1.4 release notes)
 - New features
 - FMAN and Linux based drivers
- QorIQ Configuration Suite
- Code Warrior based debugger, flash programmer



T2080 QDS



NXP T2080 QDS Block Diagram



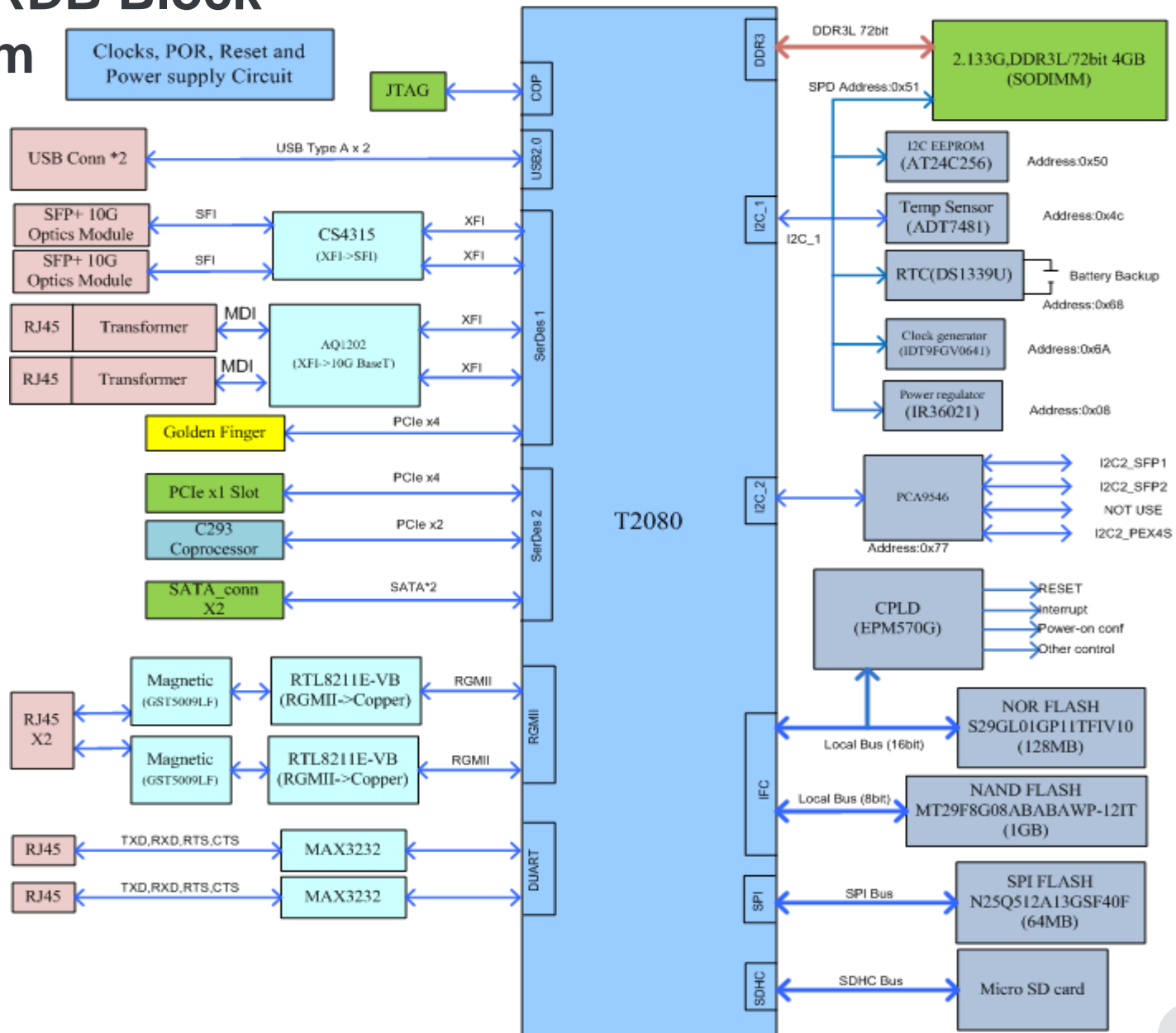


T2080 RDB System



NXP T2080 RDB Block Diagram

Diagram



Collaterals / Documentation

On the Core:

- e6500 core Reference Manual (Rev I , 2013)

On the SoC device:

- T2080 Fact-sheet and Product brief
- HW Spec Rev E
- Reference Manual Rev C
- Advanced Debug and Performance Monitoring Reference Manual
- Errata-sheet Rev B
- Application Notes
 - AN4804 – T2080 Design Checklist
 - AN4773 - Migration Guide from T2081 to T1040

Agenda

- T2080/1 Overview
- e6500 Core and Cache Hierarchy
- Power Management
- CoreNet Coherency Fabric Switch
- Data Path Acceleration Architecture (DPAA)
- SerDes Options
- Voltage ID
- eSDHC
- PCI Express
- Enablement
- **Conclusion**

QorIQ T2 Families Extend Market Leadership

- **First 64-bit embedded processor with eight virtual core and DPAA**
 - Reduces system cost, design complexity and power
- **One of the industry's most scalable, pin-compatible family of devices**
 - The T2 processor is primarily intended to succeed our successful P3041 and P2041 mid-range series of quad-core devices.
 - The T2081 is a smaller-package version of the T2080, which is pin-compatible with the quad-core T1 family.
- Ideal for **mid-range** control plane applications or mixed control and data plane applications.



Introducing The QorIQ LS2 Family

Breakthrough, software-defined approach to advance the world's new virtualized networks

New, high-performance architecture built with ease-of-use in mind
Groundbreaking, flexible architecture that abstracts hardware complexity and enables customers to focus their resources on innovation at the application level

Optimized for software-defined networking applications
Balanced integration of CPU performance with network I/O and C-programmable datapath acceleration that is right-sized (power/performance/cost) to deliver advanced SoC technology for the SDN era

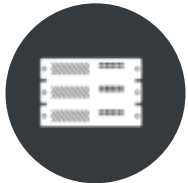
Extending the industry's broadest portfolio of 64-bit multicore SoCs
Built on the ARM® Cortex®-A57 architecture with integrated L2 switch enabling interconnect and peripherals to provide a complete system-on-chip solution

NXP QorIQ LS2 Family

Key Features



**SDN/NFV
Switching**



**Data
Center**



**Wireless
Access**

Unprecedented performance and ease of use for smarter, more capable networks

High performance cores with leading interconnect and memory bandwidth

- 8x ARM Cortex-A57 cores, 2.0GHz, 4MB L2 cache, w Neon SIMD
- 1MB L3 platform cache w/ECC
- 2x 64b DDR4 up to 2.4GT/s

A high performance datapath designed with software developers in mind

- New datapath hardware and abstracted acceleration that is called via standard Linux objects
- 40 Gbps Packet processing performance with 20Gbps acceleration (crypto, Pattern Match/RegEx, Data Compression)
- Management complex provides all init/setup/teardown tasks

Leading network I/O integration

- 8x1/10GbE + 8x1G, MACSec on up to 4x 1/10GbE
- Integrated L2 switching capability for cost savings
- 4 PCIe Gen3 controllers, 1 with SR-IOV support
- 2 x SATA 3.0, 2 x USB 3.0 with PHY



See the LS2 Family First in the Tech Lab!



4 new demos built on QorIQ LS2 processors:



Performance Analysis Made Easy



Leave the Packet Processing To Us



Combining Ease of Use with Performance



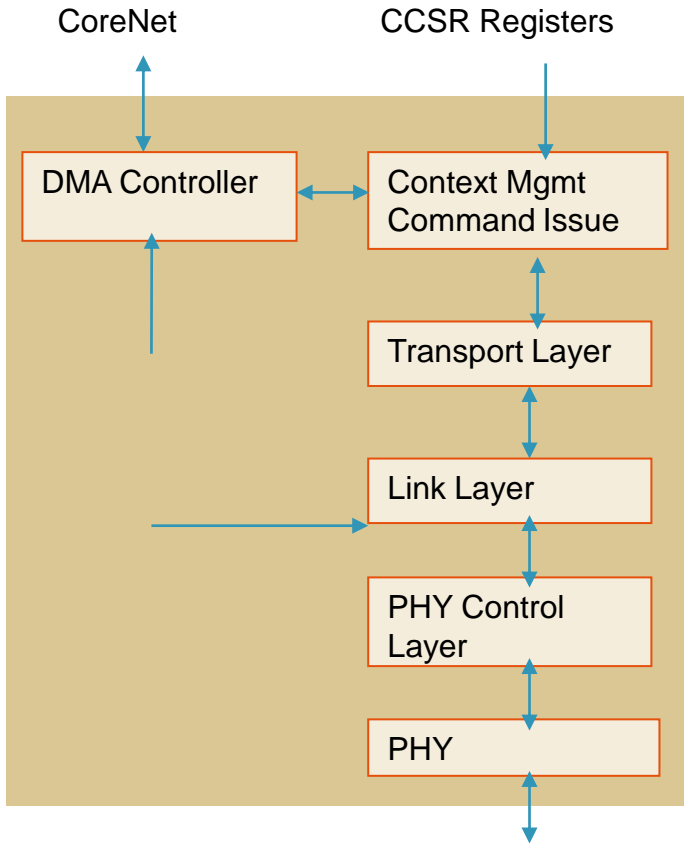
Tools for Every Step of Your Design





www.Freescale.com

SATA 2.0

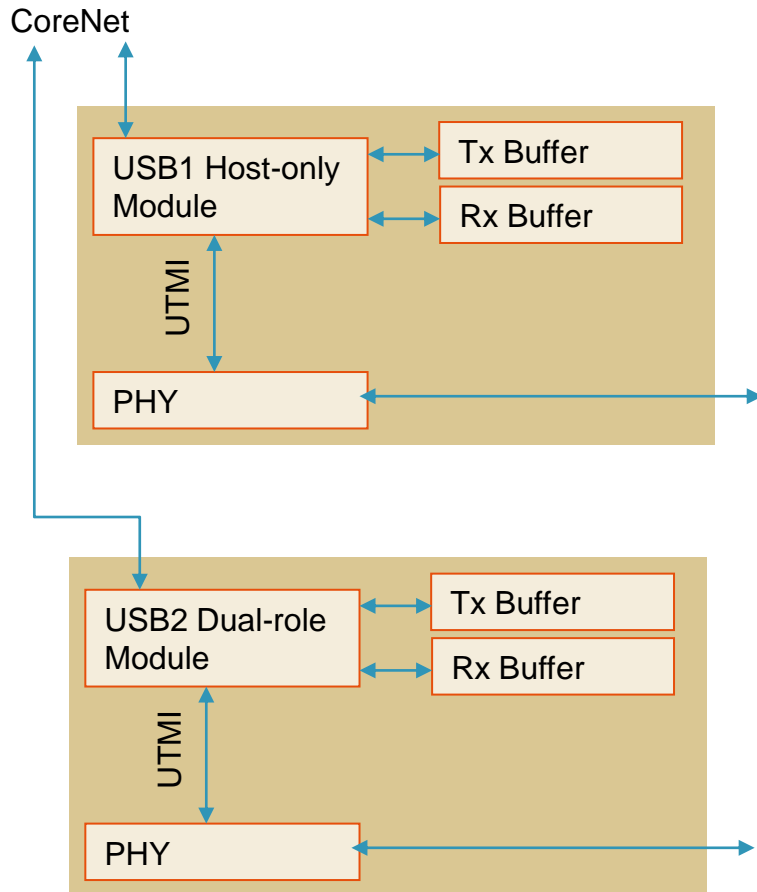


- Compliant to Serial ATA 2.6
- Supports speeds: 1.5 Gbps (first-generation SATA), 3 Gbps (second-generation SATA)
- Supports advanced technology attachment packet interface (ATAPI) devices
- High-speed descriptor-based DMA controller
- Native command queuing (NCQ) commands
- Supports port multiplier operation
- Supports hot plug including asynchronous signal recovery

See AN111 of FTF08 for more details



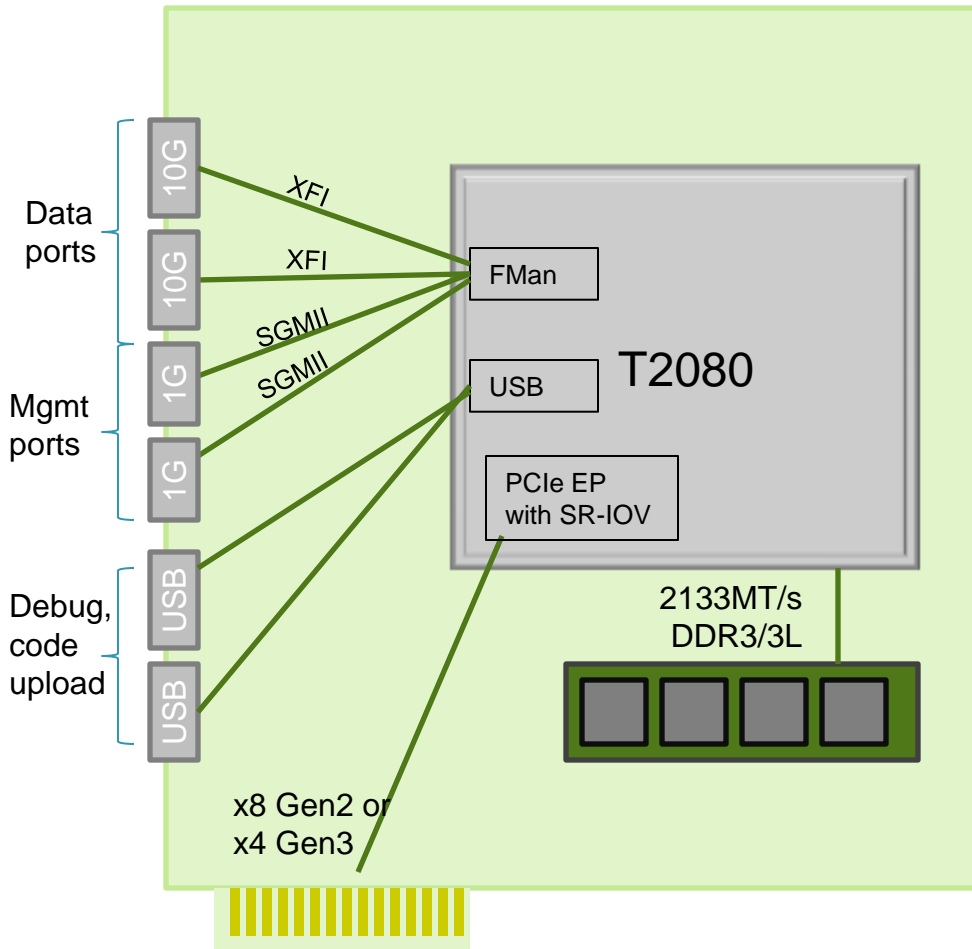
USB 2.0



- Complies with USB Specification Rev 2.0
- Operates as a standalone USB host controller
 - Enhanced host controller interface (EHCI)
- High-speed (480 Mbps), full-speed (12 Mbps), and low-speed (1.5 Mbps) operation. Low speed is only supported in host mode.
- On-chip, USB-2.0, full-speed/high-speed PHY with UTMI
- Operates as a standalone USB device
 - Supports one upstream facing port
 - Supports six bidirectional USB endpoints



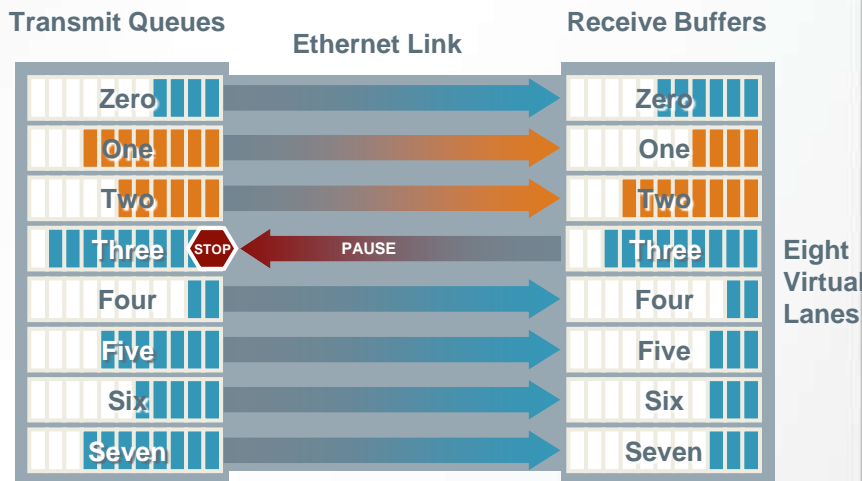
Target Application: 20Gb/s iNIC



- Well-balanced device for 20Gb/s bi-directional application:
 - FMan moves about 25Gb/s
 - 3x DMA engines move about 20Gb/s
 - x4 Gen3 or x8 Gen2 PCIe moves 32Gb/s
- SR-IOV allows virtual machines on host to see a private iNIC
- 15.5W power fits in 30W slot-provided power budget
- Improved PCIe Endpoint capabilities support customization of Device ID, Class Code, and Vendor ID. Driver can be stored in Expansion ROM
- Offload accelerators for services cards: 10Gb/s IPSEC or Kasumi, 10Gb/s pattern matching, 17.5Gb/s data compression
- PCIe card reference board available

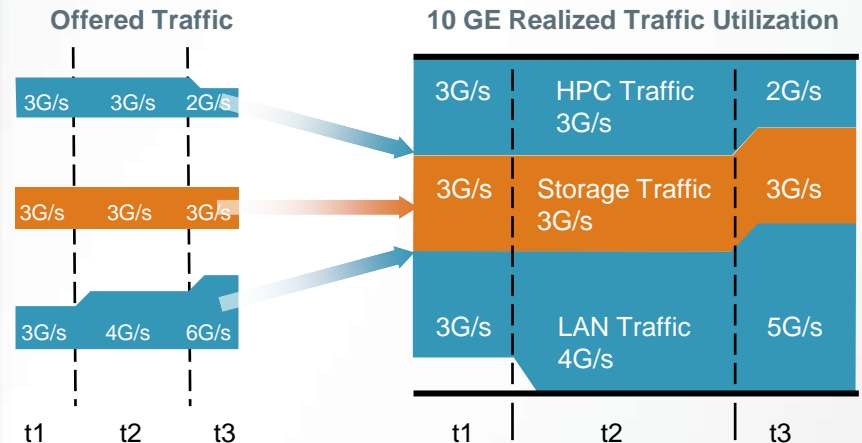
Data Center Ethernet: PFC & Bandwidth Management

Priority Flow Control



- **Enables lossless behavior for each class of service**
- **PAUSE sent per virtual lane when buffers limit exceeded**
- **IEEE 802.1Qbb**

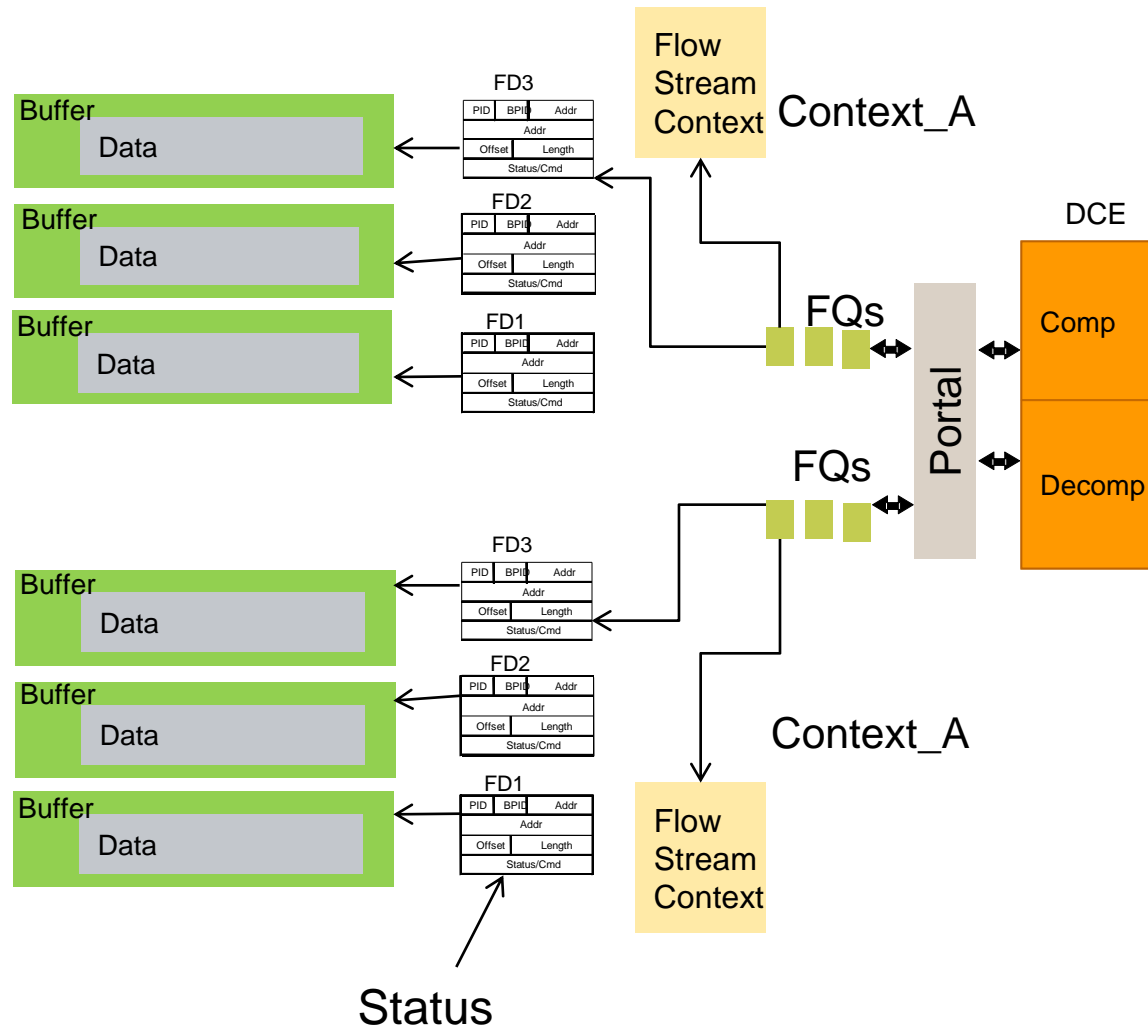
ETS CoS-based Bandwidth Management



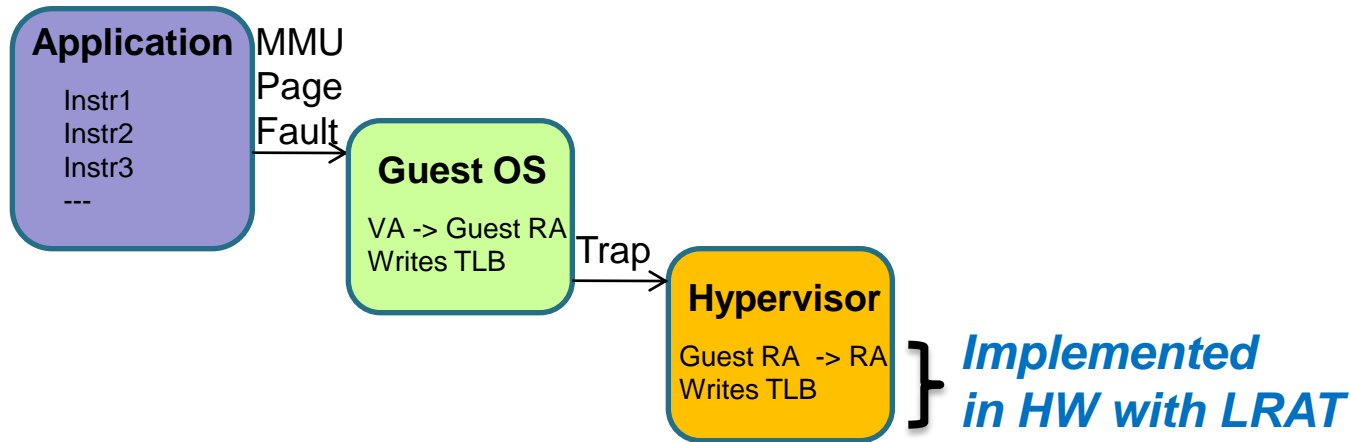
- **Enables Intelligent sharing of bandwidth between traffic classes control of bandwidth**
- **802.1Qaz**

DCE Outputs

- DCE enqueues results to SW via Frame Queues as defined by FQ Context_B field. When buffers obtained from BMan, buffer pool ID defined by Output FQ
- Each result is defined by a Frame Descriptor, which includes a Status field
- DCE updates flow stream context located at Context_A as needed

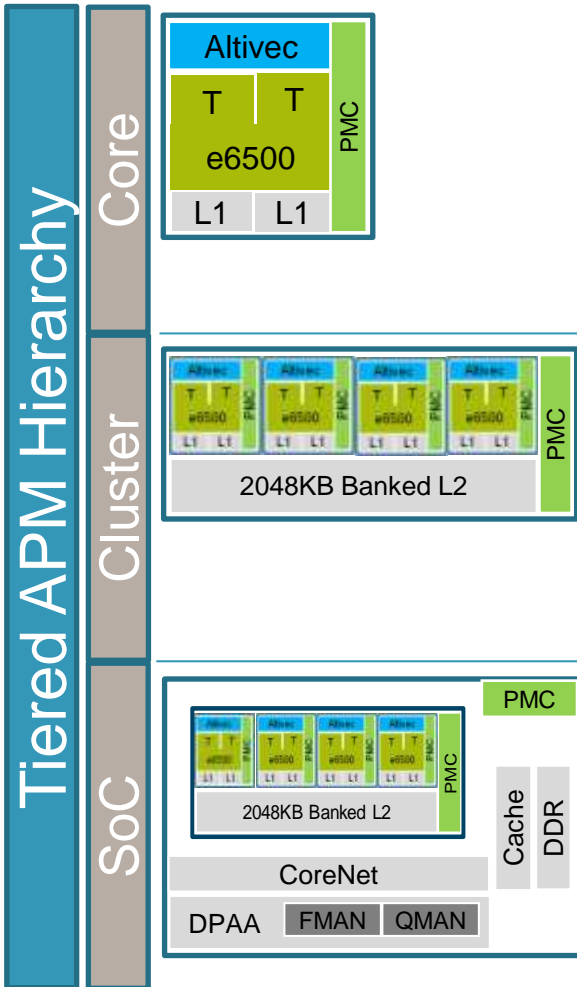


LRAT: Hypervisor Performance Improvement



- Addition of Logical to Real Address Translation in hardware
- Benefits systems where multiple applications run on multiple OSeS running on the hypervisor
- Removes the hypervisor penalty associated with TLB faults
- Performance Improvement
 - Expect 10-15% performance increase for normal workloads
 - Greater improvement expected for benchmarks like stream or Imbench

T2 Advanced Power and Energy Management

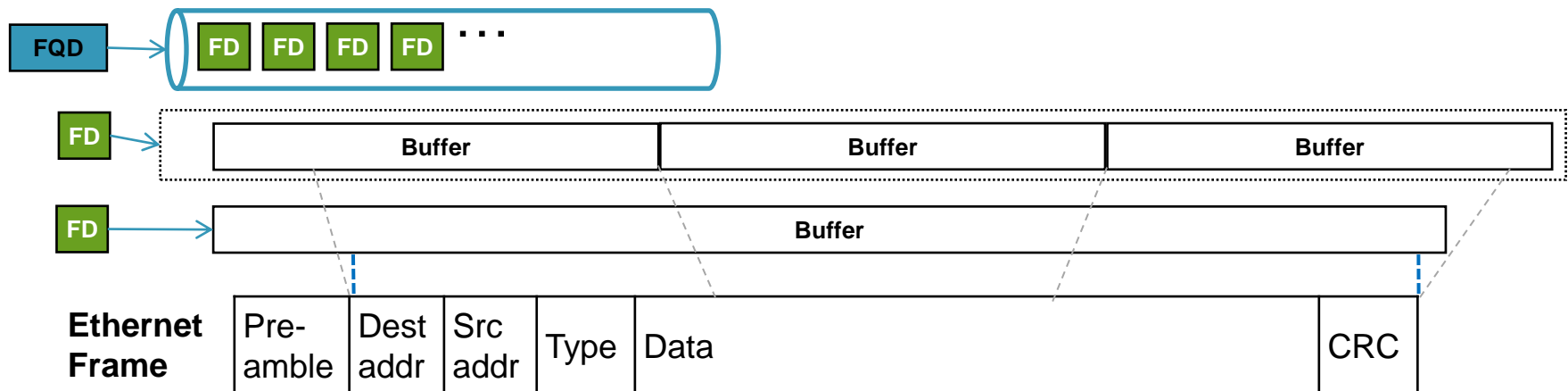


- Run, Doze, Nap
 - Wait
 - AltiVec Drowsy
 - Auto and SW controlled – maintain state
 - Core Drowsy
 - Auto and SW controlled – maintain state
 - Dynamic Clock gating
-
- Run, Nap
 - Cores and L2
 - Dynamic Frequency Scaling (DFS) of the Cluster
 - Drowsy Cluster (cores)
 - Dynamic clock gating
-
- SoC Sleep with state retention
 - SoC Sleep with RST
 - Cascade Power Management
 - Self Refresh
 - Dynamic clock gating
 - Energy Efficient Ethernet (EEE)

DPAA Terminology

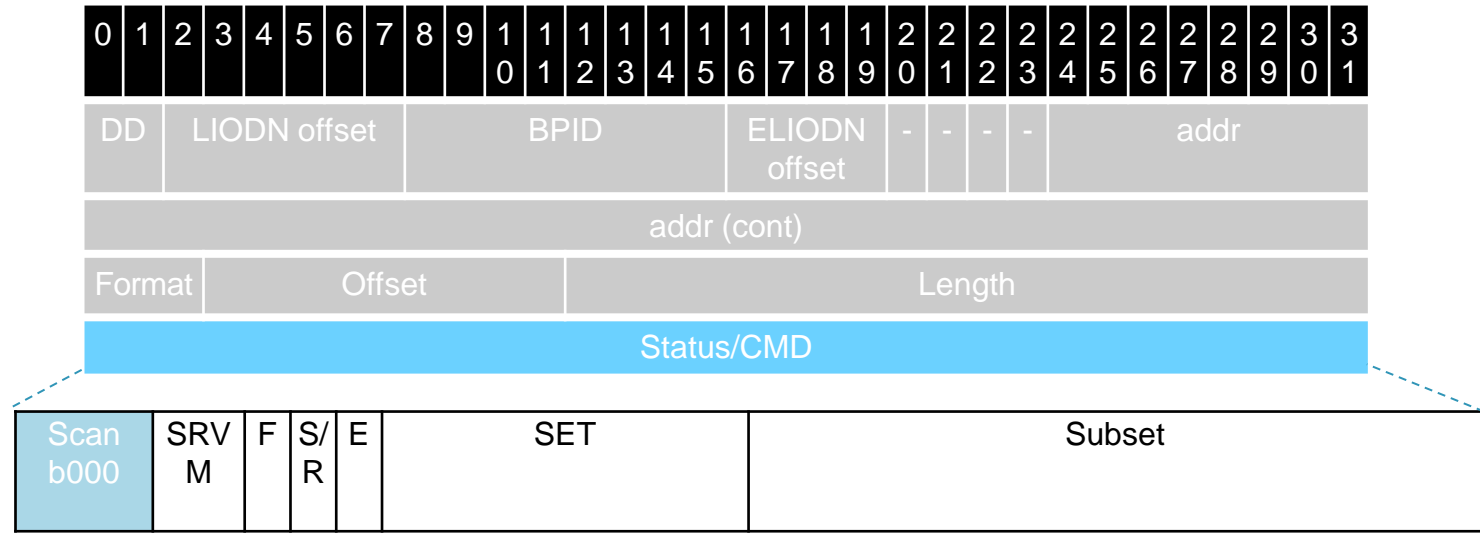
- Buffer: Unit of contiguous memory, allocated by software
- **Frame**: Buffer(s) that hold a data element (generally a packet)
 - Frames can be single buffers or multiple buffers (scatter/gather lists)
 - A “simple frame” has one delimited data element
 - A “multi-buffer frame” has two or more data elements
- **Frame Descriptor (FD)**: Proxy structure used to represent frames
- **Frame Queue**:
 - FIFO of related Frames Descriptor.(e.g. TCP session)
 - The basic queuing structure supported by QMan

Frame Queue Descriptor (FQD): Structure used to manage Frame Queues



Frame Descriptor: STATUS/CMD Treatment

- PME Frame Descriptor Commands
 - b111 NOP NOP Command
 - b101 FCR Flow Context Read Command
 - b100 FCW Flow Context Write Command
 - b001 PMTCC Table Configuration Command
 - b000 **SCAN** Scan Command

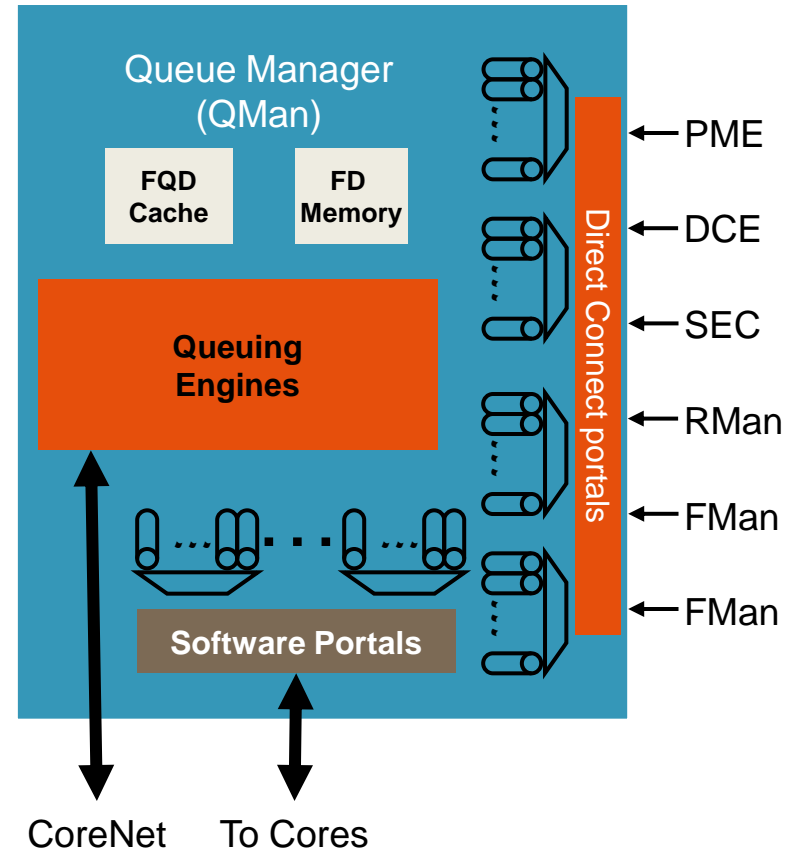


Data Center Bridging (DCB) Overview

- QMan 1.2 (e.g. QorIQ T208x) supports Data Center Bridging (DCB)
- DCB refers to a series of inter-related IEEE specifications collectively designed to enhance Ethernet LAN traffic prioritization and congestion management
- DCB can be used in:
 - Between data center network nodes
 - LAN/network traffic
 - Storage Area Network (SAN) [e.g. Fiber Channel (loss sensitive)]
 - IPC traffic [e.g. Infiniband (low latency)]
- The DPAA is compliant with the following DCB specifications (traffic management related) :
 - IEEE Std. 802.1Qbb: Priority-based flow control (PFC)
 - To avoid frame loss, PFC Pause frames can be sent autonomously by HW
 - IEEE Std. 802.1Qaz: Enhanced transmission selection (ETS)
 - Support weighted bandwidth fairness
 - IEEE 802.1Qau: Quantized Congestion Notification (QCN)
 - End-to end congestion control mechanism

Queue Management

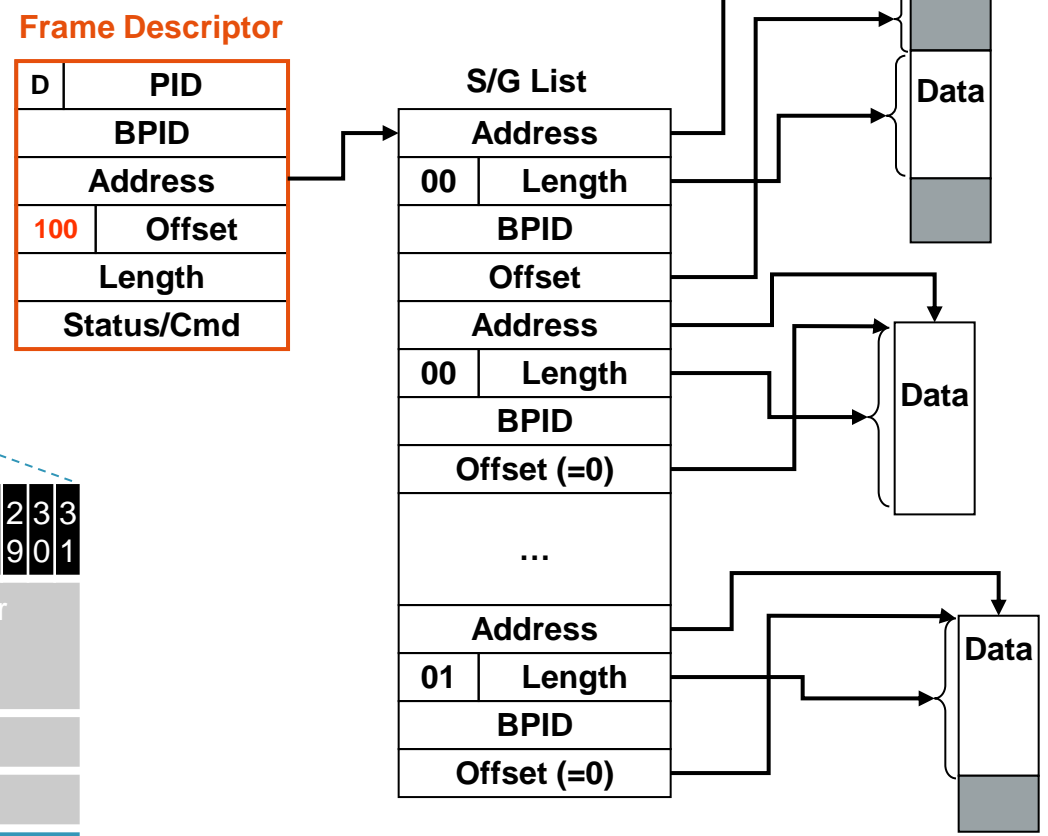
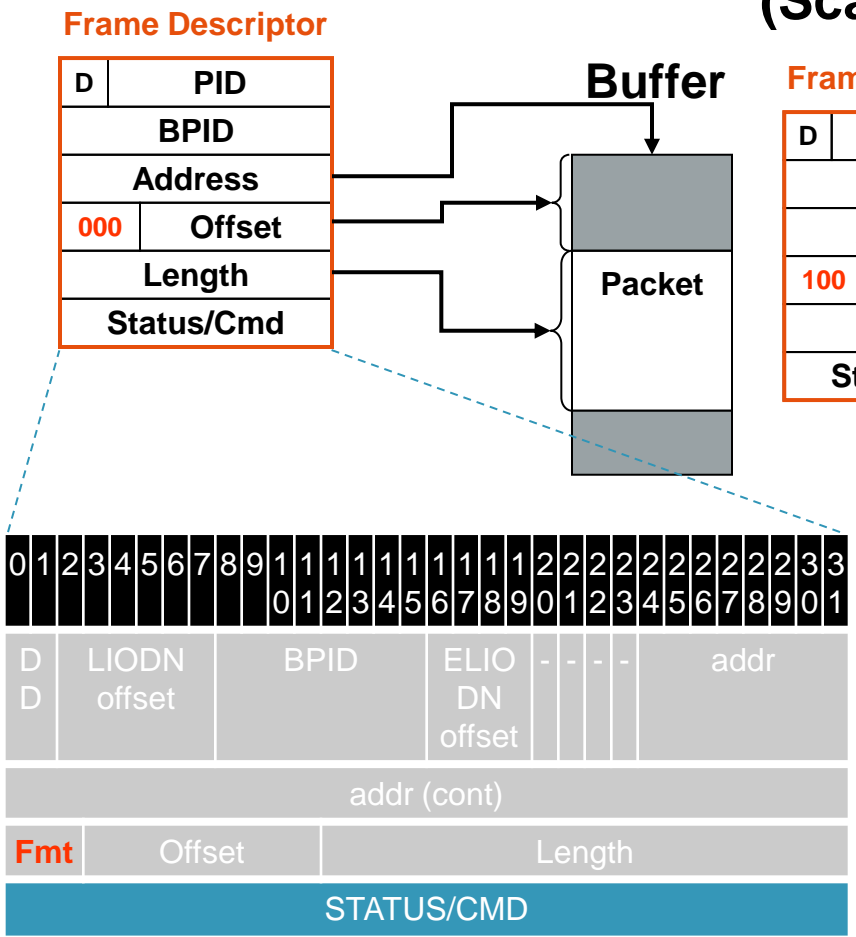
- QMan provides a way to inter-connect DPAA components
 - Cores (including IPC)
 - Hardware offload accelerators
 - Network interfaces – Frame Manager
- Queue management
 - High performance interfaces (“portals”) for enqueue/dequeue
 - Internal buffering of queue/frame data to enhance performance
- Congestion avoidance and management
 - RED/WRED
 - Tail drop for single queues and aggregates of queues
 - Congestion notification for “loss-less” flow control
- Load spreading across processing engines (cores, HW accelerators)
 - Order restoration
 - Order preservation/atomicity
- Delivery to cache/HW accelerators of per queue context information with the data (Frames)
 - This is an important offload for software using hardware accelerators



DPAA Building Block: Frame Descriptor (FD)

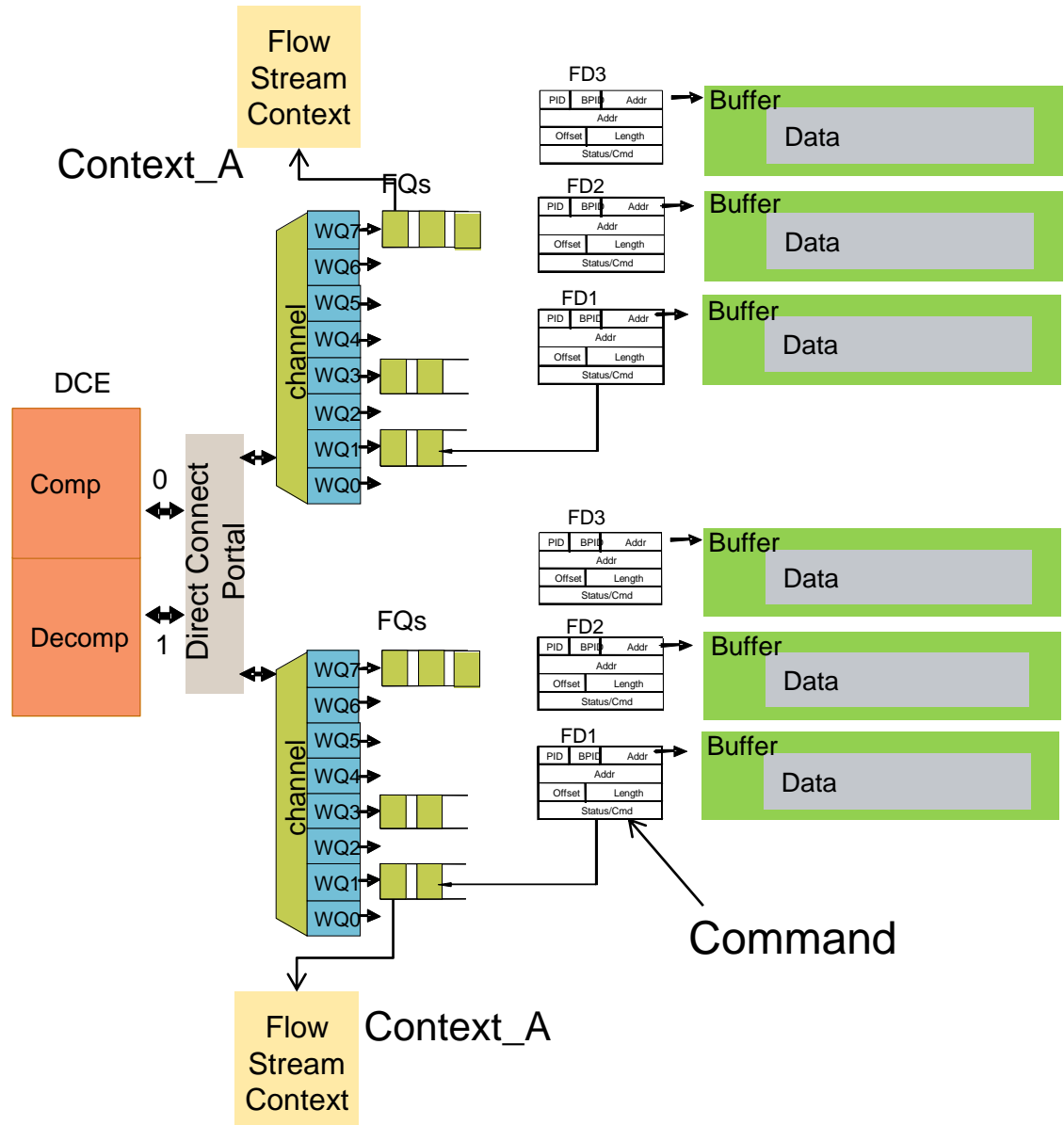
Simple Frame

Multi-buffer Frame (Scatter/gather)



DCE Inputs

- SW enqueues work to DCE via Frame Queues. FQs define the flow for stateful processing
- FQ initialization creates a location for the DCE to use when storing flow stream context
- Each work item within the flow is defined by a Frame Descriptor, which includes length, pointer, offsets, and commands
- DCE has separate channels for compress and decompress





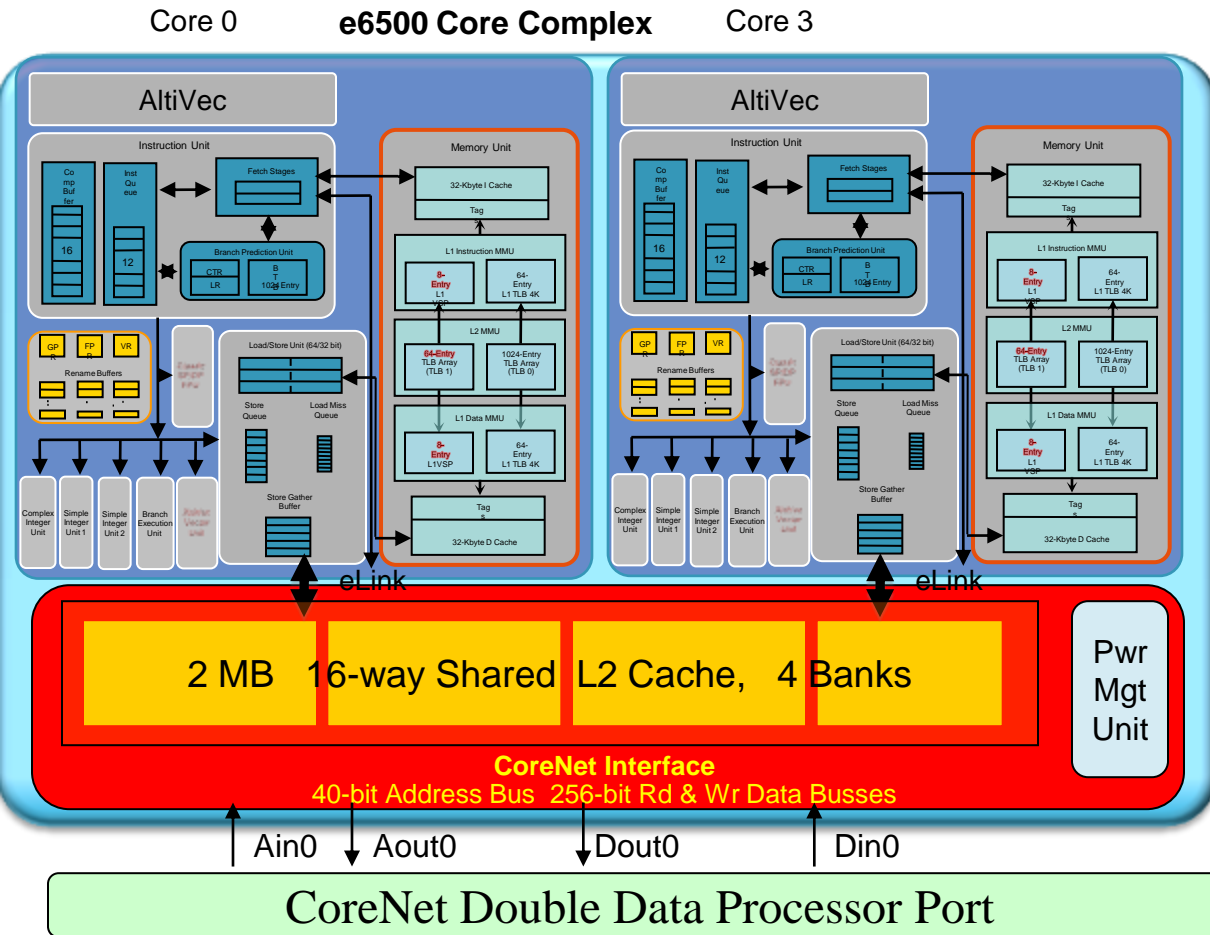
e500mc/e6500 Caching Structure Differences

	e500mc	e6500	Implication
L1	32kB. Can lock per core	32kB. Can lock per core.	e6500 doesn't lock per thread.
L2	128kB per core	2MB shared	There will be a somewhat different latency profile, overall improved for e6500
L3	1MB	512kB	

- Cache changes are transparent to user application
- L1 locking is less granular in e6500



NXP e5500 Core Complex



- 64-bit Power Architecture
- 28 nm Technology
- e5500 core features plus:
 - Shared L2 in cluster of 4 cores
 - 2 MB 16-way, 4 Banks
 - Scalable from 128 KB-4 MB
 - High-performance eLink bus between coreLd/St and instruction fetch units
- Power
 - Drowsy core and caches
 - Power Mgt Unit
 - Wait-on-reservation instruction
- Enhanced MP Performance
 - Accelerated Atomic Operations
 - Optimized Barrier Instructions
 - Fast intra-cluster sharing
- AltiVec SIMD Unit
- CoreNet BIU
 - 256-bit Din and Dout data busses
- 40-bit Real Address
 - 1 Terabyte physical address space
- LRAT
 - Logical to Real Address translation mechanism for improved hypervisor performance

- Each thread: Superscalar, seven-issue, out-of-order execution/in-order completion
- Branch unit with a 1024-entry, 4-way set associative Branch Target/History
- Three integer units: 2 Simple, 1 Complex for integer Multiply & Divide, 1 Floating-point Unit, 1 AltiVec Unit, 2 Load/Store Units
- 64 TLB SuperPages, 1024-entry 4K Pages, 40-bit Physical Address



P3041 vs T2080 Core Compatibility

e6500 and e500mc Compatibility

- User code runs equally well on e6500 or e500mc
 - Interrupts per thread
 - Soft reset per thread (hard reset per core only)
 - Debug state per thread
- Changes are hidden by OS
 - L2 initialization uses a different register
 - Cache locking controlled differently
- P4080 SDK, emulated for e6500, didn't require changes
- Additional enablement for new features not present on e500mc: 64b, drowsy power manager, Altivec

P3041 vs. T2080 DPAA Differences

- API enables minimal changes moving from P3041 to T2080
- SDK running on P3041 can be running with no changes for T2080
- Changes required to take advantage of new features:
 - Data compression engine
 - Storage Profiles
 - Data Center Bridging
 - Traffic Management
- Other
 - 8x GE sourced by single FMan on T2080 sources vs. single Fman on P3041

Ethernet Termination

Ethernet enhancements compared to P2041/P3041:

- Storage Profile selection (up to 32 Profiles per port) based on classification. Where storage profile contains
 - LION offset
 - Up to four buffer pools per Storage Profile
 - Buffer Start margin/End margin configuration
 - S/G disable
 - Flow control configuration.
- IEEE802.3az (Energy Efficient Ethernet)
- IEEE802.3bf (Time sync)
- TX confirmation/error queue enhancements
 - Ability to configure separate FQID for normal confirmations vs errors
- Separate FD status for Overflow and physical error
- Egress Shaping (Definition in process)
- T2080 supports Datacenter Bridging
 - Priority Flow Control (PFC, IEEE 802.1Qbb)
 - Enhanced Transmission Selection (ETS, IEEE 802.1Qaz)
 - Data Center Bridging Exchange Notification (DCBX, currently part of IEEE 802.1Qaz, leverages 802.1AB (LLDP))

