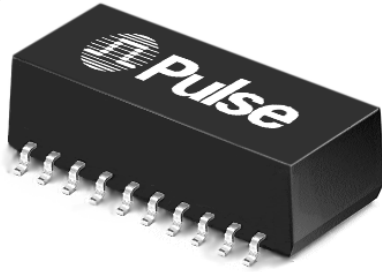


# ISDN S-INTERFACE MODULES

## Surface Mount, Dual, 1500 Vrms



**NEW!**



- Meets the pulse waveform template of CCITT I.430 when recommended transformer and chip pair are used
- Developed for enhanced EMC performance
- Excellent longitudinal balance
- Transfer molded package
- Low or high frequency choke options available

### Electrical Specifications @ 25°C — Operating Temperature 0°C to 70°C

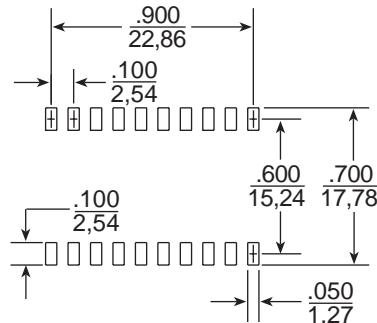
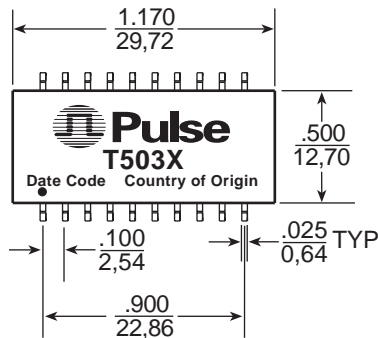
Part Number	Transformer							Choke		$\Delta I_{bc}$ (mA MAX)	Secondary Pins
	Ratio $\pm 2\%$ (Pri:Sec)	OCL Pri (mH MIN)	$L_L$ Sec ( $\mu$ H MAX)	$C_{ww}$ (pF MAX)	CD Pri (pF MAX)	DCR Pri ( $\Omega$ +25% MAX)	DCR Sec ( $\Omega$ +25% MAX)	OCL	DCR ( $\Omega$ MAX)		
T5034	1CT:2CT	30	10	150	100	3.4	5.4	4.7 mH	1.4	3	20-18, 13-11
T5037	1CT:2.5CT	30	10	150	100	3.4	7.0	4.7 mH	1.4	3	20-18, 13-11
T5038	1CT:2CT	30	10	150	100	3.4	5.4	470 $\mu$ H	1.4	3	20-18, 13-11
T5039	1CT:2.5CT	30	10	150	100	3.4	7.0	470 $\mu$ H	1.4	3	20-18, 13-11
T5049	1CT:1CT	30	10	150	100	3.4	3.4	4.7 mH	1.4	3	20-18, 13-11

NOTE: Optional Tape & Reel packaging can be ordered by adding a "T" suffix to the part number (ex: T5034T).

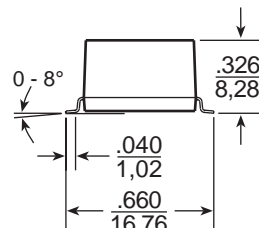
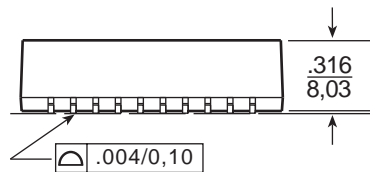
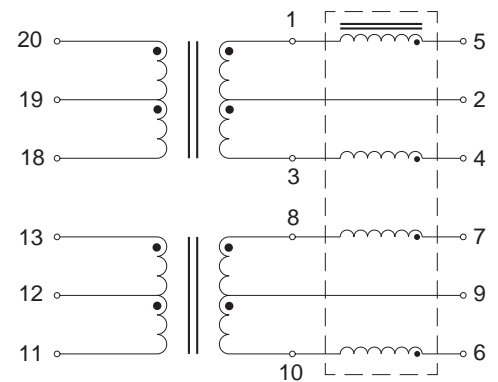
## Mechanical

## Schematic

CEZ



SUGGESTED PAD LAYOUT



Weight ..... 6.94 grams  
Tape & Reel ..... .250/reel  
Tube ..... .15/tube

Dimensions: Inches  
mm  
Unless otherwise specified, all tolerances are  $\pm \frac{.010}{0.25}$

U.S.A: TEL 619 674 8100 • EUROPE: TEL 44 1483 401700 • ASIA: TEL 886 7 821 3141 • WEB: <http://www.pulseeng.com>

T635.B (10/98)

# ISDN S-INTERFACE MODULES

## Surface Mount, Dual, 1500 Vrms



### Module Selection Guide

IC Manufacturer	IC Part Number	Pulse Part Number
AMD	AM79C 30A/32A	T5034/T5038
Lucent (AT&T)	T7234/T7254/T7250/T7256/T7259 T7903	T5037/T5039 T5034/T5038
Mietec	MTC-2072	T5034/T5038
Mitel	MT8930/8931	T5034/T5038
Motorola	MC145574	T5037/T5039
National	TP3420/3421	T5034/T5038
SGS Thomson	ST5420/5421	T5034/T5038
Siemens	PEB2080/2081/2084/2085/2086 PSB 2186 PSB 21381/21382/21383/21384	T5034/T5038 T5049
Yamaha	YM7405B	T5034/T5038

## Definition of Terms

**Ratio:** This is the turns ratio, expressed as "Primary:Secondary". The term "CT" designates a center tapped winding.

**OCL:** Open Circuit Inductance, measured 20 KHz, 100 mV.

**L<sub>L</sub> Sec:** Leakage Inductance measured across the primary with the respective secondary winding short circuited.

**C<sub>ww</sub>:** Winding capacitance, formed by the primary and secondary wire. These wires form the "Plates" of this capacitor. Measured at 100 KHz, 20 mV.

**CD Pri:** This is the distributed capacitance.

**DCR:** This is the resistance of the windings when measured in DC conditions.

**Δ I<sub>DC</sub>:** The maximum specified unbalanced DC current capability of the device.

The minimum primary inductance and the maximum distributed capacitance satisfy the transmitter output and receiver input impedance requirements of CCITT I.430 for both TE and NT.

The maximum distributed capacitance allows sufficient margin for the capacitance of the IC and a protection diode network. It is consistent with the overall maximum value specified and permitted length of the basic access TE cord.

**Flammability** – Materials used in the products are recognized UL94-VO. Products meet the requirements of IEC 695-2-2 (needle flame test).

# ISDN S-INTERFACE MODULES

## Surface Mount, Dual, 1500 Vrms



### Application Notes

The S-Interface is the standardized four wire digital telephone access point defined by the CCITT I-Series recommendations for the Integrated Service Digital Network. This "basic rate access" accommodates two 64 Kbps "B-channels" for information, one 16 Kbps "D-channel" intended for signaling and

control, and 48 Kbps for framing and other purposes, giving a total rate of 192 Kbps. The CCITT physical layer recommends that the user network interface be transformer coupled as shown in our typical application notes.

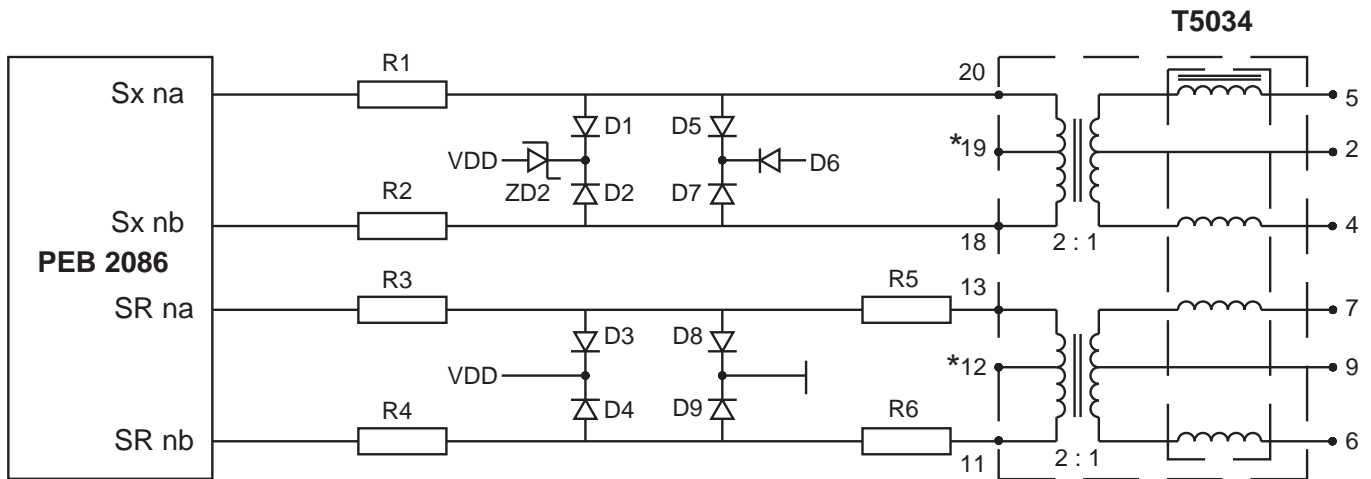


Figure 1 – Typical S-Interface Application Circuit for Siemens PEB 2086

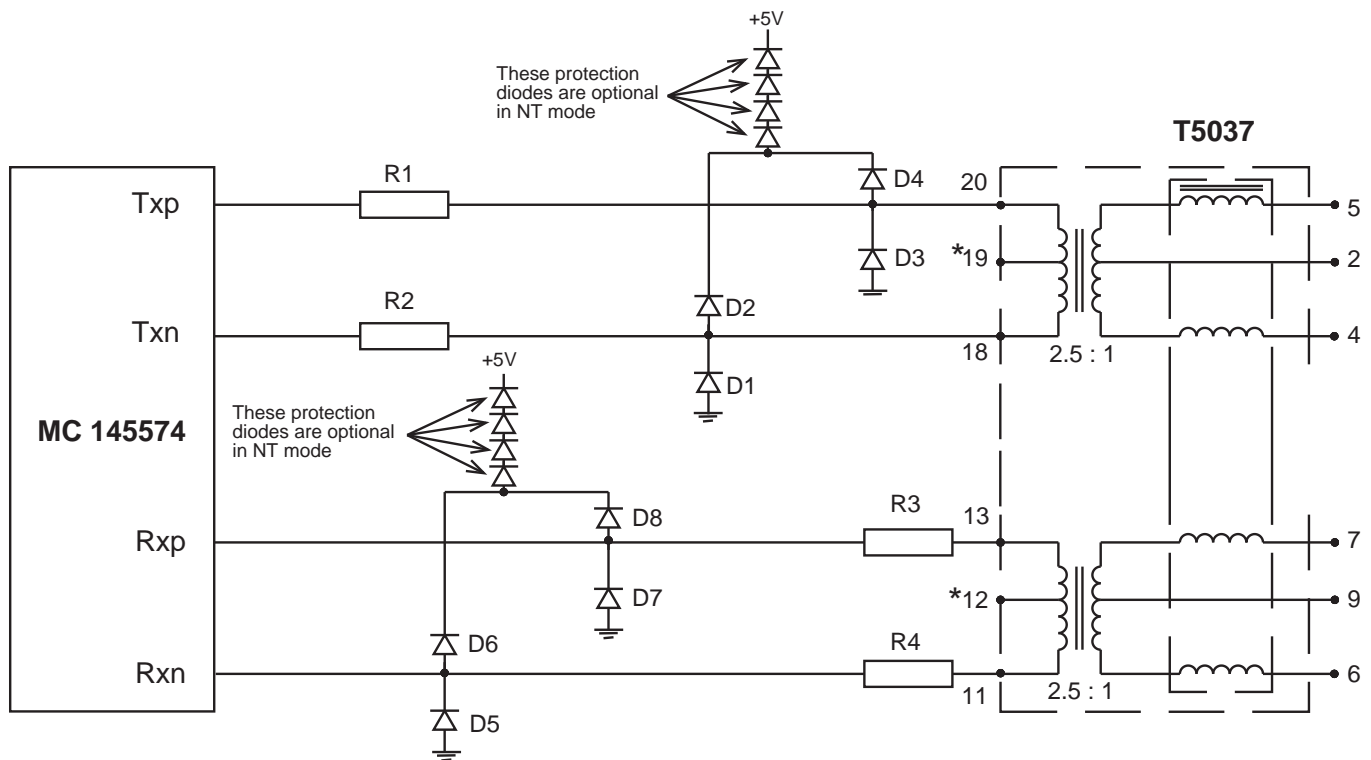


Figure 2 – Typical S-Interface Application Circuit for Motorola MC145574

\*NOTE : Refer to Silicon Vendors' Application Notes for more details on power supply connection and specific component values.