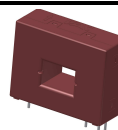


K-No.: 24959
100 A Current Sensor Module for 5V-Sply Voltage

 For electronic current measurement:
 DC, AC, pulsed, mixed ...,
 with a galvanic isolation between
 primary circuit (high power) and
 secondary circuit (electronic circuit)

Date: 23.09.2016
Customer: Standard type
Customers Part no.:
Page 1 of 4
Description

- Closed loop (compensation)
Current Sensor with magnetic field probe
- Printed circuit board mounting
- Casing and materials UL-listed

Characteristics

- Excellent accuracy
- Very low offset current
- Very low temperature dependency and offset current drift
- Very low hysteresis of offset current
- short response time
- Wide frequency bandwidth
- Compact design
- Reduced offset ripple

Applications

Mainly used for stationary operation in industrial applications:

- AC variable speed drives and servo motor drives
- Static converters for DC motor drives
- Battery supplied applications
- Switched Mode Power Supplies (SMPS)
- Power Supplies for welding applications
- Uninterruptible Power Supplies (UPS)

Electrical data – Ratings

		min.	typ.	max.	Einheit
I_{PN}	Primary nominal r.m.s. current			100	A
V_{out}	Output voltage @ I_P			$V_{Ref} \pm (0.625 \cdot I_P / I_{PN})$	V
\bar{V}_{out}	Output voltage @ $I_P=0, T_A=25^\circ C$			$V_{Ref} \pm 0.0025$	V
V_{Ref}	Reference voltage external	0		4	V
\bar{V}_{Ref}	Reference voltage internal			2.5 ± 0.005	V
K_N	Turns ratio			1 : 1000	

Accuracy – Dynamic performance data

		min.	typ.	max.	Unit
$I_{P,max}$	Max. measuring range	± 230			
X	Accuracy @ $I_{PN}, T_A=25^\circ C$			1	%
ϵ_L	Linearity			0.1	%
$V_{out} -2,5V$	Offset voltage @ $I_P=0, T_A=25^\circ C$			± 2.5	mV
$\Delta V_{out} / 2,5V / \Delta T$	Temperature drift of V_{out} @ $I_P=0, T_A=-40...85^\circ C$		3	10	ppm/K
t_r	Response time @ 80% von I_{PN}		1		μs
$\Delta t (I_{P,max})$	Delay time at $di/dt = 100 A/\mu s$		1		μs
f	Frequency bandwidth	DC...100			kHz

General data

		min.	typ.	max.	Unit
T_A	Ambient operating temperature	-40		+85	$^\circ C$
T_S	Ambient storage temperature	-40		+85	$^\circ C$
m	Mass		18		g
V_C	Supply voltage	4.75	5	5.25	V
I_{C0}	Current consumption		16		mA
S_{clear}	Clearance (component without solder pad)	12			mm
S_{creep}	Creepage (component without solder pad)	12			mm
V_{sys}	System voltage overvoltage category III			600	V_{RMS}
V_{work}	Working voltage (table 3 acc. to IEC 61800-5-1:2007) overvoltage category 2			1000	V_{RMS}
U_{PD}	Rated discharge voltage			1414	V_{peak}
	Max. potential difference acc to UL 508			600	V_{RMS}

Constructed and manufactured and tested in accordance with IEC 61800-5-1:2007 (Primary to Secondary)
 Reinforced insulation, Insulation material group 1, Pollution degree 2, Overvoltage category III

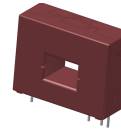
Date	Name	Issue	Amendment
23.09.16	Ockajak	81	Typo: changed test voltage from M3024 to M3014. Minor change.
07.04.15	DJ	81	Sensor changed back to issue "81". Data sheet changed. CN-15-276

Hrsg.: MC-PD editor	Bearb: DJ designer	MC-PM: KRe. check	freig.: BEF released
------------------------	-----------------------	----------------------	-------------------------

K-No.: 24959

100 A Current Sensor Module for 5V-Sply Voltage

For electronic current measurement:
DC, AC, pulsed, mixed ...,
with a galvanic isolation between
primary circuit (high power) and
secondary circuit (electronic circuit)



Date: 23.09.2016

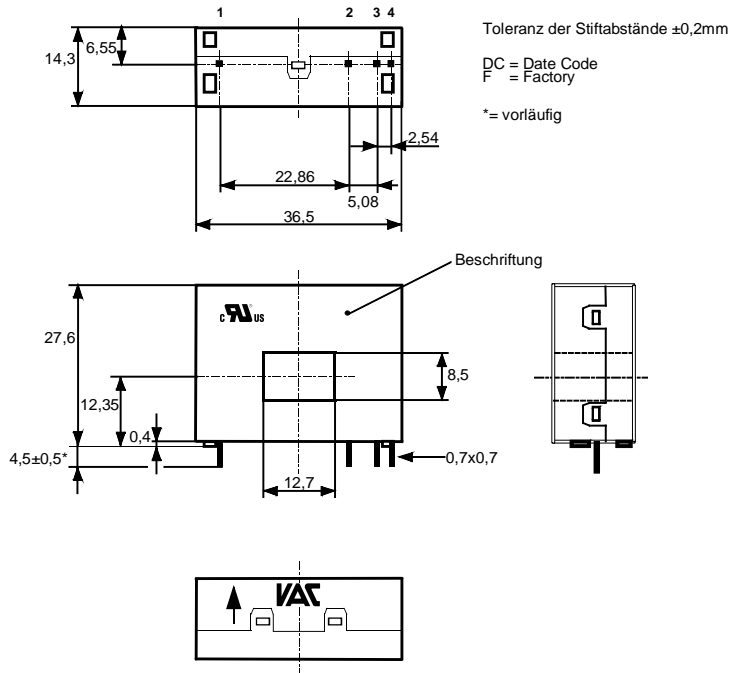
Customer: Standard type

Customers Part no.:

Page 2 of 4

Mechanical outline (mm):

General tolerances DIN ISO 2768-c



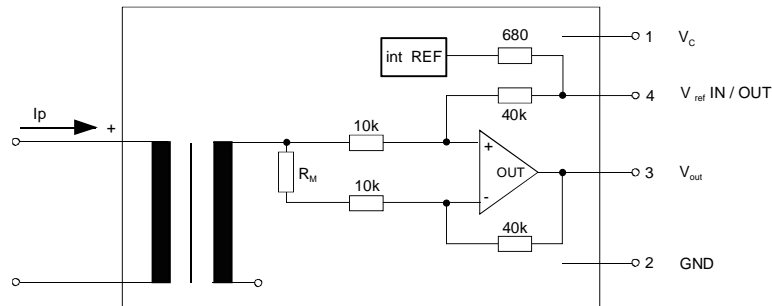
Connections:

1..4 = 0.7 x 0.7mm

Marking:

UL-sign
 4646-X160
 F DC

Schematic diagram



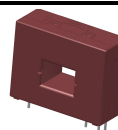
Hrsg.: MC-PD
editor

Bearb.: DJ
designer

MC-PM: KRe.
check

freig.: BEF
released

K-No.: 24959
100 A Current Sensor Module for 5V-Sply Voltage

 For electronic current measurement:
 DC, AC, pulsed, mixed ...,
 with a galvanic isolation between
 primary circuit (high power) and
 secondary circuit (electronic circuit)

Date: 23.09.2016
Customer: Standard type
Customers Part no.:
Page 3 of 4
Electrical Data

		min.	typ.	max.	Unit
V_{Ctot}	Maximum supply voltage (without function)			6	V
I_C	Supply Current with primary current		$16mA + I_p \cdot K_N + V_{out}/R_L$		mA
$I_{out,SC}$	Short circuit output current		± 20		mA
R_S	Secondary coil resistance @ $T_A=85^\circ C$			14	Ω
$R_{i,Ref}$	Internal resistance of Reference input		670		Ω
$R_{i,(V_{out})}$	Output resistance of V_{out}			1	Ω
R_L	External recommended resistance of V_{out}	1			k Ω
C_L	External recommended capacitance of V_{out}			500	pF
$\Delta X_T/\Delta T$	Temperature drift of X @ $T_A = -40 \dots +85^\circ C$			40	ppm/K
$\Delta V_0 = \Delta(V_{out} - V_{Ref})$	Sum of any offset drift including:		2	6	mV
V_{0t}	Long term drift of V_0		1		mV
V_{0T}	Temperature drift von V_0 @ $T_A = -40 \dots +85^\circ C$		1		mV
V_{0H}	Hystereses of V_{out} @ $I_P=0$ (after an overload of $10 \times I_{PN}$)			0.7	mV
$\Delta V_0/\Delta V_C$	Supply voltage rejection ratio			1	mV/V
V_{oss}	Offsetripple (with 1 MHz- filter first order)			20	mV
V_{oss}	Offsetripple (with 100 kHz- filter first order)		2.5	6	mV
V_{oss}	Offsetripple (with 20 kHz- filter first order)		0.7	1.5	mV
C_k	Maximum possible coupling capacity (primary – secondary) Mechanical stress according to M3209/3 Settings: 10 Hz, 1 min/Oktave, 2 hours		6		pF

Inspection (Measurement after temperature balance of the samples at room temperature, SC = significant characteristic)

$V_{out}(SC)$	(V) M3011/6:	Output voltage vs. internal reference ($I_P=100A$, 40-80Hz)	$625 \pm 0.7\%$	mV
$V_{out} - V_{Ref}$	(V) M3226:	Offset voltage	± 0.0025	V
V_d	(V) M3014:	Test voltage, RMS, 1 s pin 1-4 to inner hole	1.8	kV
V_e	(AQL 1/S4):	Partial discharge voltage acc.M3024 with V_{vor}	1500 1875	V_{RMS} V_{RMS}

Type Testing (Pin 1-4 to inner hole)

V_W	HV transient test according to M3064 (1,2 μs / 50 μs -wave form)	8	kV
V_d	Testing voltage to M3014	(5 s)	3.6 kV
V_e	Partial discharge voltage acc.M3024 with V_{vor}	1500 1875	V_{RMS} V_{RMS}

Applicable documents

 Current direction: A positive output current appears at point I_S , by primary current in direction of the arrow.

Enclosures according to IEC529: IP50.

 Temperature of the primary conductor should not exceed $110^\circ C$

Further standards UL 508, file E317483, category NMTR2 / NMTR8

 Hrsg.: MC-PD
editor

 Bearb.: DJ
designer

 MC-PM: KRe.
check

 freig.: BEF
released