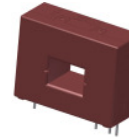


K-No.: 25256

50 A Current Sensor Module for 5V-Supply Voltage

 For electronic current measurement:
 DC, AC, pulsed, mixed ...,
 with a galvanic isolation between
 primary circuit (high power) and
 secondary circuit (electronic circuit)


Date: 05.11.2012

Customer: Standard type

Customers Part no.:

Page 1 of 2

Description

- Closed loop (compensation) Current Sensor with magnetic field probe
- Printed circuit board mounting
- Casing and materials UL-listed

Characteristics

- Excellent accuracy
- Very low offset current
- Very low temperature dependency and offset current drift
- Very low hysteresis of offset current
- short response time
- Wide frequency bandwidth
- Compact design
- Reduced offset ripple

Applications

Mainly used for stationary operation in industrial applications:

- AC variable speed drives and servo motor drives
- Static converters for DC motor drives
- Battery supplied applications
- Switched Mode Power Supplies (SMPS)
- Power Supplies for welding applications
- Uninterruptible Power Supplies (UPS)

Electrical data – Ratings

		min.	typ.	max.	Einheit
I_{PN}	Primary nominal r.m.s. current		50		A
V_{out}	Output voltage @ I_P			$V_{Ref} \pm (0.625 \cdot I_P / I_{PN})$	V
V_{out}	Output voltage @ $I_P=0, T_A=25^\circ C$			$V_{Ref} \pm 0.0025$	V
V_{Ref}	Reference voltage external	0		4	V
V_{Ref}	Reference voltage internal		2.5 ± 0.005		V
K_N	Turns ratio		1 : 1000		

Accuracy – Dynamic performance data

		min.	typ.	max.	Unit
$I_{P,max}$	Max. measuring range	± 172			
X	Accuracy @ $I_{PN}, T_A=25^\circ C$			1	%
ϵ_L	Linearity			0.1	%
$V_{out} -2,5V$	Offset voltage @ $I_P=0, T_A=25^\circ C$			$\pm 2,5$	mV
$\Delta V_{out} / 2,5V / \Delta T$	Temperature drift of V_{out} @ $I_P=0, T_A=-40...85^\circ C$		3	10	ppm/K
t_r	Response time @ 80% von I_{PN}		1		μs
$\Delta t (I_{P,max})$	Delay time at $di/dt = 100 A/\mu s$		1		μs
f	Frequency bandwidth	DC...100			kHz

General data

		min.	typ.	max.	Unit
T_A	Ambient operating temperature	-40		+85	$^\circ C$
T_S	Ambient storage temperature	-40		+85	$^\circ C$
m	Mass		18		g
V_C	Supply voltage	4.75	5	5.25	V
I_{Co}	Current consumption		16		mA
	Constructed and manufactured and tested in accordance with EN 61800-5-1 (Primary to Secondary) Reinforced insulation, Insulation material group 1, Pollution degree 2				
S_{clear}	Clearance (component without solder pad)	12			mm
S_{creep}	Creepage (component without solder pad)	12			mm
V_{sys}	System voltage	overvoltage category 3	RMS	600	V
V_{work}	Working voltage	(tabel 7 acc. to EN61800-5-1) overvoltage category 2	RMS	1000	V
U_{PD}	Rated discharge voltage	peak value		1225	V

Maximal continuous and peak currents at defined temperatures

T_A	50 $^\circ C$	70 $^\circ C$	85 $^\circ C$	105 $^\circ C$
I_P	150 A	110 A	100 A	50 A
$I_{P,max}$	172 A	172 A	172 A	172 A

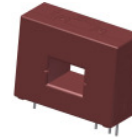
Date	Name	Issue	Amendment
05.11.12	Le	81	Insignificant: Date changed.
13.02.09	Le	81	Insignificant: Date changed.

Hrsg.: KB-E editor	Bearb.: Le designer			KB-PM IA: KRe. check	freig.: HS released
-----------------------	------------------------	--	--	-------------------------	------------------------

K-No.: 25256

50 A Current Sensor Module for 5V-Supply Voltage

For electronic current measurement:
DC, AC, pulsed, mixed ...,
with a galvanic isolation between
primary circuit (high power) and
secondary circuit (electronic circuit)



Date: 05.11.2012

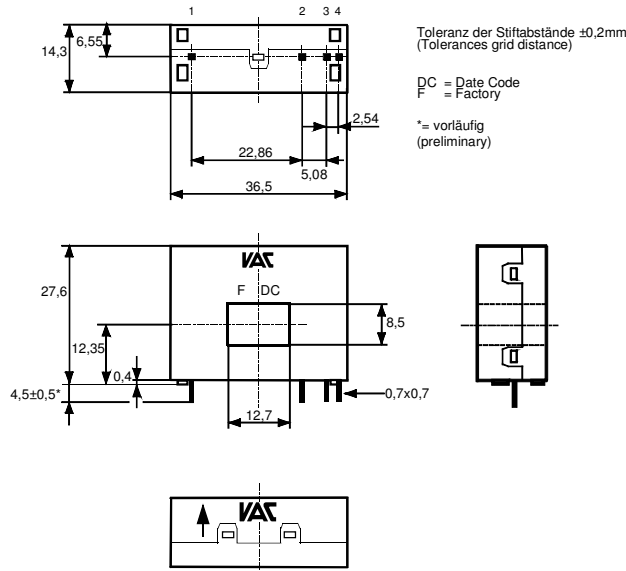
Customer: Standard type

Customers Part no.:

Page 2 of 2

Mechanical outline (mm):

General tolerances DIN ISO 2768-c



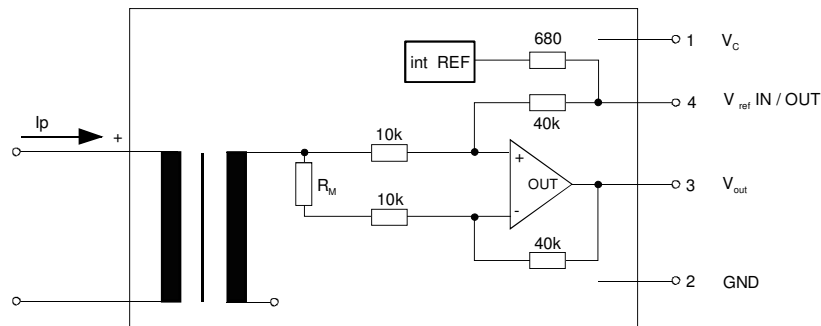
Connections:

1..4 = 0.7 x 0.7mm

Marking:

VAC
4646X160
F DC

Schematic diagram



Additional information is obtainable on request.
Temperature of the primary conductor should not exceed 110 °C.
This specification is no declaration of warranty acc. BGB §443 dar.

Hrsg.: KB-E
editor

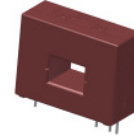
Bearb.: Le
designer

KB-PM IA: KRe.
check

freig.: HS
released

K-No.: 25256

50 A Current Sensor Module for 5V-Supply Voltage

 For the electronic measurement of currents:
 DC, AC, pulsed, mixed ...,
 with a galvanic isolation between
 the primary circuit (high power)
 and the secondary circuit (electronic circuit)


Date: 05.11.2012

Customer:

Customers Part No.:

Page 1 of 2

Electrical Data

		min.	typ.	max.	Unit
V_{Ctot}	Maximum supply voltage (without function)			6	V
I_C	Supply Current with primary current	16mA	$+I_p \cdot K_N + V_{out}/R_L$		mA
$I_{out,SC}$	Short circuit output current		± 20		mA
R_S	Secondary coil resistance @ $T_A=85^\circ\text{C}$			14	Ω
$R_{i,Ref}$	Internal resistance of Reference input		670		Ω
$R_{i,(V_{out})}$	Output resistance of V_{out}			1	Ω
R_L	External recommended resistance of V_{out}	1			k Ω
C_L	External recommended capacitance of V_{out}			500	pF
$\Delta X_{Ti}/\Delta T$	Temperature drift of X @ $T_A = -40 \dots +85^\circ\text{C}$			40	ppm/K
$\Delta V_0 = \Delta(V_{out} - V_{Ref})$	Sum of any offset drift including:		2	6	mV
V_{0t}	Long term drift of V_0		1		mV
V_{0T}	Temperature drift von V_0 @ $T_A = -40 \dots +85^\circ\text{C}$		1		mV
V_{0H}	Hystereses of V_{out} @ $I_p=0$ (after an overload of $10 \times I_{PN}$)			1.5	mV
$\Delta V_0/\Delta V_C$	Supply voltage rejection ratio			1	mV/V
V_{oss}	Offsetripple (with 1 MHz- filter first order)			25	mV
V_{oss}	Offsetripple (with 100 kHz- filter first order)		2.5	6	mV
V_{oss}	Offsetripple (with 20 kHz- filter first order)		0.7	1.5	mV
C_k	Maximum possible coupling capacity (primary – secondary)		6		pF
	Mechanical stress according to M3209/3				
	Settings: 10 – 2000 Hz, 1 min/Decade, 2 hours				

Inspection (Measurement after temperature balance of the samples at room temperature)

$V_{out}(I_p=I_{PN})$ (V)	M3011/6:	Output voltage vs. internal reference ($I_p=50\text{A}$, 40-80Hz)	625 \pm 1%	mV
$V_{out}-V_{Ref}(I_p=0)$ (V)	M3226:	Offset voltage	± 0.0025	V
V_d (V)	M3014:	Test voltage, RMS, 1 s pin 1-4 to inner hole	1.8	kV
V_e (AQL 1/S4)		Partial discharge voltage acc.M3024 (RMS) with V_{vor} (RMS)	1300 1625	V V

Type Testing (Pin 1-4 to inner hole)

Designed according standard EN 50178 with insulation material group 1

V_w	HV transient test according to M3064 (1,2 μs / 50 μs -wave form)		8	kV
V_d	Testing voltage to M3014	(5 s)	3.6	kV
V_e	Partial discharge voltage acc.M3024 (RMS) with V_{vor} (RMS)		1300 1625	V V

Applicable documents

 Current direction: A positive output current appears at point I_s , by primary current in direction of the arrow.
 Housing and bobbin material UL-listed: Flammability class 94V-0.
 Enclosures according to IEC529: IP50.

Datum	Name	Index	Änderung
05.11.12	Le	81	Typo: Type testing V_d , Testing voltage changed from M3924 into M3014. Lapidary change.
13.02.09	Le	81	Write error. Offsetripple to high, values reduced. Insignificant.

Hrsg.: KB-E editor	Bearb.: Le designer			KB-PM IA: KRe. check	freig.: HS released
-----------------------	------------------------	--	--	-------------------------	------------------------