

K-no.: 25156
15 A Current Sensor for 5V- Supply Voltage

 For electronic current measurement:
 DC, AC, pulsed, mixed ..., with a galvanic
 isolation between primary circuit
 (high power) and secondary circuit
 (electronic circuit)

Date: 22.02.2013
Customer: Standard type
Customers Part no.:
Page 1 of 2
Description

- Closed loop (compensation)
- Current Sensor with magnetic field probe
- Printed circuit board mounting
- Casing and materials UL-listed

Characteristics

- Excellent accuracy
- Very low offset current
- Very low temperature dependency and offset current drift
- Very low hysteresis of offset current
- Short response time
- Wide frequency bandwidth
- Compact design
- Reduced offset ripple

Applications

Mainly used for stationary operation in industrial applications:

- AC variable speed drives and servo motor drives
- Static converters for DC motor drives
- Battery supplied applications
- Switched Mode Power Supplies (SMPS)
- Power Supplies for welding applications
- Uninterruptible Power Supplies (UPS)

Electrical data – Ratings

I_{PN}	Primary nominal r.m.s. current	15	A
V_{out}	Output voltage @ I_P	$V_{Ref} \pm (0.625 \cdot I_P / I_{PN})$	V
\bar{V}_{out}	Output voltage @ $I_P=0, T_A=25^\circ C$	$V_{Ref} \pm 8$	mV
V_{Ref}	External Reference voltage range	0...4	V
	Internal Reference voltage	2.5 \pm 0.005	V
K_N	Turns ratio	1...3 : 2000	

Accuracy – Dynamic performance data

		min.	typ.	max.	Unit
$I_{P,max}$	Max. measuring range	± 51			
X	Accuracy @ $I_{PN}, T_A=25^\circ C$			0.7	%
ϵ_L	Linearity			0.1	%
$V_{out} - V_{Ref}$	Offset voltage @ $I_P=0, T_A=25^\circ C$			± 2.21	mV
$\Delta V_o / V_{Ref} / \Delta T$	Temperature drift of V_{out} @ $I_P=0, V_{Ref}=2,5V, T_A=-40...85^\circ C$	2.3	20		ppm/ $^\circ C$
t_r	Response time @ 90% von I_{PN}		300		ns
$\Delta t (I_{P,max})$	Delay time at $di/dt = 100 A/\mu s$		200		ns
f	Frequency bandwidth	DC...200			kHz

General data

		min.	typ.	max.	Unit
T_A	Ambient operating temperature	-40		+85	$^\circ C$
T_S	Ambient storage temperature	-40		+85	$^\circ C$
m	Mass		12		g
V_C	Supply voltage	4.75	5	5.25	V
I_C	Current consumption		15		mA

 Constructed and manufactured and tested in accordance with EN 61800-5-1 (Pin 1 - 6 to Pin 7 - 10)
 Reinforced insulation, Insulation material group 3 b, Pollution degree 2

S_{clear}	Clearance (component without solder pad)	7.4			mm
S_{creep}	Creepage (component without solder pad)	8.0			mm
V_{sys}	System voltage			300	V
V_{work}	Working voltage (table 7 acc. to EN61800-5-1)				
	overvoltage category 3		RMS		
	overvoltage category 2		RMS	350	V
U_{PD}	Rated discharge voltage		peak value	1037	V

Date	Name	Issue	Amendment
22.02.13	Le	82	Values for clearance and creepage changed from 7 \rightarrow 7.4 and 7 \rightarrow 8.0. Temperatur drift from 6 to 2.3. Offset-voltage $\pm 8 \rightarrow \pm 2.21$. Frequency bandwidth from 100 to 200 kHz. Marking with issue(increased). CN-572

Hrsg.: KB-E editor	Bearb.: Le. designer	KB-PM: KRe. check	freig.: HS released
-----------------------	-------------------------	----------------------	------------------------

K-no.: 25156

15 A Current Sensor for 5V- Supply Voltage

For electronic current measurement:
DC, AC, pulsed, mixed ..., with a galvanic
isolation between primary circuit
(high power) and secondary circuit
(electronic circuit)

Date: 22.02.2013

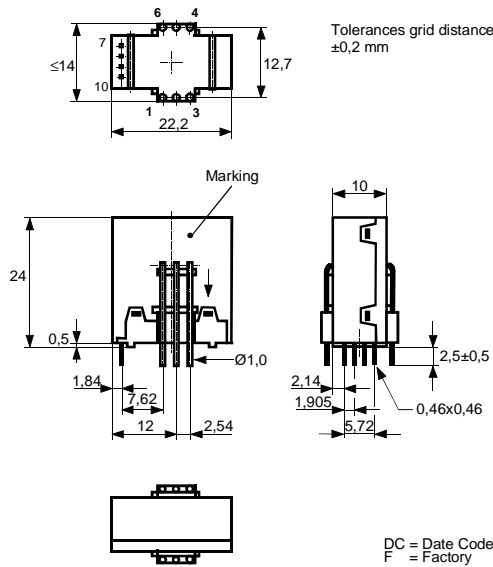
Customer: Standard type

Customers Part no.:

Page 2 of 2

Mechanical outline (mm):

General tolerances DIN ISO 2768-c



Connections:

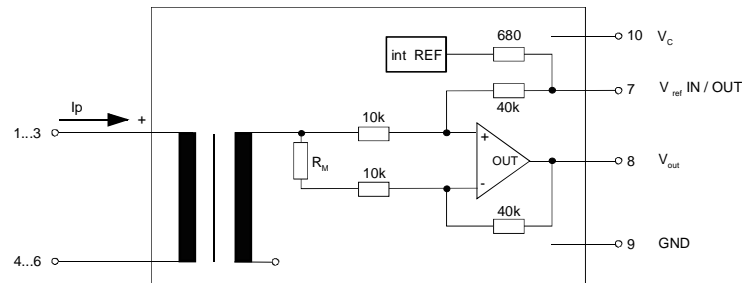
1...6: Ø 1 mm
7..10: 0,46x0,46 mm

Marking:

VAC
4646X682-82
F DC

DC = Date Code
F = Factory

Schematic diagram



Possibilities of wiring (@ TA = 85°C)

primary windings	primary current RMS	primary current maximal	output voltage RMS	turns ratio	primary resistance	wiring
N _P	I _P [A]	I _{P,max} [A]	V _{out} (I _{PN}) [V]	K _N	R _P [mΩ]	
1	15	±51	2.5±0.625	1:2000	0.33	
2	7.5	±25	2.5±0.625	2:2000	1.5	
3	5	±17	2.5±0.625	3:2000	3	

Temperature of the primary conductor should not exceed 110°C.
Additional information is obtainable on request.
This specification is no declaration of warranty acc. BGB §443 dar.

Hrsg.: KB-E
editor

Bearb: Le.
designer

KB-PM: KRe.
check

freig.: HS
released

K-No.: 25156

15 A Current Sensor for 5V-Supply Voltage

 For the electronic measurement of currents:
 DC, AC, pulsed, mixed ..., with a galvanic
 isolation between the primary circuit
 (high power) and the secondary circuit

Date: 22.02.2013

Customer:
Customers Part No.:
Page 1 **of** 2

Electrical Data

		min.	typ.	max.	Unit
V_{Ctot}	Maximum supply voltage (without function)			6	V
I_C	Supply Current with primary current	15mA + $I_p \cdot K_N + V_{out}/R_L$			mA
$I_{out,SC}$	Short circuit output current	±20			mA
R_P	Resistance / primary winding @ $T_A=25^\circ C$	1			mΩ
R_S	Secondary coil resistance @ $T_A=85^\circ C$	67			Ω
$R_{i,Ref}$	Internal resistance of Reference input	670			Ω
$R_{is}(V_{out})$	Output resistance of V_{out}	1			Ω
R_L	External recommended resistance of V_{out}	1			kΩ
C_L	External recommended capacitance of V_{out}	500			pF
$\Delta X_{Ti} / \Delta T$	Temperature drift of X @ $T_A = -40 \dots +85^\circ C$	40			ppm/K
$\Delta V_0 = \Delta(V_{out} - V_{Ref})$	Sum of any offset drift including:	3.5			mV
V_{0t}	Longtermdrift of V_0	2			mV
V_{0T}	Temperature drift von V_0 @ $T_A = -40 \dots +85^\circ C$	2			mV
V_{0H}	Hysteresis of V_{out} @ $I_p=0$ (after an overload of $10 \times I_{PN}$)	3			mV
$\Delta V_0 / \Delta V_C$	Supply voltage rejection ratio	1			mV/V
V_{oss}	Offsetripple (with 1 MHz- filter first order)	30			mV
V_{oss}	Offsetripple (with 100 kHz- filter first order)	4			mV
V_{oss}	Offsetripple (with 20 kHz- filter first order)	1.2			mV
C_k	Maximum possible coupling capacity (primary – secondary)	5			pF
	Mechanical stress according to M3209/3 Settings: 10 – 2000 Hz, 1 min/Oktave, 2 hours	30g			

Inspection (Measurement after temperature balance of the samples at room temperature)

$V_{out}(I_p=I_{PN})$ (V)	M3011/6:	Output voltage vs. external reference ($I_p=15A, 40-80Hz$)	625±0.7%	mV
$V_{out}-V_{Ref}(I_p=0)$ (V)	M3226:	Offset voltage	± 2.21	mV
V_d (V)	M3014:	Test voltage, rms, 1 s pin 1 – 6 vs. pin 7 – 10	1.5	kV
V_e (AQL 1/S4)		Partial discharge voltage acc.M3024 (RMS) with V_{vor} (RMS)	1100 1375	V V

Type Testing (Pin 1 - 6 to Pin 7 - 10)

V_W	HV transient test according to M3064 (1,2 μs / 50 μs-wave form)	6	kV
V_d	Testing voltage to M3014	(5 s)	3 kV
V_e	Partial discharge voltage acc.M3024 (RMS) with V_{vor} (RMS)	1100 1375	V V

Applicable documents

Current direction: A positive output current appears at point I_S , by primary current in direction of the arrow.
 Housing and bobbin material UL-listed: Flammability class 94V-0.
 Enclosures according to IEC529: IP50.

Datum	Name	Index	Amendment
22.02.13	Le	82	Date updated.
08.04.08	Le	81	"preliminary" and EN 60721 5K3 delete. AA-427

 Hrsg.: KB-E
 editor

 Bearb.: Le
 designer

 KB-PM: KRe.
 check

 freig.: HS
 released