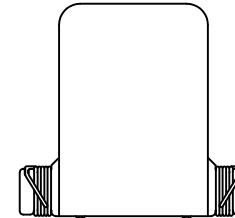
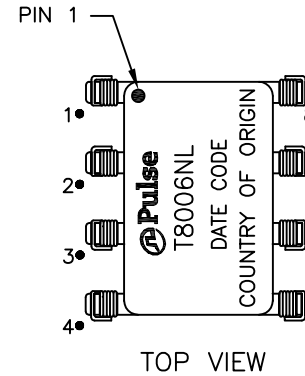


NOTES:

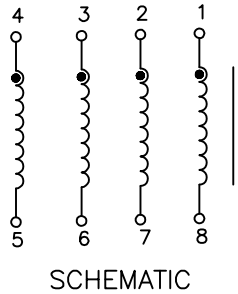
1. ROHS COMPLIANT
2. HEADER: THERMOSET PLASTIC MATERIAL WITH FLAMMABILITY RATING UL 94V-0 OR BETTER.
3. STORAGE TEMPERATURE: -20°C TO +125°C
4. COMPLIANCE TO J-STD:
  - A. J-STD-002: SOLDERABILITY AT 245°C REFLOW PROFILE
  - B. J-STD-020: LEVEL 1, NO MOISTURE SENSITIVE
  - C. J-STD-075: R7, 245°C MAXIMUM THROUGH REFLOW SOLDER
5. TO ORDER TAPE & REEL PACKAGING ADD A "T" SUFFIX TO THE PART NUMBER(i.e T8006NL BECOMES T8006NLT).



© Copyright, 2015. Pulse Electronics Corp. All rights reserved. Pulse confidential & proprietary. (12/23/15)

PRODUCT DESCRIPTION	TLA DRAWING	PS DRAWING	SHEET	PART NO.	DATASHEET REV.
INDUCTOR,CM,470UF,4W,SMT,SGL	T8006NL-10	-	1 OF 3	T8006NL	A

ELECTRICAL CHARACTERISTICS AT +25°C UNLESS OTHER SPECIFIED



PARAMETER	SPECIFICATIONS
OPERATING TEMPERATURE	0°C TO +70 °C
POLARITY	PER SCHEMATIC
TURNS RATIO @ 100 KHZ, 0.1 VRMS	$\frac{(1-8)}{(2-7)} = \frac{(2-7)}{(3-6)} = \frac{(3-6)}{(4-5)} = \frac{(4-5)}{(1-8)} = 1.0 \pm 5\%$
INDUCTANCE @ 100 KHZ, 20 mVRMS	$(1-8) = (2-7) = (3-6) = (4-5) = 470 \mu\text{H} +25\% \text{ MAX}$
LL @ 100 KHZ, 20 mVRMS	$(1-8)$ WITH $(2,3,4,5,6,7)$ SHORTED = 0.9 $\mu\text{H}$ MAX
CWW @ 100 KHZ, 0.1 VRMS	$(1-8)$ TO $(2-7) = (1-8)$ TO $(3-6) = (1-8)$ TO $(4-5) = 30 \text{ pF}$ MAX
COMMON MODE ATTENUATION	12 MHz
	20 dB
DCR	$(1-8) = (2-7) = (3-6) = (4-5) = 0.6 \text{ OHMS}$ MAX
HIPOT	500 VRMS FOR 1 MINUTE, 650 VRMS FOR 6 SECONDS

© Copyright, 2015. Pulse Electronics Corp. All rights reserved. Pulse confidential & proprietary. (12/23/15)

PRODUCT DESCRIPTION	TLA DRAWING	PS DRAWING	SHEET	PART NO.	DATASHEET REV.
INDUCTOR,CM,470UF,4W,SMT,SGL	T8006NL-10	-	2 OF 3	T8006NL	A