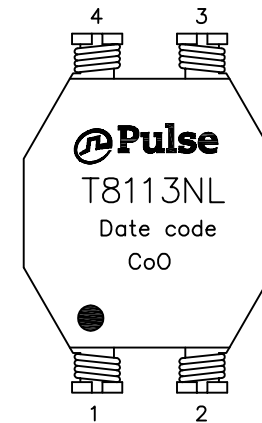
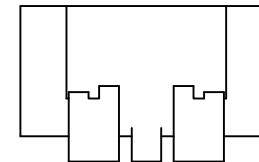
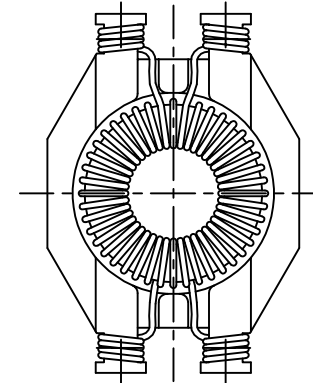


NOTES:

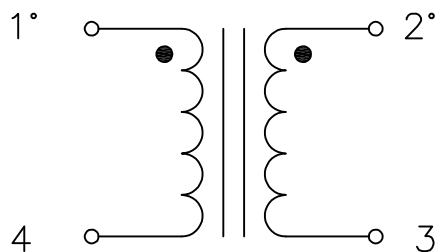
1. ROHS COMPLIANT
2. PLASTIC: THERMOPLASTIC MATERIAL WITH FLAMMABILITY RATING UL 94V-0 OR BETTER.
3. STORAGE TEMPERATURE: -20°C TO +125°C
4. COMPLIANCE TO J-STD:
 - A. J-STD-002: SOLDERABILITY AT 245°C REFLOW PROFILE
 - B. J-STD-020: LEVEL 1, NO MOISTURE SENSITIVE
 - C. J-STD-075: R7, 245°C MAXIMUM THROUGH REFLOW SOLDER
5. TO ORDER TAPE & REEL PACKAGING ADD A "T" SUFFIX TO THE PART NUMBER(i.e T8113NL BECOMES T8113NLT).



FINAL OUTLINE

© Copyright, 2015. Pulse Electronics Corp. All rights reserved. Pulse confidential & proprietary. (12/23/15)

PRODUCT DESCRIPTION	TLA DRAWING	PS DRAWING	SHEET	PART NO.	DATASHEET REV.
CMI 2 x 2.2 mH – SHASTA	T8113NL-11	-	1 OF 3	T8113NL	A



SCHMATIC

ELECTRICAL CHARACTERISTICS MEASURED AT 25°C :
(FOR REFERENCE ONLY. USED FOR CUSTOMER INFORMATION.)

PARAMETER	SPECIFICATION				
OPERATING TEMPERATURE	0°C TO +70 °C				
URNS RATIO @10KHz, 0.1VRMS	$\frac{(1^*-4)}{(2^*-3)} = 1.0 \pm 2\%$				
OPEN CIRCUIT INDUCTANCE (OCL) @100KHz, 0.1VRMS	$(1^*-4) = 2.2\text{mH} \begin{smallmatrix} +50\% \\ -30\% \end{smallmatrix}$				
LEAKAGE INDUCTANCE (LL): @100 KHz, 0.1 VRMS	(1^*-4) WITH (2^*-3) SHORTED = 0.25 uH NOMINAL = 0.60 uH MAXIMUM				
DCR	$(1^*-4) = (2^*-3) = 0.4 \text{ OHM MAXIMUM.}$				
HIPOT	500 VAC FOR 1 MINUTE OR 650 VAC FOR 2 SECONDS				
COMMON MODE IMPEDANCE	0.1 MHz	1 MHz	4 MHz	10 MHz	100 MHz
	1800 OHMS	6300 OHMS	10200 OHMS	6800 OHMS	700 OHMS

© Copyright, 2015. Pulse Electronics Corp. All rights reserved. Pulse confidential & proprietary. (12/23/15)

PRODUCT DESCRIPTION	TLA DRAWING	PS DRAWING	SHEET	PART NO.	DATASHEET REV.
CMI 2 x 2.2 mH – SHASTA	T8113NL-11	–	2 OF 3	T8113NL	A