



Tango 22A

Combo 2G/3G/4G WiFi & GPS Screw Mount Puck Antenna



Key Features

- 2G, 3G, 4G GPS & WiFi combined
- Low profile design
- Through hole mount
- Galileo - GPS - GLONASS Coverage

General Description

The Tango 22A combines 3 separate antennas into one compact and low profile package, capable of 2G, 3G, 4G WiFi & Global Positioning. Designed for users who want an 'all-in-one' solution rather than having to install three separate antennas.

The cellular antenna is quad band, so frequencies from 698 to 960Mhz and 1710 to 2700MHz are covered, allowing this antenna to be used worldwide for all cellular operators on 2G and 3G networks. 4G Networks are also covered for most regions.

The Tango 22A is commonly used with applications such as automotive tracking, vending machines, energy metering and many more.

The low profile design and screw mount base makes the Tango 22A suited to environments where it needs to be less noticeable.

Additional Considerations

- Combination design saves on cost and installation of additional antennas
- Ideal for more covert installation
- Meets all EU compliance criteria for electronic goods
- Best for 4G at 800MHz (Band 20)

T Through	2G GSM	3G UMTS	4G LTE
WLAN 2400	GPS Position	GNSS Position	ISM 2450
BLE Bluetooth	ZB Zigbee		



Tango 22A

Combo 2G/3G/4G WiFi & GPS Screw Mount Puck Antenna

Electrical Specifications

Cellular Antenna

Frequency Range:	698 - 960MHz/1710-2700 MHz
VSWR:	≤3.0
Peak Gain:	2dBi
Polarization:	Linear
Impedance:	50 Ohm

GPS Dielectric Antenna

Center Frequency:	1561 - 1602 MHz
VSWR:	<1.5
Gain:	5dBic
Polarization:	RHCP
Impedance:	50 Ohm

Active GPS Antenna

Gain:	28dB
Noise figure:	<1.5
Filter out band attenuation:	12dB min f0+50MHz ± 1dB 16dB min f0-50MHz ± 1dB
Supply voltage:	2.2 ~ 5V DC
DC current:	5 ~ 15mA
VSWR:	<2.0

Mechanical Specifications

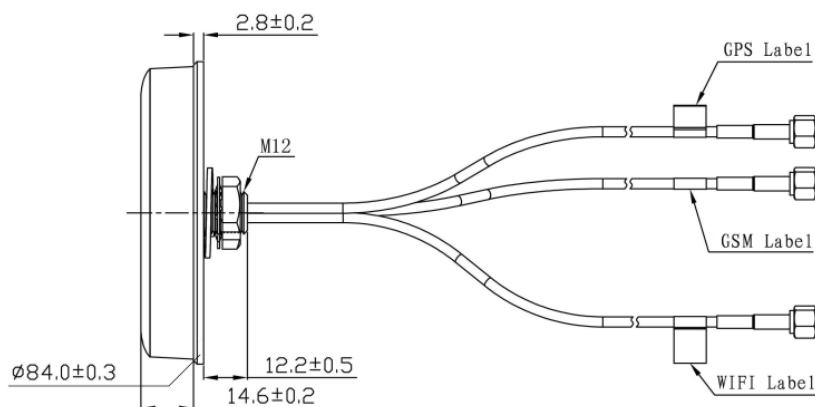
Dimensions:	L84 Ø x H16mm
Cable:	RG174
Connector:	3x SMA Male
Mounting:	M12 Screw
Maximum Material Thickness:	6.5mm

Environmental Specifications

Operating temperature range:	-40 - +85°C
Relative Humidity:	-Up to 95%

WiFi Antenna Specifications

Frequency:	2400 ~ 2483.5MHz
VSWR:	≤2.0
Gain:	3dBi
Impedance:	50 Ohm
Polarization:	Linear

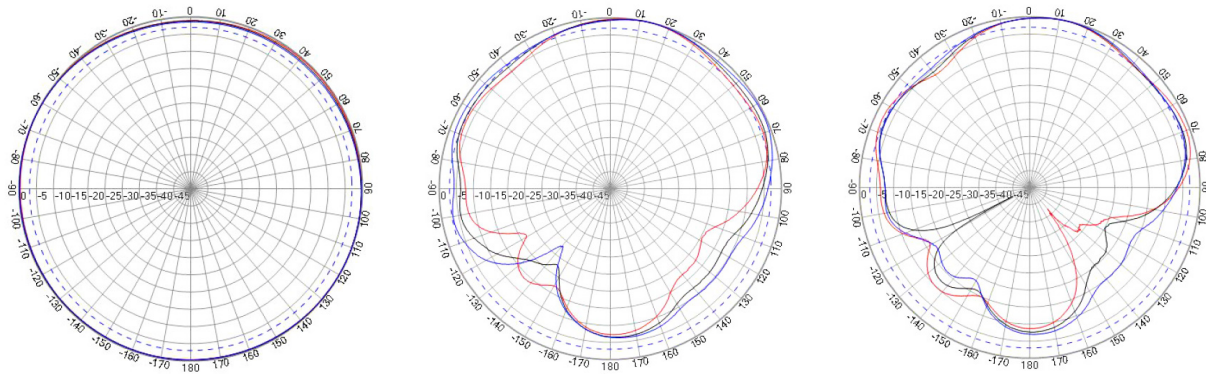




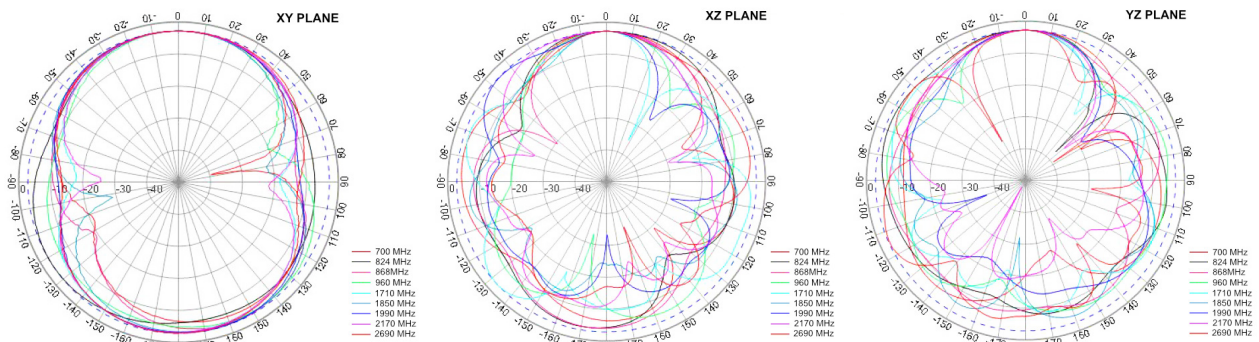
Tango 22A

Combo 2G/3G/4G WiFi & GPS Screw Mount Puck Antenna

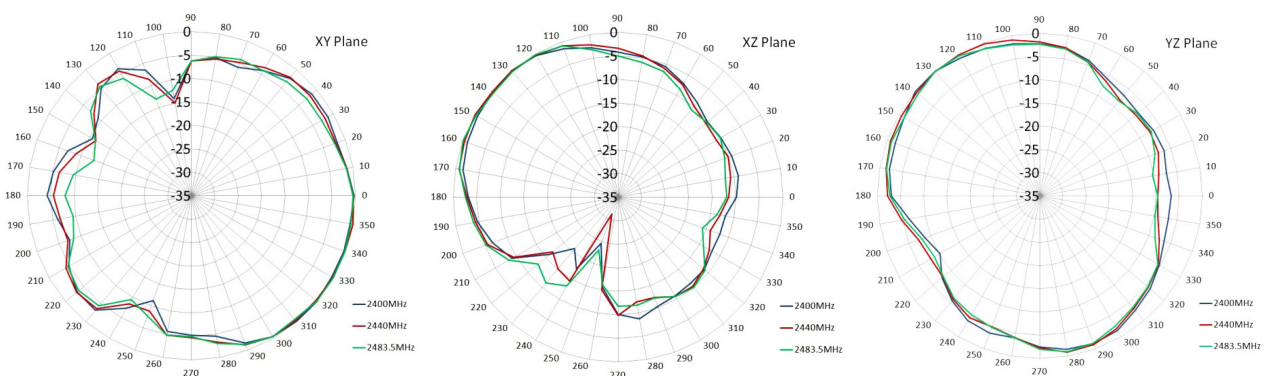
GPS Antenna



Cellular Antenna



WiFi Antenna



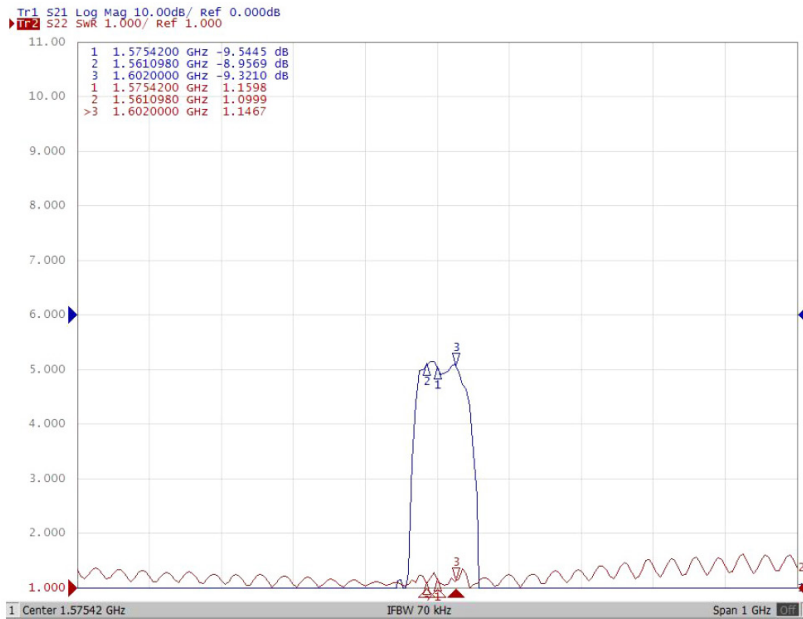


Tango 22A

Combo 2G/3G/4G WiFi & GPS Screw Mount Puck Antenna

GPS VSWR/RL

based on 3M SMA



Cellular VSWR

based on 3M SMA

