



Tango 38

868MHz ISM band panel mounting puck Antenna



Key Features

- 868MHz ISM band frequency
- 2dBi Peak Gain
- Adhesive base for dual mounting purposes

General Description

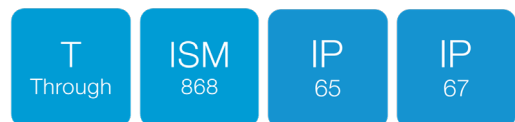
The Tango 38 is a compact puck shaped antenna tuned to the 868MHz ISM band, achieving a peak gain of 2dBi.

The Tango 38 is suitable for unlicensed band based applications that need a high performance antenna mounted securely and remotely from the modem.

Supplied as standard with an SMA Male connector on 1m of cable. Alternative connectors and cable lengths may be specified for volume orders.

Additional Considerations

- Suitable for exterior mounting
- Ideal for unlicensed band based applications





Tango 38

868MHz ISM band panel mounting puck Antenna

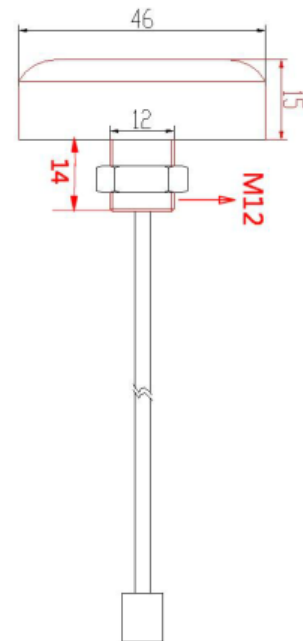
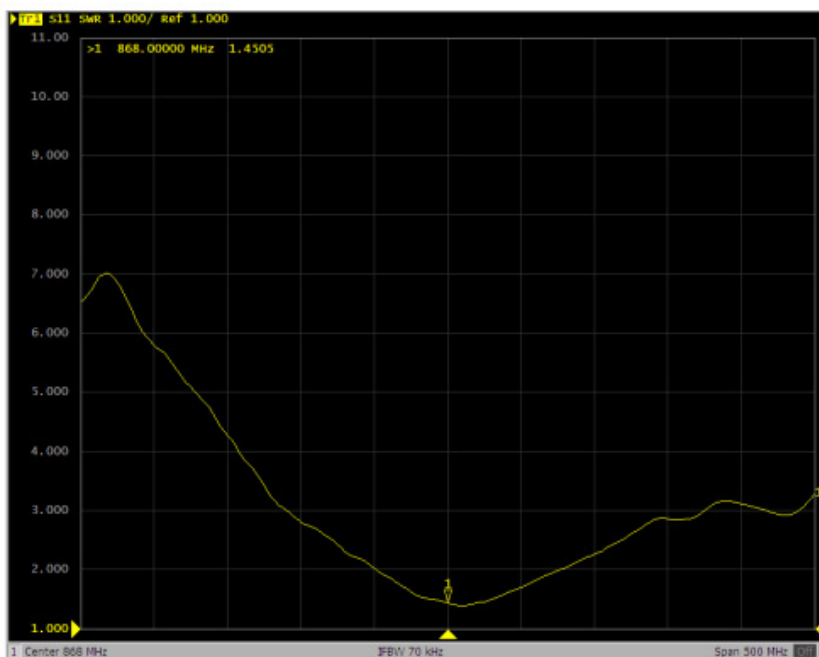
Electrical Specifications

Impedance:	50 Ohm
VSWR:	≤1.5:1
Peak Gain:	2dBi
Frequency Range:	868MHz
Bandwidth:	10MHz
Power Capacity:	50W
Polarization:	Vertical

Mechanical Specifications

Operating Temperature:	-30 - +75°C
Storage Temperature:	-30 - +75°C
Dimensions:	46 Ø x 15mm
Cable:	RG174
Connector:	SMA Male
Mounting Method:	12mm screw
Housing:	ABS

VSWR



Ordering Details

Part Number	Description
TANGO38/1M/SMAM/S/S/17	868MHz ISM band panel mounting puck Antenna 1m SMA Male
TANGO38/2.5M/SMAM/S/S/17	868MHz ISM band panel mounting puck Antenna 2.5m SMA Male