



## Tango 420

3G/4G Dual Port MIMO Antenna

### Key Features

- 2 port MIMO 3G/4G antenna
- 690 - 2700MHz



### General Description

The Tango 420 has two 4G antennas within the package and is suitable for multiple applications.

The Tango 420 has a wide climatic range, having a weather resistant design. Excellent for use in IoT systems with sensors and controls that require remote monitoring and reporting.

Supplied as standard with SMA male connectors and 2.5m of cable. Alternative cable lengths and connectors can be supplied for volume orders.

### Additional Considerations

- Ideal for systems requiring multiple inputs/outputs
- Low profile
- 2 antenna design saves on installation and product costs





## Tango 420

3G/4G Dual Port MIMO Antenna

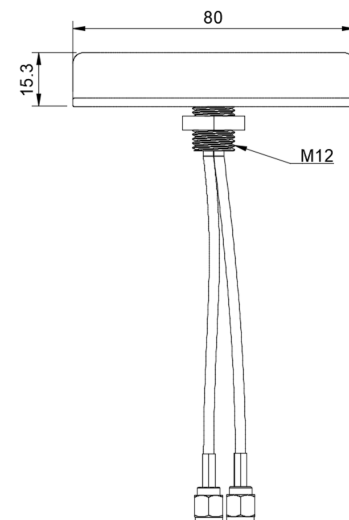
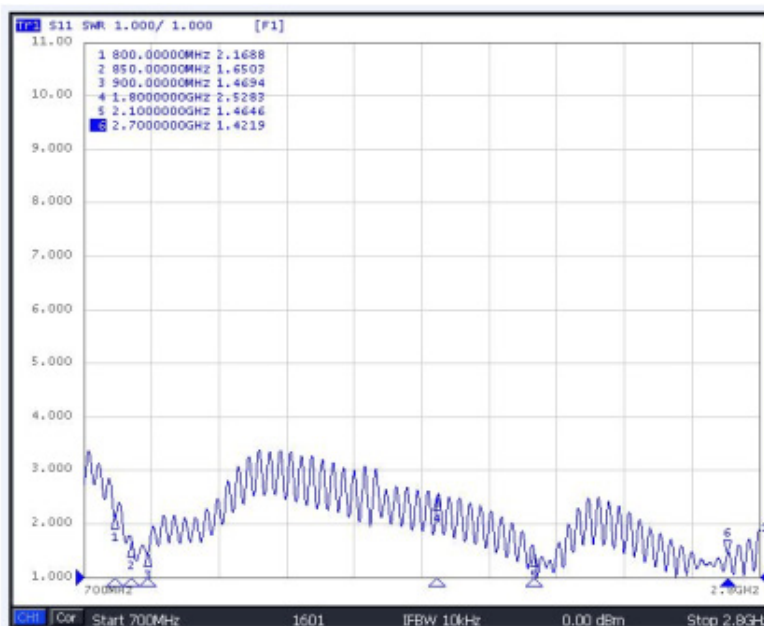
### Electrical Specifications

Impedance:	50 Ohm
VSWR:	≤2.6
Peak Gain:	2 - 3dBi
Frequency range:	Port 1 - 690 - 960/1710 - 2170 /2500 - 2700MHz Port 2 - 690 - 960/1710 - 2170 /2500 - 2700MHz
Max Input Power:	60W
Polarization:	Vertical / Horizontal

### Mechanical Specifications

Dimensions:	Ø 80 x 15.3mm
Operating Temperature:	-40 - +75°C
Storage Temperature:	-45 - +75°C
Cable:	2x RG174
Connector:	2x SMA Male
Mounting:	Ø 12mm screw
Maximum Material Thickness:	10mm

### VSWR



### Ordering Details

Part Number	Description
TANGO420/2.5M/SMAM/SMAM/S/S/17	3G/4G/MIMO, 2 port diversity panel mounting Antenna