

# TANK-600-D2550 ■ Fanless Embedded System

# TANK-600-N2600 ■ Intel® Celerarview Dual Core Atom™ CPU



## Features

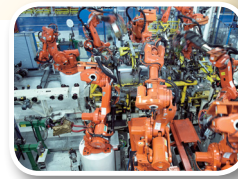
- ◆ Intel® Dual Core D2550 1.86 GHz processor
- ◆ Intel® Dual Core N2600 1.6 GHz processor
- ◆ 8 COM model: 6 x RS-232, 2 x RS-232/422/485
- ◆ 6 x USB 2.0
- ◆ Dual PCIe GbE LAN for high-speed network applications



## Specifications

Model Name		TANK-600-D2550	TANK-600-N2600
Chassis	Color	Black C + Silver	
	Dimensions (WxDxH) (mm)	193.4 x 200 x 57	
	System Fan	Fanless	
	Chassis Construction	Aluminum alloys	
Motherboard	Processor CPU	Intel® Atom™ D2550 1.86 GHz	Intel® Atom™ N2600 1.6 GHz
	Chipset	Intel® NM10	
	System Memory	On-board DDR3 4 GB	On-board DDR3 2 GB
Storage	Hard Drive	1 x 2.5" SATA 3Gb/s HDD/SSD bay	
	mSATA	1 x mSATA (SATA 3Gb/s signal)	
I/O Interfaces	USB 2.0	6	
	Ethernet	2 x RJ-45 PCIe GbE by Realtek 8111E	
	RS-232	6 COM: 6 x DB-9	
	RS-422/485	2 x RS-232/422/485 by DB-9	
	Display	1 x VGA	
	Resolution	VGA: Up to 2048 x 1536@75Hz	
	Audio	1 x Line-out, 1 x Mic-in	
	Expansions	PCIe Mini	1 x Full Size (Co-lay mSATA) 1 x Half size
Power	Power Input	DC Jack: 9 V~36 V DC	
	Power Consumption	12 V@2.2 A (Intel® Atom™ D2550 with 4 GB DDR3 memory)	2 V@2 A (Intel® Atom™ N2600 with 2 GB DDR3 memory)
Reliability	Mounting	VESA 100, DIN-Rail	
	Operating Temperature	-20°C ~70°C with air flow (SSD), 5% ~ 95%, non-condensing	
	Operating Shock	Half-sine wave shock 5G, 11ms, 3 shocks per axis	
	Operating Vibration	MIL-STD-810F 514.5C-2 (with SSD)	
	Weight (Net/Gross)	2.2 kg/3 kg	
	Safety/EMC	CE/FCC	
OS	Supported OS	Microsoft® Windows® Embedded Standard 7 E, Microsoft® Windows® XP Embedded	

## Fulfill a great variety of applications



## Wide range temperature



The TANK-600 supports -20°C~70°C wide range environment.  
The best choice for some ruggedize applications.

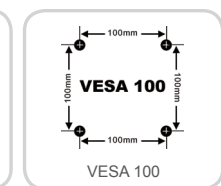
## RS-232



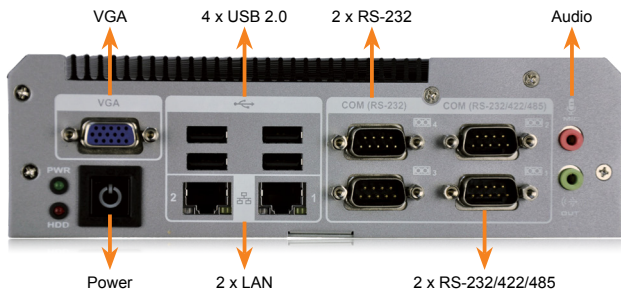
RS-232 is a standard serial port to connect between DTE (Data Terminal Equipment) and DCE (Data Communication Equipment). With the advantage of long distance transmission and simple transmission line, the TANK-600 can fulfill users' demand to connect a large number of devices through the RS-232 serial ports.

## Versatile mounting ways

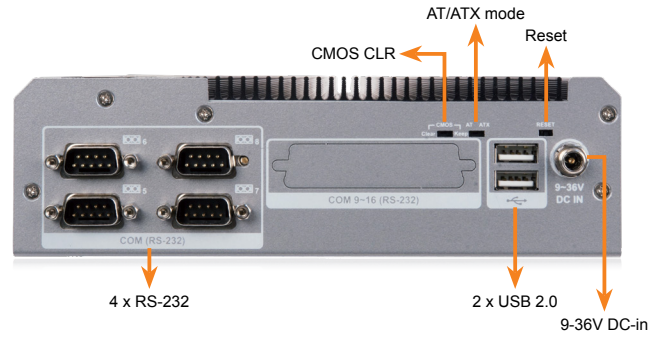
The TANK-600 series can fulfill VESA 100/DIN-rail/Wall mount, providing users different ways to meet their applications.



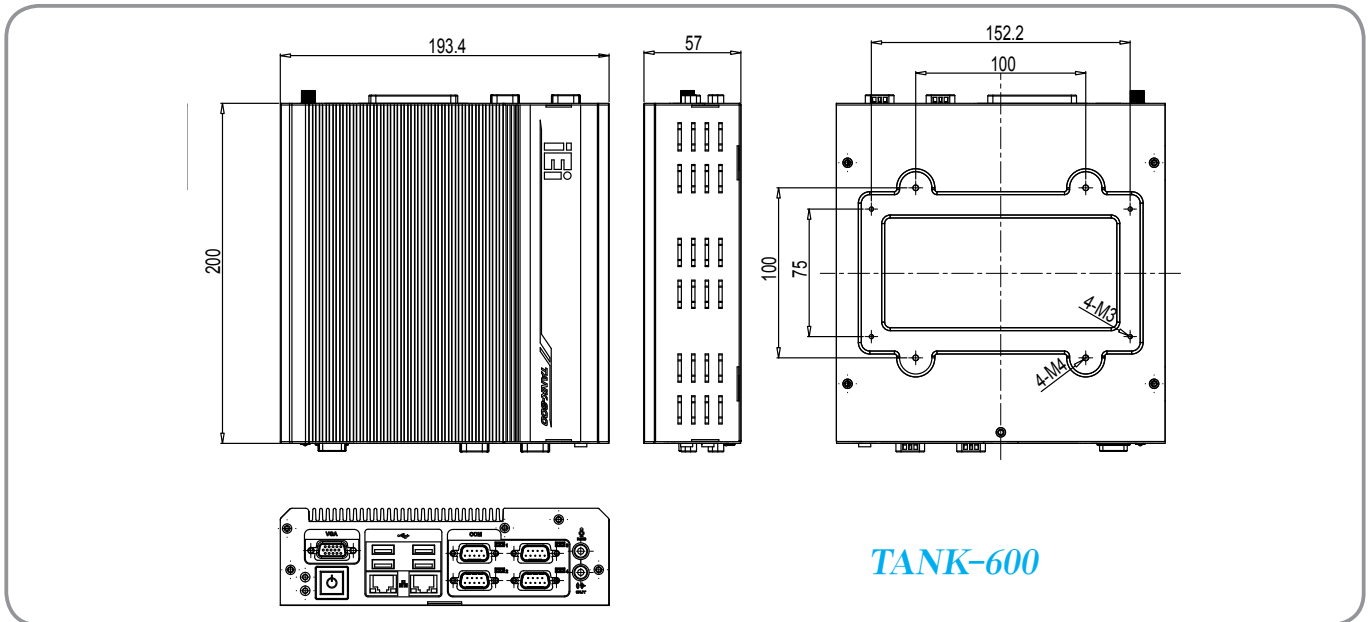
Front View



Rear View



Dimensions (Unit: mm)



Ordering information

Part No.	Description
TANK-600-CV-D2550-8C/4G-R11	Extend temperature Fanless embedded system with Intel® Cedarview D2550 1.86 GHz processor dual core CPU, with 4G DDR3 RAM on-board, 1 x VGA, Dual GbE LAN, 6 x USB 2.0, 2 x RS-232/422/485, 6 x RS-232, RoHS
TANK-600-CV-N2600-8C/2G-R11	Extend temperature Fanless embedded system with Intel® Cedarview N2600 1.6 GHz processor dual core CPU, with 2G DDR3 RAM on-board, 1 x VGA, Dual GbE LAN, 6 x USB2.0, 2 x RS-232/422/485, 6 x RS-232, RoHS

Options

Item	Part No.	Qty	Description
DIN-rail mounting kit	DK-84MB	1	DIN mount kit for embedded system, black, RoHS
VESA kit	AFLWK-19	1	VESA 100 mount kit

Packing list

Item	Part No.	Qty	Description
Utility CD		1	Drivers and user manual
One Key recovery CD	7B000-000938-RS	1	CD-ROM Disk, V1.3, RECOVERYV13.ISO, FOR ONE KEY RECOVERY, RoHS
Screw set		1	
Wall mount bracket	41019-1106L5-00-RS	1	WALL MOUNT BRACKET, HOLDER, NCT processing formation, TANK-600-CV, PAINTING, PMS 8401C, 41019-1106XX, NCT(N), SECC, VER:00, CCL, RoHS
Power adapter (Meet PSE & ErP)	63040-010065-200-RS	1	FSP065-REBN2, 90 V~264 V AC input, 65 W, 19 V DC output, ErP
Power cord	32702-000200-100-RS	1	POWER CORD, EUROPEAN CODE(VDE), 2, 1830MM, (A)PLUG(16 A 250 V)SH-005, (B)CONNECTOR(10 A 250 V)SH-006, Self-Man, CCL, RoHS