

# TANK-610-BW

Fanless Embedded System

## Features

- Intel® Celeron® N3160 processor
- Multiple COM ports: six RS-232 and two RS-232/422/485
- VGA and HDMI dual independent display
- mSATA and one 2.5" SATA storage device
- Wide range temperature



## Specifications

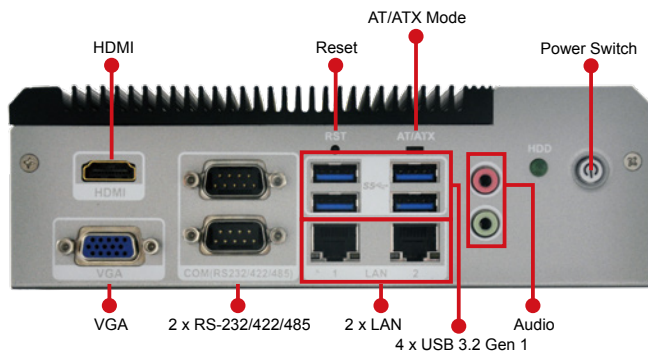
Model Name		TANK-610-BW
Chassis	Color	Black C + Silver
	Dimensions (WxDxH) (mm)	184 x 200.6 x 58.2
	System Fan	Fanless
	Chassis Construction	Extruded aluminum alloy
Motherboard	CPU	Intel® Celeron® N3160 processor (up to 2.24GHz, quad-core, 2MB cache, TDP=6W)
	Chipset	SoC
	System Memory	2 x 204-pin DDR3L SO-DIMM, one 2GB pre-installed (system max: 8 GB)
Storage	Hard Drive	1 x 2.5" SATA 6Gb/s HDD/SSD Bay
I/O Interfaces	USB 3.2 Gen 1 (5Gb/s)	4
	Ethernet	2 x RJ-45 PCIe GbE by Intel® I210-IT controller
	COM Port	6 x RS-232, 2 x RS-232/422/485
	Display	1 x VGA, 1 x HDMI
	Resolution	VGA: Up to 1920 x 1200@60HZ, HDMI: Up to 3840 x 2160@30Hz
	Audio	1 x Line-out, 1 x Mic-in
	Wireless	1 x 802.11a/b/g/n/ac (optional)
Expansions	PCIe Mini	1 x Full-size (PCIe/ SATA) 1 x Half-size (PCIe/ USB 2.0)
	Power	Power Input
Reliability	Power Consumption	12 V@1.49 A (Intel® Celeron® N3160 with 4 GB DDR3L memory)
	Mounting	Wall mount, VESA 100
	Operating Temperature	-40°C ~ 60°C with air flow (SSD), 10% ~ 95%, non-condensing
	Storage Temperature	-40°C ~ 80°C
	Operating Shock	Half-sine wave shock 5G, 11ms, 100 shocks per axis
	Operating Vibration	MIL-STD-810G 514.6C-1 (with SSD)
	Weight (Net/Gross)	2.2 kg/3 kg
Safety/EMC	CE/FCC	
OS	Supported OS	Microsoft® Windows 8 Embedded, Microsoft® Windows® Embedded Standard 7 E

## Various Applications

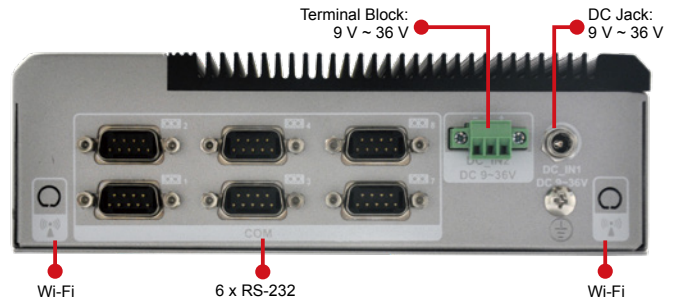


Fully Integrated I/O

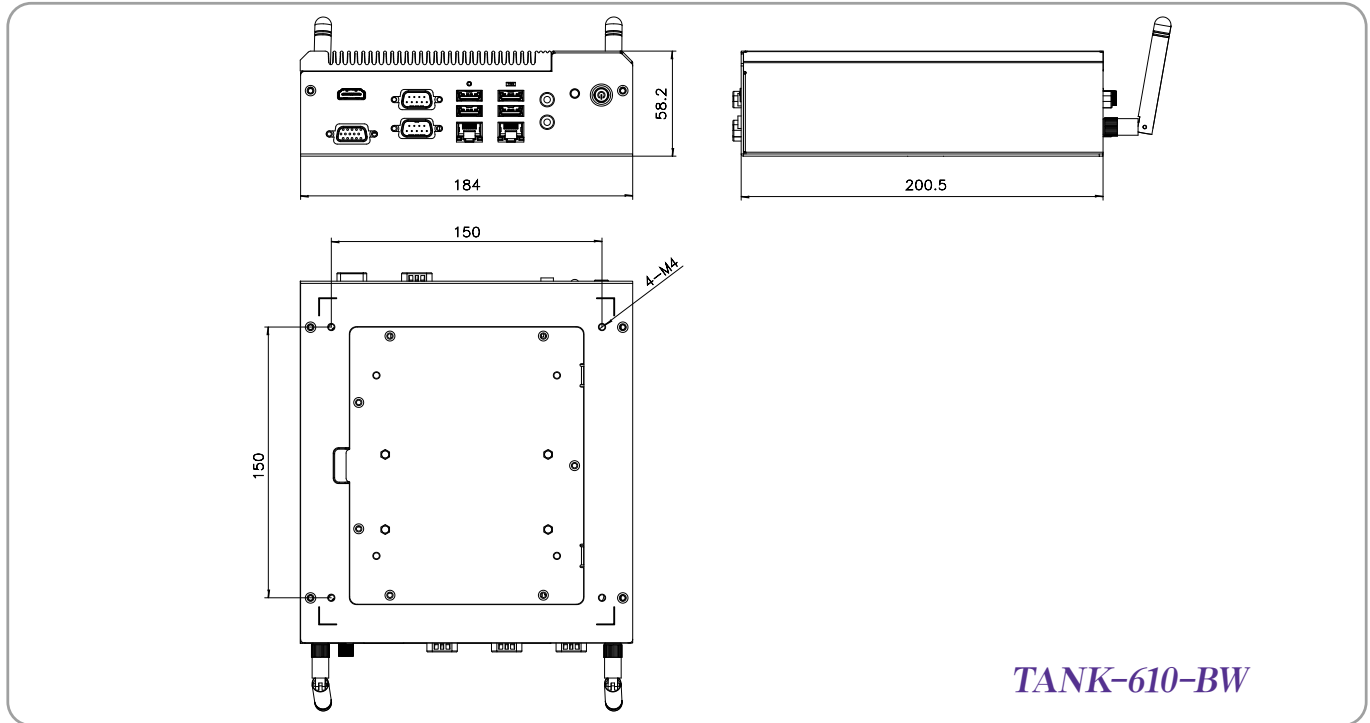
Front View



Rear View



Dimensions (Unit: mm)



TANK-610-BW

Ordering Information

Part No.	Description
TANK-610-BW-N3/2G-R10	Fanless wide temperature embedded system with Intel® Celeron® N3160 1.6GHz, (up to 2.24 GHz, quad-core, TDP 6W), 2GB DDR3L pre-installed memory, 9 V ~ 36 V DC, with RS-232/422/485, USB 3.2 Gen 1 (5Gb/s), VGA/HDMI, dual Intel® PCIe GbE, RoHS

Options

Part No.	Description
AFLWK-19	VESA 100 mount kit
EMB-WIFI-KIT11-R20	1T1R wifi module kit for embedded system, IEEE802.11a/b/g/n/ac WiFi with Bluetooth 4.0/3.0+HS, 1 x wifi module, 2 x 350mm RF cable, 2 x Antenna, RoHS
TANK-610-BW-WES7E64-R10	OS Image with Windows® Embedded Standard 7 E 64-bit for TANK-610 BW Series, with DVD-ROM, RoHS, R10
DK-100-R10	VESA 100 to DIN-Rail mounting kit

Packing List

Item	Qty	Description
Power cord	1	1500 mm, European Standard
Power adapter (Meet PSE & ErP)	1	FSP065-REBN2, 90 V ~ 264 V AC input, 65 W, 19 V DC output, ErP
Wall mount bracket	1	Wall mount bracket/holder
Screw set	1	