

PART NAME

TABLET ENCLOSURE

PART No.

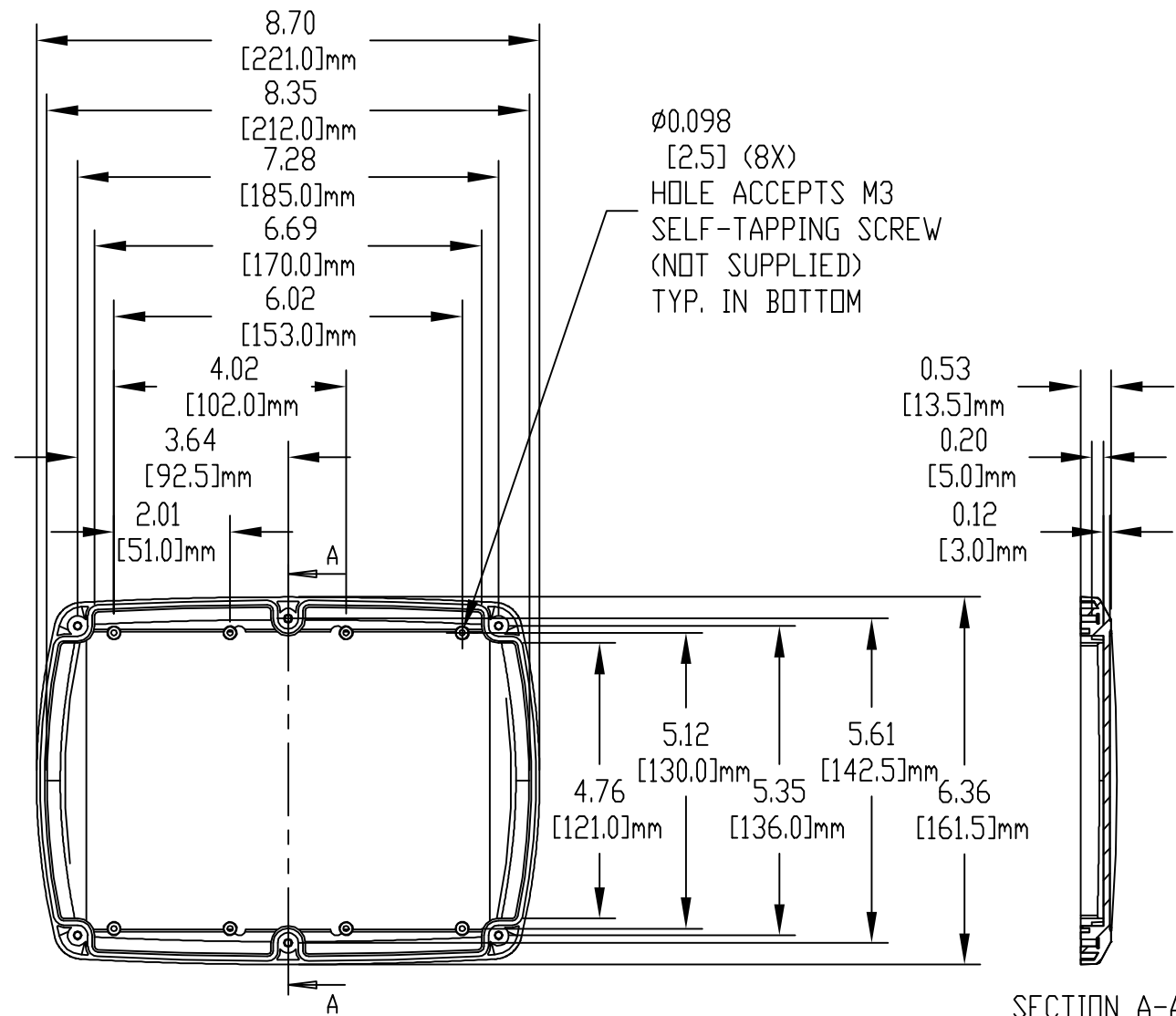
TB-32612-B & TB-32612-W

REV. DATE

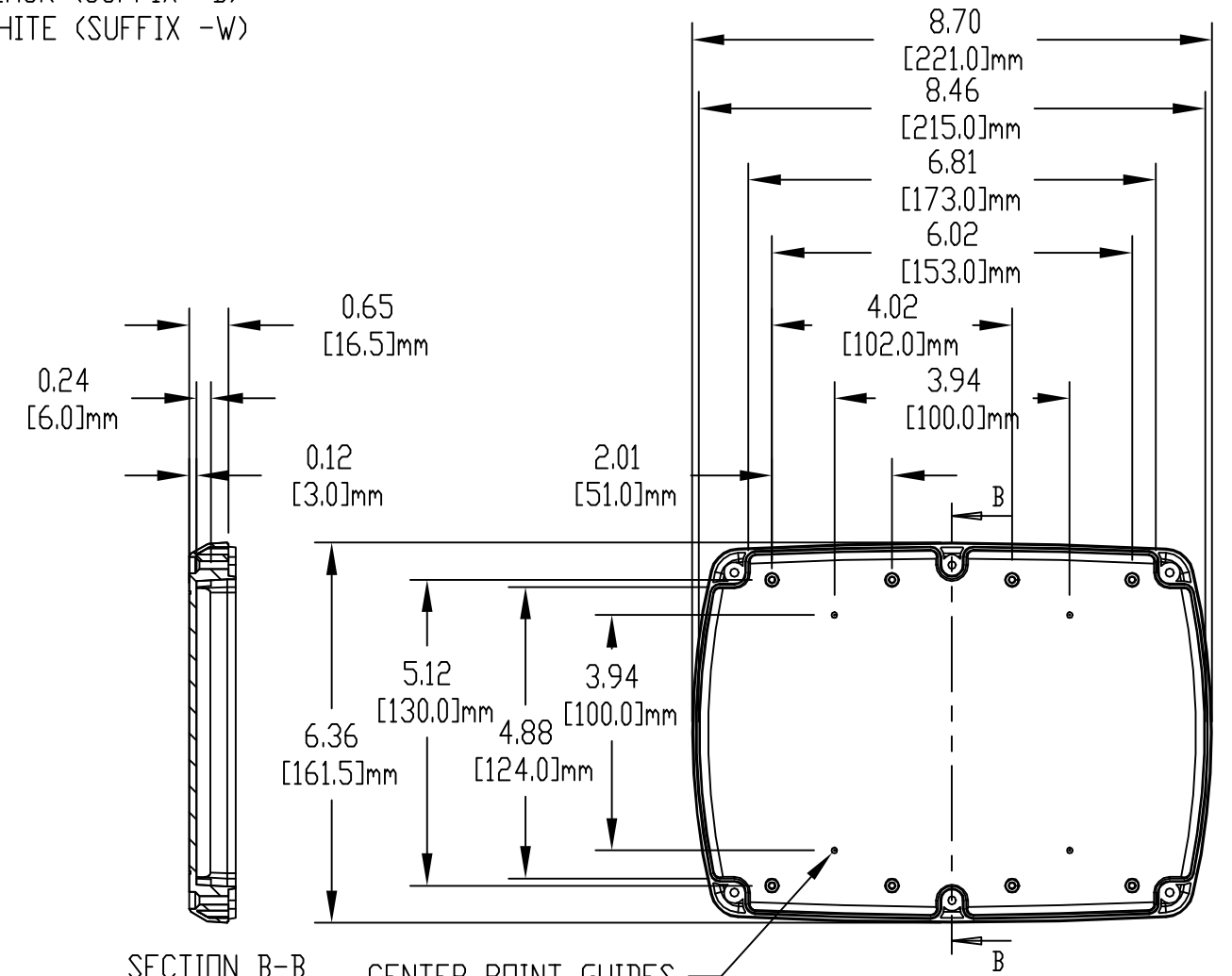
2-23-13

MATERIAL:
 ABS UL94-HB BLACK (SUFFIX -B)
 ABS UL94-V0 WHITE (SUFFIX -W)

Ø0.098
 [2.5] (8X)
 HOLE ACCEPTS M3
 SELF-TAPPING SCREW
 (NOT SUPPLIED)
 TYP. IN BOTTOM

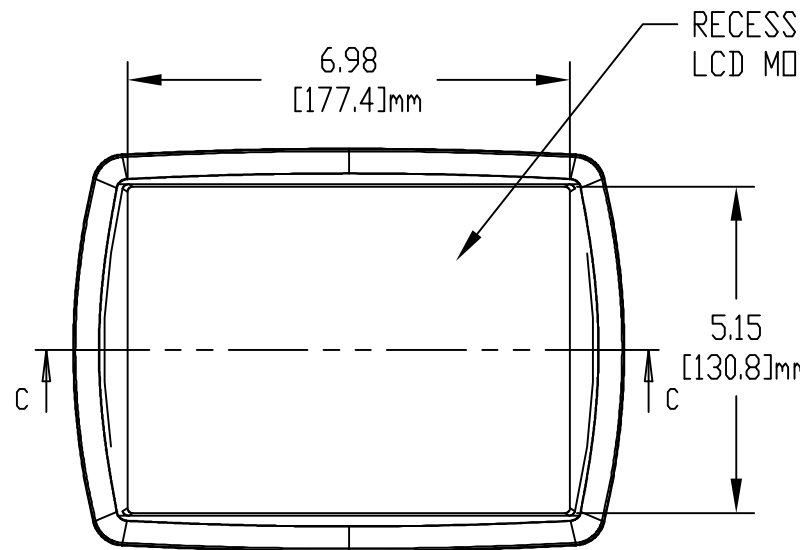


SECTION A-A

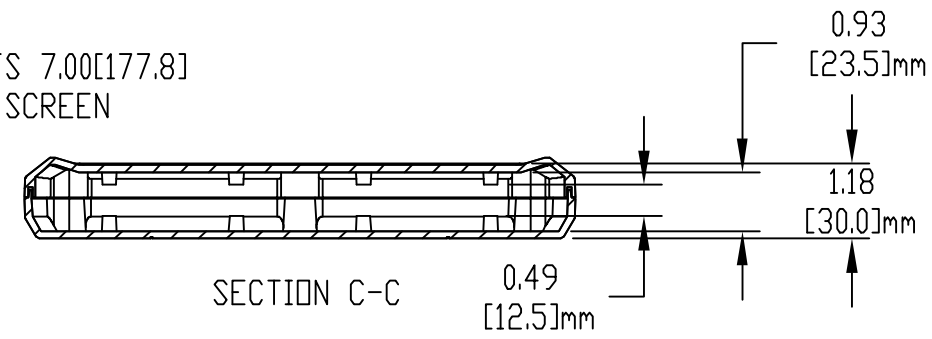


SECTION B-B

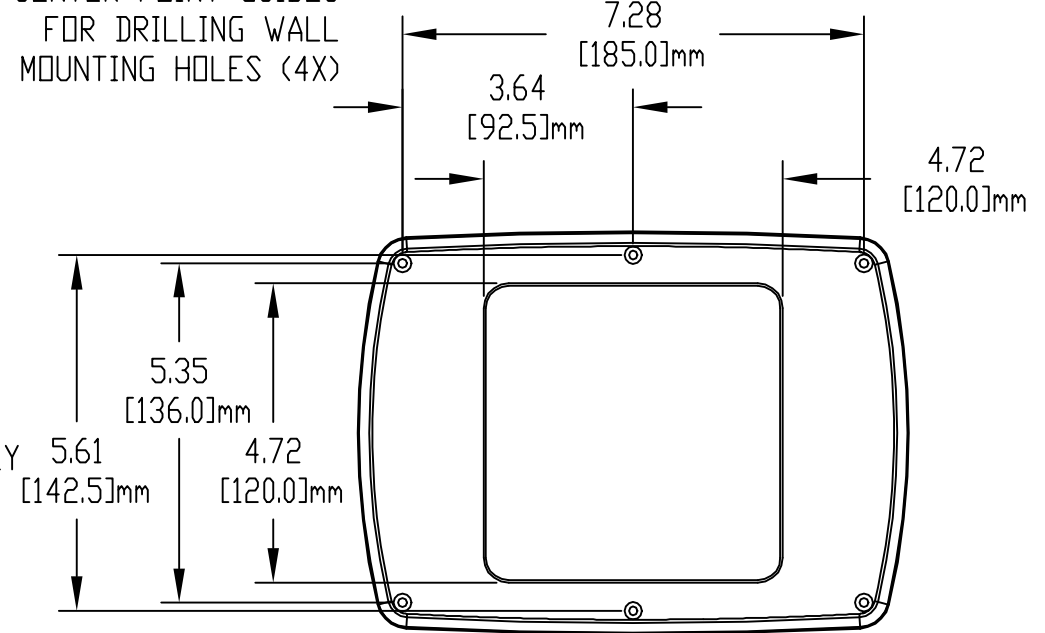
CENTER POINT GUIDES
 FOR DRILLING WALL
 MOUNTING HOLES (4X)



RECESSED AREA ACCEPTS 7.00[177.8]
 LCD MODULE OR TOUCH SCREEN



SECTION C-C



- NOTES:
- 1.) SIX (6) M3 x 0.63[16] LG. SELF-TAPPING SCREWS SUPPLIED FOR ASSEMBLY
 - 2.) FOUR (4) ADD-ON RUBBER FEET SUPPLIED
 - 3.) ALL HOLE DIAMETERS HAVE ±0.005[0.13] TOLERANCE
 ALL OTHER DIMENSIONS HAVE ±0.015[0.38] TOLERANCE
 - 4.) DIMENSIONS ARE INCH[MILLIMETER] - THIRD ANGLE PROJECTION
 - 5.) OPTIONAL SILICONE SPONGE GASKET #TB-32612-GSK AVAILABLE