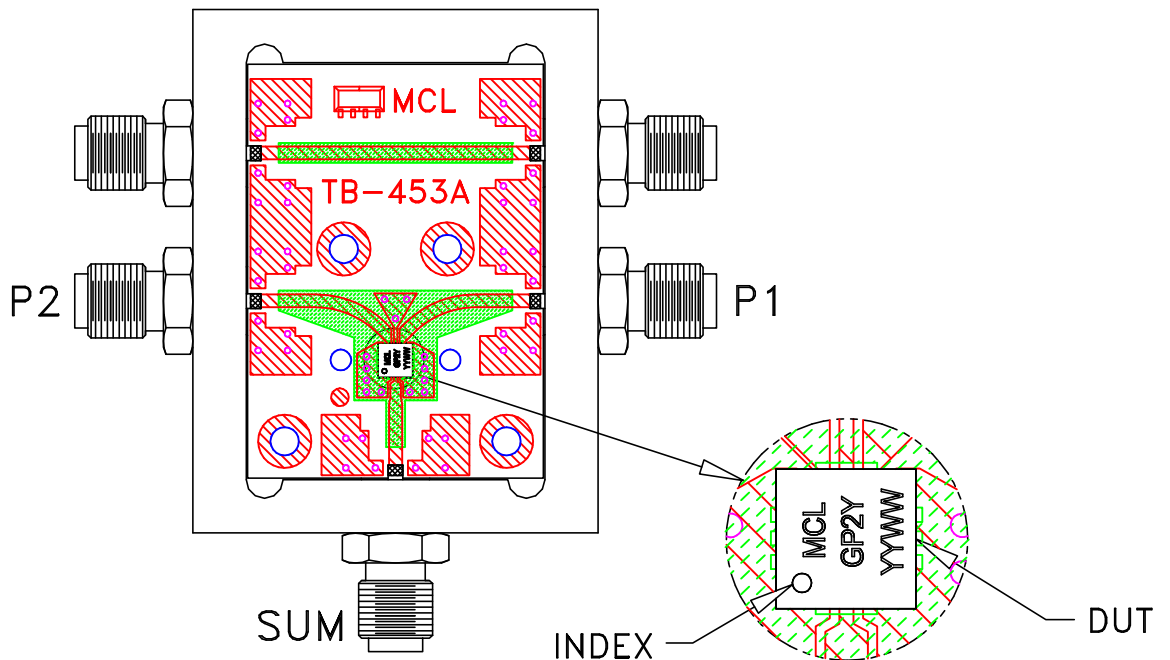
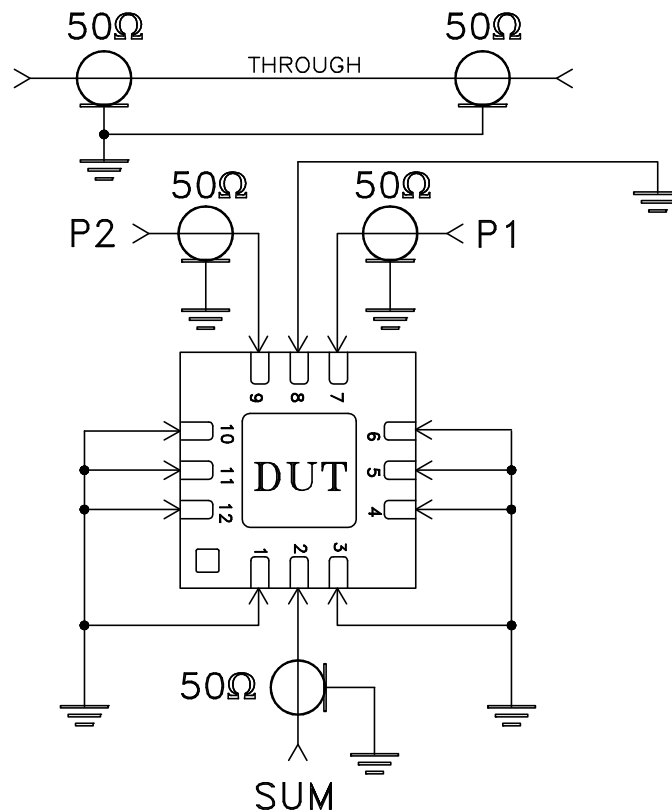


# Evaluation Board and Circuit




TB-453-GP2Y1+



## Notes:

1. SMA Female connectors.
2. PCB Material: Rogers R04350 or equivalent,  
Dielectric Constant=3.5, Thickness=.020 inch.

## Schematic Diagram

 **Mini-Circuits®**