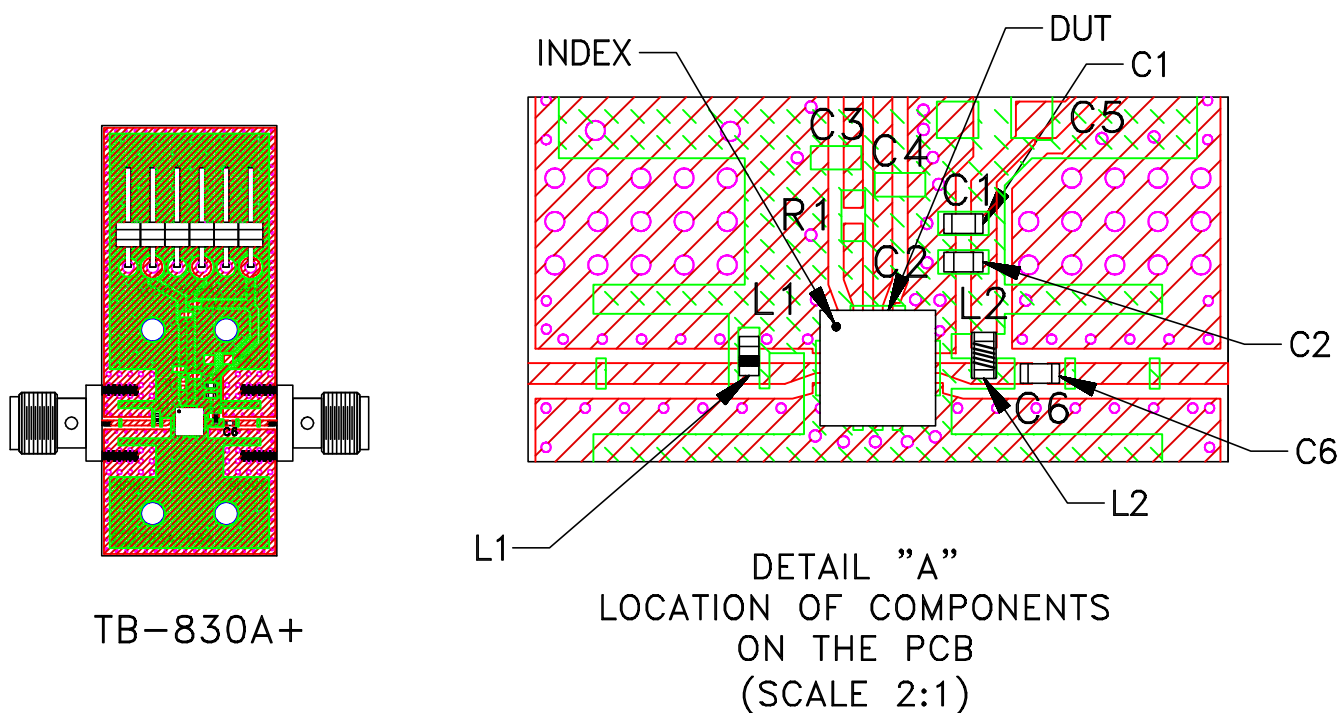
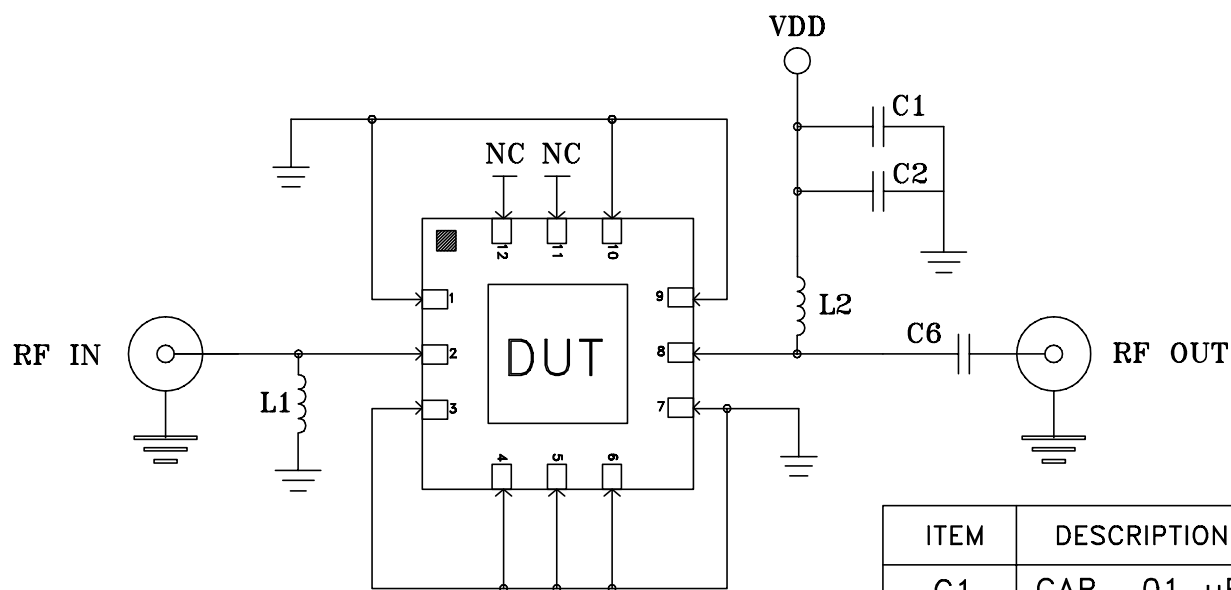


Evaluation Board and Circuit



TB-830A+

DETAIL "A"
LOCATION OF COMPONENTS
ON THE PCB
(SCALE 2:1)




Schematic Diagram

ITEM	DESCRIPTION	SIZE
C1	CAP, .01 uF	0402
C2	CAP, 10 pF	0402
C6	CAP, 100 pF	0402
L1	IND, 18 nH	0402
L2	IND, 39 nH	0402

Notes:

1. SMA Female Connectors.
2. PCB Material: Roger RO4350B or equivalent,
Dielectric constant=3.5, Thickness=.010 inch

 **Mini-Circuits®**