

PART NAME

TABLET ENCLOSURE

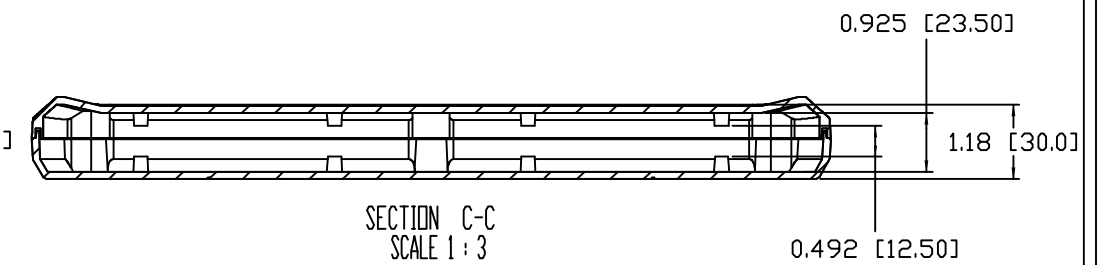
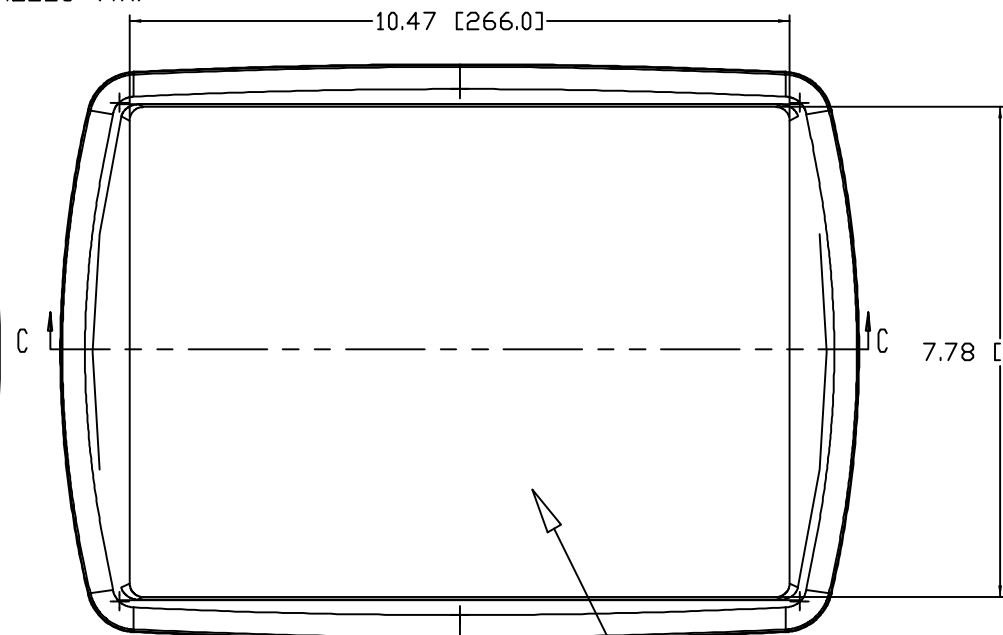
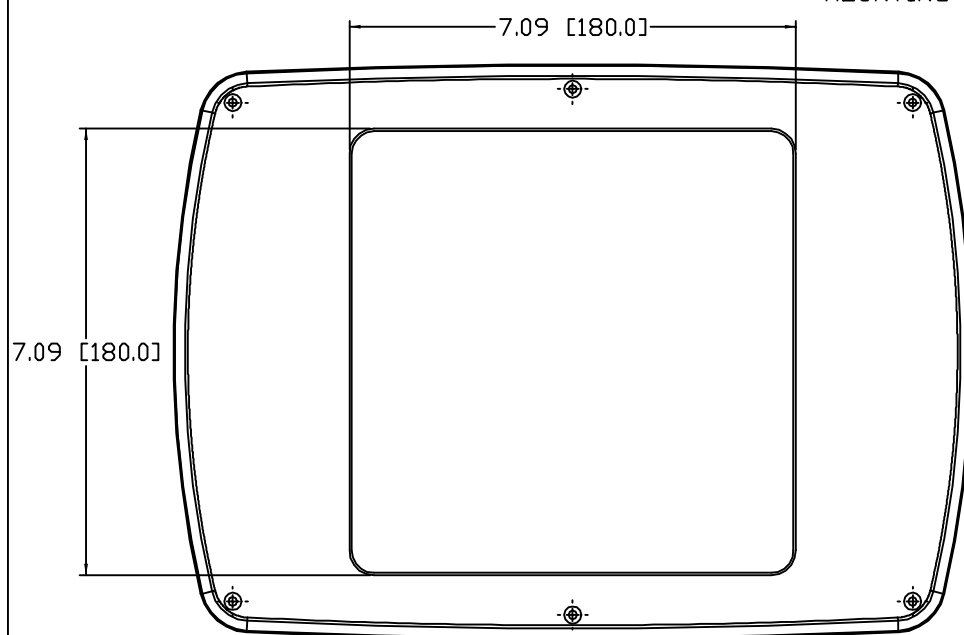
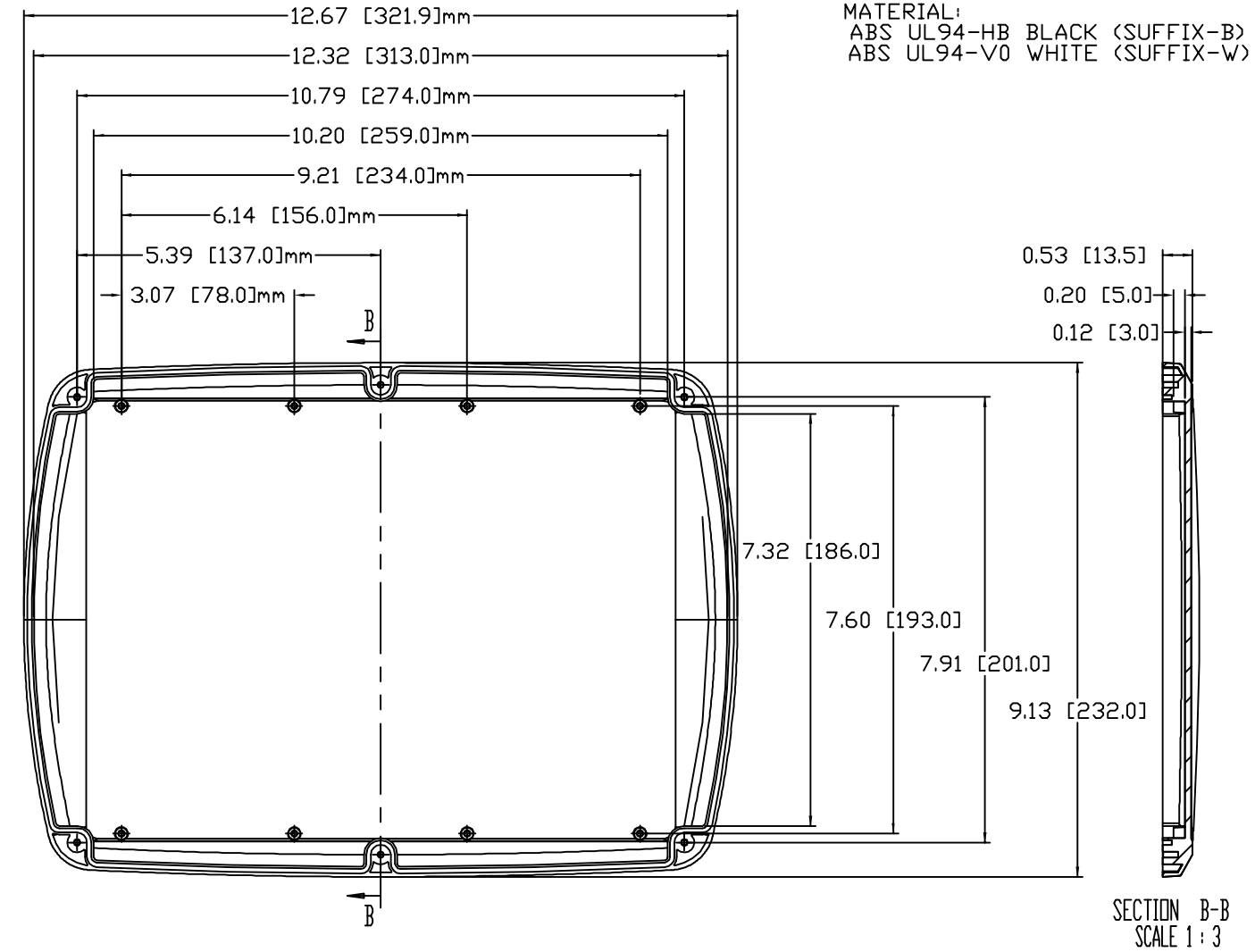
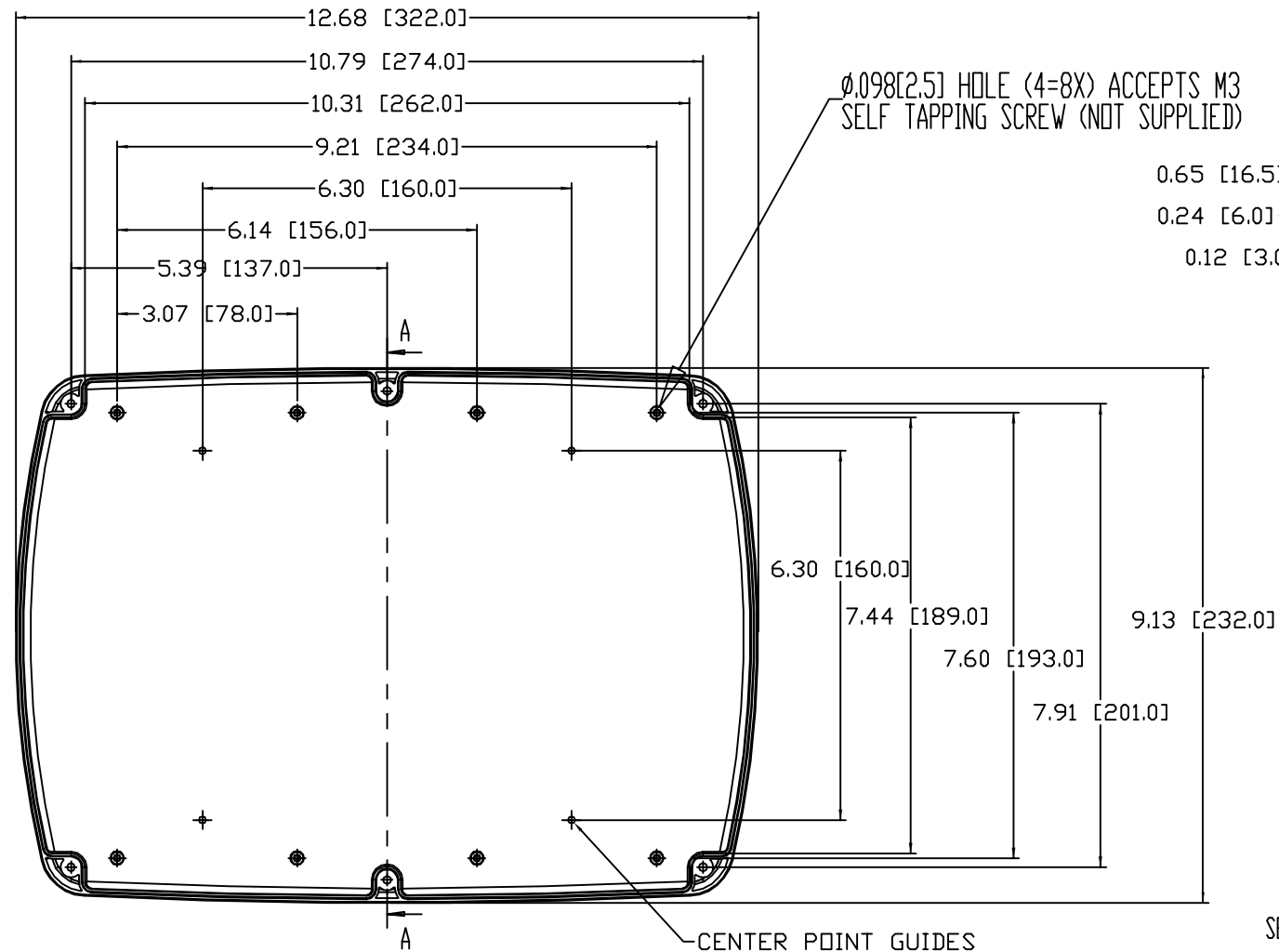
PART No.

TB-32614-B & TB-32614-W

REV. DATE

2-23-13

MATERIAL:  
ABS UL94-HB BLACK (SUFFIX-B)  
ABS UL94-V0 WHITE (SUFFIX-W)



CENTER POINT GUIDES FOR DRILLING WALL MOUNTING HOLES (4X)

RECESSED AREA ACCEPTS 10.40[264.16] LCD MODULE OR TOUCHSCREEN

- NOTES:
- 1.) SIX (6) M3 X .63[16] LG. SELF-TAPPING SCREWS SUPPLIED FOR ASSEMBLY
  - 2.) FOUR (4) ADD-ON RUBBER FEET SUPPLIED
  - 3.) ALL HOLE DIAMETERS HAVE +/- .005[.13] TOLERANCE  
ALL OTHER DIMENSIONS HAVE +/- .015[.38] TOLERANCE
  - 4.) DIMENSIONS ARE INCH[MILLIMETER]-THIRD ANGLE PROJECTION
  - 5.) OPTIONAL SILICONE SPONGE GASKET #TB-32614-GSK AVAILABLE