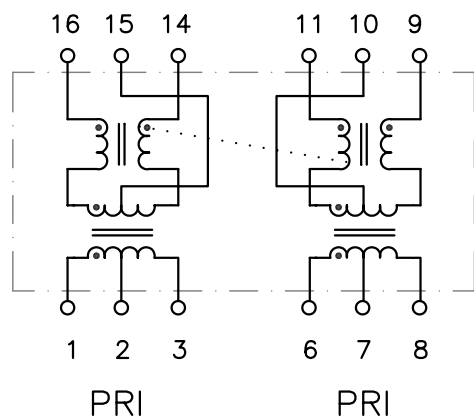


DIMENSIONS: Inch [mm]
TOLERANCES: ±0.005 INCH IF NOT SPECIFIED



PART NO. : TD43-2006KRL

16PIN DIP ISOLATION MODULE
MEET REQUIREMENTS OF 10BASE-T
FILTERLESS SOLUTION
LEAD-FREE/RoHS COMPLIANT
COMPATIBLE TO LEAD-FREE WAVE SOLDERING
PROCESS FOR THROUGH HOLE COMPONENTS
OPERATING TEMPERATURE -40/+85°C

ELECTRICAL SPECIFICATIONS @25° C

TURNS RATIO
 P1-3:P16-14 1CT:1CT ±3%
 P6-8:P11-9 1CT:1.41CT ±3%
 OCL (PRI) 200µH typ
 DCR (PRI) 0.4Ω max
 Cw/w 15pF max
 LL (PRI) 0.4µH max
 CHOKE INDUCTANCE 36µH typ
 ISOLATION 2000Vrms

HALO/PBL

CALIFORNIA, USA
KOWLOON, HONG KONG
SINGAPORE

TITLE	16PIN ISOLATION MODULE		SIGNATURES	DATE	REV.	DESC.	DATE
FOR	10BASE-T		DRAWN	PETER LU	9/8/05	A	
PART NO.	TD43-2006KRL		CHECKED				
SCALE	NONE	PAGE	1 OF 1	APPROVED			
				FILE	TD43KRL.DWG		