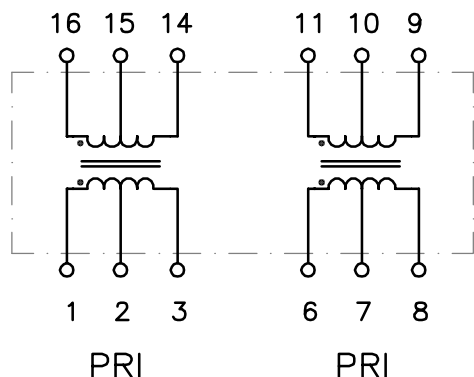


PART NO. : TD42-2006QRL

16PIN DIP ISOLATION MODULE
 MEET REQUIREMENTS OF 10BASE-T
 FILTERLESS SOLUTION
 LEAD-FREE/RoHS COMPLIANT
 COMPATIBLE TO LEAD-FREE WAVE SOLDERING
 PROCESS FOR THROUGH HOLE COMPONENTS
 OPERATING TEMPERATURE -40/+85°C

DIMENSIONS : Inch[mm]



ELECTRICAL SPECIFICATIONS @25° C

TURNS RATIO
 P1-3:P16-14 1CT:1CT ±3%
 P6-8:P11-9 1CT:1.41CT ±3%
 OCL (PRI) 200µH typ
 DCR (PRI) 0.4Ω max
 Cw/w 15pF max
 LL (PRI) 0.4µH max
 ISOLATION 2000Vrms

HALO/PBL

CALIFORNIA, USA
 KOWLOON, HONG KONG
 SINGAPORE

TITLE	16PIN ISOLATION MODULE		SIGNATURES		DATE	REV.	DESC.	DATE
	FOR	10BASE-T	DRAWN PETER LU		7/29/05	A		
		PART NO.	TD42-2006QRL	CHECKED				
	SCALE		NONE	APPROVED				
	PAGE	1 OF 1	FILE		TD42QRL.DWG			