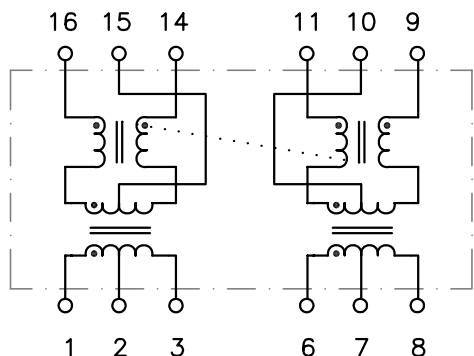


PART NO. : TD75-1406KRL

16PIN DIP ISOLATION MODULE
 MEET REQUIREMENTS OF 10BASE-T
 FILTERLESS SOLUTION
 RoHS COMPLIANT
 COMPATIBLE TO LEAD-FREE WAVE SOLDERING
 PROCESS FOR THROUGH HOLE COMPONENTS
 OPERATING TEMPERATURE 0/70°C

DIMENSIONS: Inch [mm]
 TOLERANCES: ±0.005 INCH IF NOT SPECIFIED



ELECTRICAL SPECIFICATIONS @25° C

TURNS RATIO
 P1-3:P16-14 1CT:1CT ±3%
 P6-8:P11-9 1CT:2CT ±3%
 OCL P1-3 140µH typ
 P6-8 25µH typ
 DCR P1-3,P6-8 0.3Ω max
 Cw/w 15pF max
 LL P1-3,P6-8 0.4µH max
 CHOKE OCL 30µH typ
 ISOLATION 1,500Vrms



HALO/PBL

CALIFORNIA, USA
 KOWLOON, HONG KONG
 SINGAPORE

TITLE	16PIN ISOLATION MODULE		SIGNATURES		DATE	REV.	DESC.	DATE
	FOR		DRAWN		2/21/08	A	FIRST ISSUE	2/21/08
	PART NO.		CHECKED		2/21/08			
	SCALE		APPROVED		2/21/08			
	NONE	PAGE	1 OF 1		FILE	TD75KRL.DWG		