



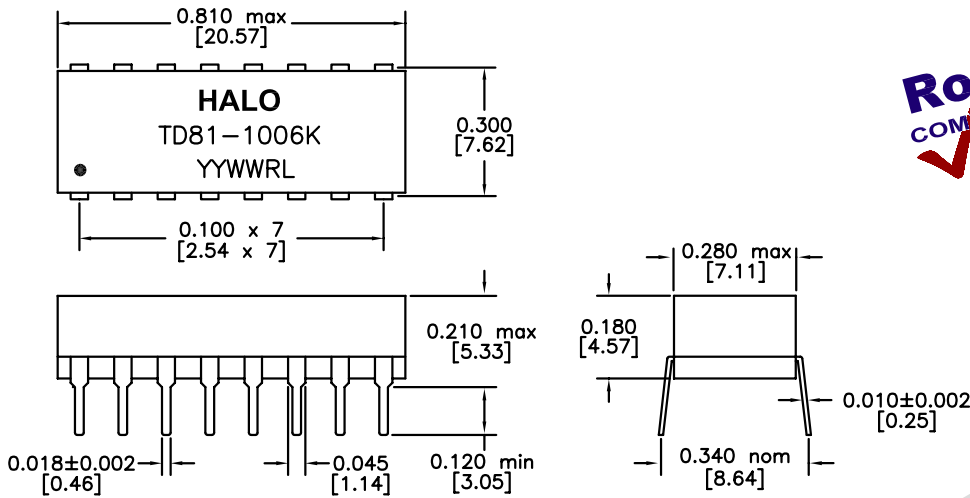
PART NO. : TD81-1006KRL

16PIN DIP ISOLATION MODULE
 MEET REQUIREMENTS OF 10BASE-T
 FILTERLESS SOLUTION

RoHS COMPLIANT

COMPATIBLE TO LEAD-FREE WAVE SOLDERING
 PROCESS FOR THROUGH HOLE COMPONENTS

OPERATING TEMPERATURE 0/70°C



DIMENSIONS: Inch [mm]
 TOLERANCES: ±0.005 INCH IF NOT SPECIFIED

ELECTRICAL SPECIFICATIONS @25° C

URNS RATIO

P1-3:P16-14

1CT:1CT ±3%

P6-8:P11-9

1CT:1CT ±3%

OCL (PRI)

100µH typ

DCR (PRI)

0.3Ω max

LL (PRI)

0.3µH max

Cw/w

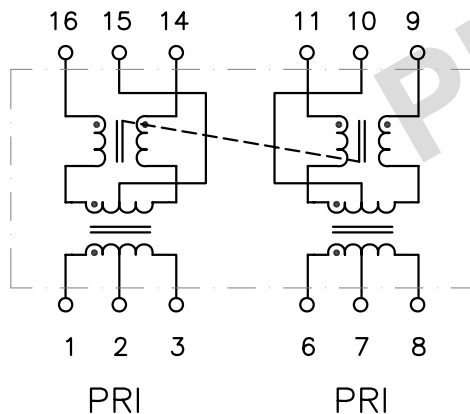
9pF max

CHOKE INDUCTANCE

30µH typ

ISOLATION

2000Vrms



HALO/PBL

CALIFORNIA, USA
 KOWLOON, HONG KONG
 SINGAPORE

TITLE	16PIN ISOLATION MODULE		SIGNATURES	DATE	REV.	DESC.	DATE
FOR	10BASE-T		DRAWN	LI ZHI ZHONG	10/22/10	A	FIRST ISSUE
PART NO.	TD81-1006KRL		CHECKED	LEI KEONG	10/22/10		
SCALE	NONE	PAGE	1 OF 1	APPROVED	PETER LU	10/22/10	
				FILE	TD86KRL.DWG		

