



## TE0808 TRM

Revision v.41

Exported on 2022-09-13

Online version of this document:

<https://wiki.trenz-electronic.de/display/PD/TE0808+TRM>

# 1 Table of Contents

---

1	Table of Contents.....	2
2	Table of Figures.....	4
3	Table of Tables.....	5
4	Overview.....	6
4.1	Key Features.....	6
4.2	Block Diagram.....	7
4.3	Main Components.....	8
4.4	Initial Delivery State.....	9
5	Signals, Interfaces and Pins.....	10
5.1	Board to Board (B2B) connectors.....	10
5.2	MGT Lanes.....	11
5.3	JTAG Interface.....	15
5.4	Configuration Bank Control Signals.....	16
5.5	Analog Input.....	17
5.6	Quad SPI Interface.....	17
6	Boot Process.....	18
7	On-board Peripherals.....	20
7.1	Flash.....	20
7.2	DDR4 SDRAM.....	20
7.3	Programmable PLL Clock Generator.....	20
7.4	Oscillators.....	22
7.5	On-board LEDs.....	22
8	Power and Power-On Sequence.....	24
8.1	Power Consumption.....	24
8.2	Power Distribution Dependencies.....	25
8.3	Power-On Sequence Diagram.....	27
8.4	Operation Conditions of the DC-DC Converter Control Signals.....	28
8.5	Voltage Monitor Circuit.....	30
8.6	Power Rails.....	31
8.7	Bank Voltages.....	32
9	B2B connectors.....	33
9.1	Features.....	33
9.2	Connector Stacking height.....	33
9.3	Current Rating.....	34
9.4	Connector Speed Ratings.....	34
10	Variants Currently In Production.....	35
11	Technical Specifications.....	36
11.1	Absolute Maximum Ratings.....	36
11.2	Recommended Operating Conditions.....	37
11.3	Operating Temperature Ranges.....	39

11.4	Physical Dimensions .....	39
12	Revision History .....	41
12.1	Hardware Revision History .....	41
12.2	Document Change History.....	41
13	Disclaimer.....	43
13.1	Data Privacy.....	43
13.2	Document Warranty.....	43
13.3	Limitation of Liability.....	43
13.4	Copyright Notice .....	43
13.5	Technology Licenses.....	43
13.6	Environmental Protection .....	43
13.7	REACH, RoHS and WEEE .....	43

## 2 Table of Figures

---

### 3 Table of Tables

---

Table 1: Connectors. ....	33
Table 2: Speed rating. ....	34

## 4 Overview

---

The Trenz Electronic TE0808 is an industrial-grade MPSoC SoM integrating a Xilinx Zynq UltraScale+ MPSoC, up to 8 GBytes of DDR4 SDRAM via 64-bit wide data bus, max. 512 MByte Flash memory for configuration and operation, 20 Gigabit transceivers and powerful switch-mode power supplies for all on-board voltages. A large number of configurable I/Os are provided via rugged high-speed stacking connections. All this in a compact 5.2 x 7.6 cm form factor, at the competitive price.

Refer to <http://trenz.org/te0808-info> for the current online version of this manual and other available documentation.

### 4.1 Key Features

---

- MPSoC: ZYNQ UltraScale+ ZU9EG 900 pin package
- Memory
  - 64-Bit DDR4, 8 GByte maximum
  - Dual SPI boot Flash in parallel, 512 MByte maximum
- User I/Os
  - 65 x PS MIOs, 48 x PL HD GPIOs, 156 x PL HP GPIOs (3 banks)
  - Serial transceivers: 4 x GTR + 16 x GTH
  - Transceiver clocks inputs and outputs
  - PLL clock generator inputs and outputs
- Si5345 - 10 output PLL
- All power supplies on board, single 3.3V power source required
  - 14 on-board DC-DC regulators and 13 LDOs
  - LP, FP, PL separately controlled power domains
- Support for all boot modes (except NAND) and scenarios
- Support for any combination of PS connected peripherals
- Size: 52 x 76 mm, 3 mm mounting holes for skyline heat spreader
- B2B connectors: 4 x 160 pin

## 4.2 Block Diagram

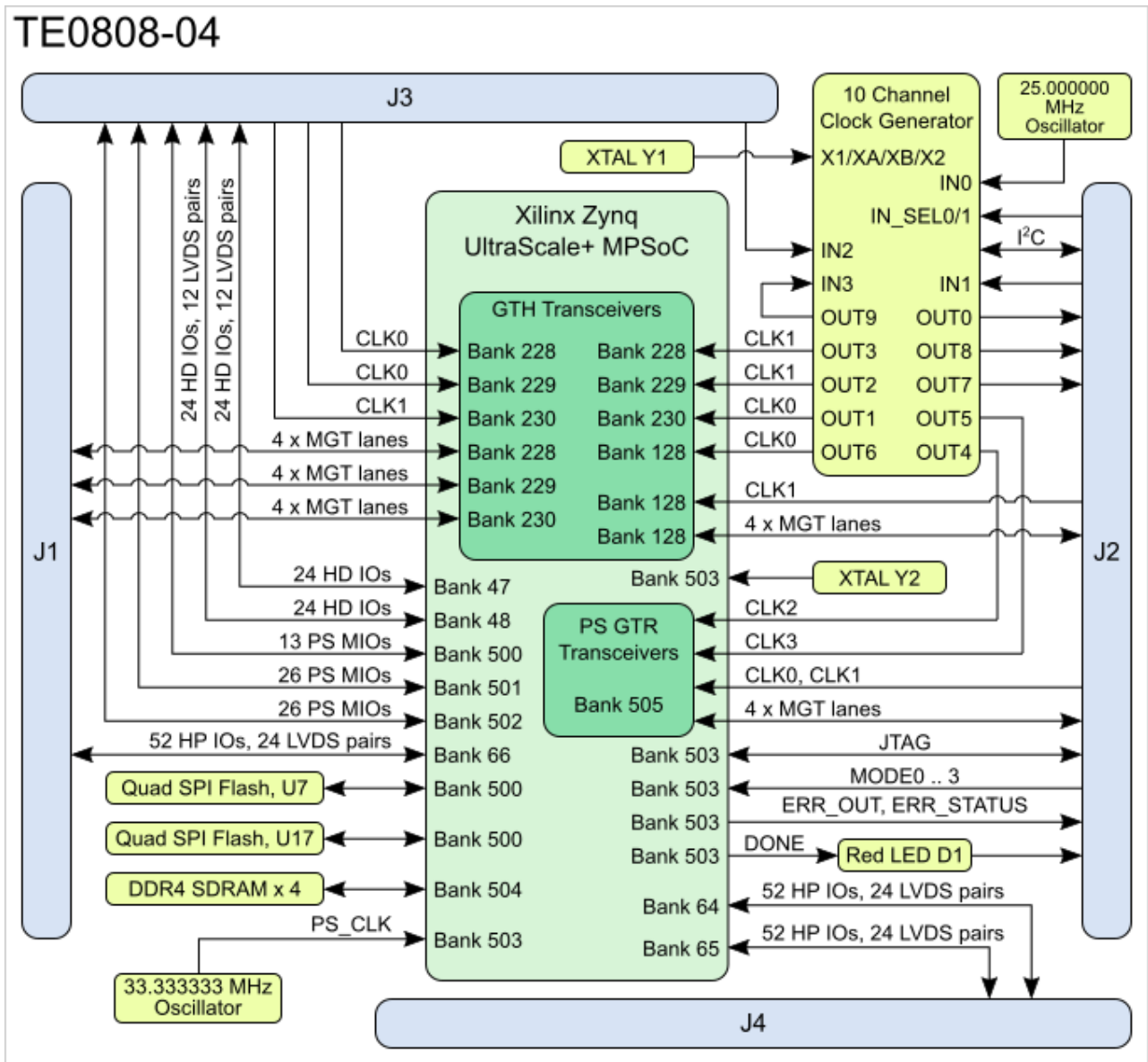
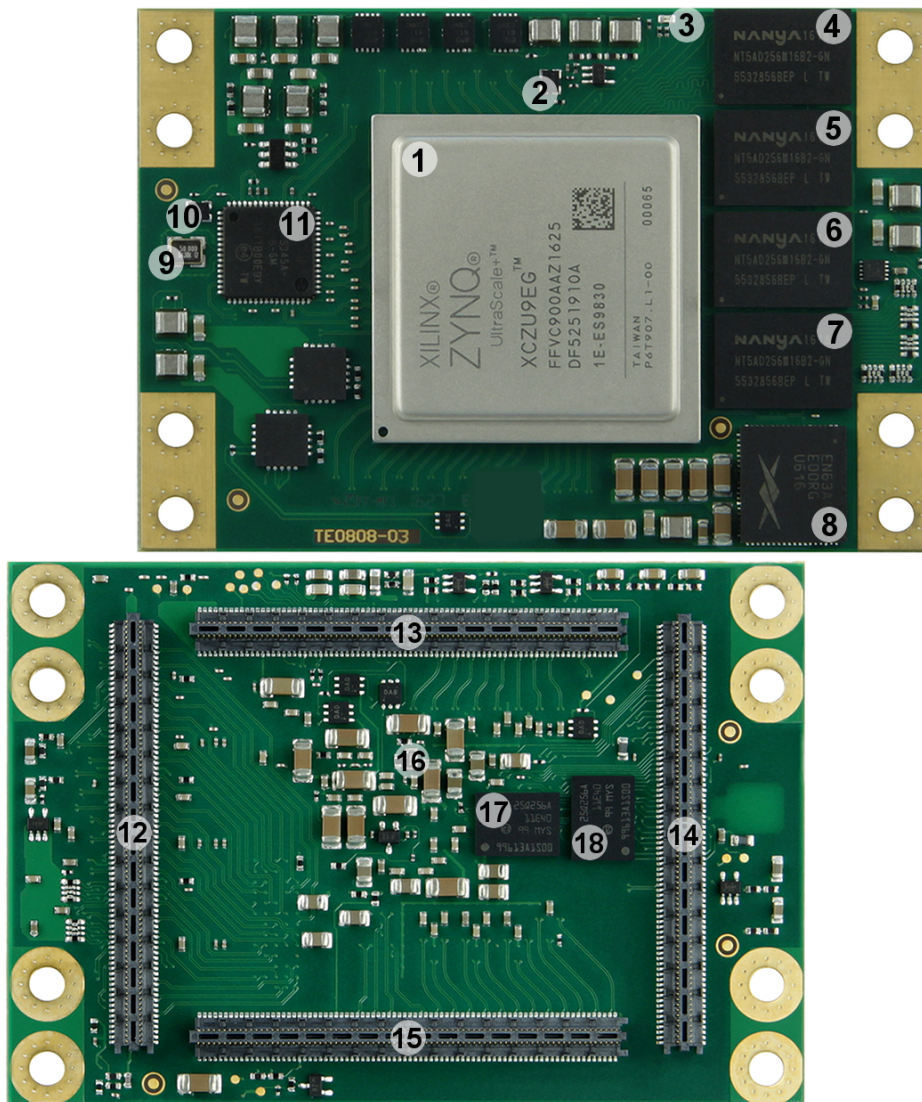


Figure 1: TE0808-04 Block Diagram.

### 4.3 Main Components



**Figure 2:** TE0808 MPSoC module.

1. Xilinx ZYNQ UltraScale+ XCZU9EG MPSoC, U1
2. Low-power programmable oscillator @ 33.333333 MHz (PS\_CLK), U32
3. Red LED (DONE), D1
4. 256Mx16 DDR4-2400 SDRAM, U12
5. 256Mx16 DDR4-2400 SDRAM, U9
6. 256Mx16 DDR4-2400 SDRAM, U2
7. 256Mx16 DDR4-2400 SDRAM, U3
8. 12A PowerSoC DC-DC converter, U4
9. Quartz crystal, Y1
10. Low-power programmable oscillator @ 25.000000 MHz (IN0 for U5), U25
11. 10-channel programmable PLL clock generator, U5
12. Ultra fine 0.50 mm pitch, Razor Beam™ LP Slim Terminal Strip with 160 contacts, J4
13. Ultra fine 0.50 mm pitch, Razor Beam™ LP Slim Terminal Strip with 160 contacts, J2
14. Ultra fine 0.50 mm pitch, Razor Beam™ LP Slim Terminal Strip with 160 contacts, J3
15. Ultra fine 0.50 mm pitch, Razor Beam™ LP Slim Terminal Strip with 160 contacts, J1
16. Quartz crystal, Y2



17. 256 Mbit serial NOR Flash memory, U7
18. 256 Mbit serial NOR Flash memory, U17

## 4.4 Initial Delivery State

---

Storage device name	Content	Notes
SPI Flash main array	Not programmed	-
eFUSE Security	Not programmed	-
Si5345A programmable PLL NVM OTP	Not programmed	-

**Table 1:** Initial Delivery State of the flash memories.

## 5 Signals, Interfaces and Pins

### 5.1 Board to Board (B2B) connectors

The TE0808 MPSoC SoM has four Board to Board (B2B) connectors with 160 contacts per connector.

Each connector has a specific arrangement of the signal pins, which are grouped together in categories related to their functionalities and to their belonging to particular units of the Zynq UltraScale+ MPSoC like I/O banks, interfaces and Gigabit transceivers or to the on-board peripherals.

Following table lists the I/O-bank signals, which are routed from the MPSoC's PL and PS banks as LVDS pairs or single ended I/O's to the B2B connectors.

Bank	Type	B2B Connector	Schematic Names / Connector Pins	I/O Signals	LVDS Pairs	VCCO Bank Voltage	Notes
47	HD	J3	B47_L1_P ... B47_L12_P B47_L1_N ... B47_L12_N	24 I/Os	12	VCCO47 pins J3-43, J3-44	VCCO max. 3.3V usable as single-ended I/Os
48	HD	J3	B48_L1_P ... B48_L12_P B48_L1_N ... B48_L12_N	24 I/Os	12	VCCO48 pins J3-15, J3-16	VCCO max. 3.3V usable as single-ended I/Os
64	HP	J4	B64_L1_P ... B64_L24_P B64_L1_N ... B64_L24_N  B_64_T0 ... B_64_T3	52 I/O's	24	VCCO64 pins J4-58, J4-106	VCCO max. 1.8V usable as single-ended I/Os
65	HP	J4	B65_L1_P ... B65_L24_P B65_L1_N ... B65_L24_N  B_65_T0 ... B_65_T3	52 I/Os	24	VCCO65 pins J4-69, J4-105	VCCO max. 1.8V usable as single-ended I/Os

Bank	Type	B2B Connector	Schematic Names / Connector Pins	I/O Signals	LVDS Pairs	VCCO Bank Voltage	Notes
66	HP	J1	B66_L1_P ... B66_L24_P B66_L1_N ... B66_L24_N  B_66_T0 ... B_66_T3	48 I/Os	24	VCCO66 pins J1-90, J1-120	VCCO max. 1.8V usable as single-ended I/Os
500	MIO	J3	MIO13 ... MIO25	13 I/Os	-	PS_1V8	User configurable I/Os on B2B
501	MIO	J3	MIO26 ... MIO51	26 I/Os	-	PS_1V8	User configurable I/Os on B2B
502	MIO	J3	MIO52 ... MIO77	26 I/Os	-	PS_1V8	User configurable I/Os on B2B

**Table 2:** B2B connector pin-outs of available PL and PS banks of the TE0808-04 SoM.

All MIO banks are powered from on-module DC-DC power rail. All PL I/O Banks have separate VCCO pins in the B2B connectors, valid VCCO should be supplied from the baseboard.

For detailed information about the B2B pin-out, please refer to the [Pin-out<sup>1</sup>](#) table.

The configuration of the I/O's MIO13 - MIO77 are depending on the base-board peripherals connected to these pins.

## 5.2 MGT Lanes

The B2B connector J1 and J2 provide also access to the MGT banks of the Zynq UltraScale+ MPSoC. There are 20 high-speed data lanes (Xilinx GTH / GTR transceiver) available composed as differential signaling pairs for both directions (RX/TX).

The MGT banks have also clock input-pins which are exposed to the B2B connectors J2 and J3. Following MGT lanes are available on the B2B connectors:

<sup>1</sup> [https://shop.trenz-electronic.de/de/Download/?path=Trenz\\_Electronic/Pinout](https://shop.trenz-electronic.de/de/Download/?path=Trenz_Electronic/Pinout)

Bank	Type	B2B Connector	Count of MGT Lanes	Schematic Names / Connector Pins	MGT Bank's Reference Clock Inputs
228	GTH	J1	4 GTH lanes (4 RX / 4 TX)	B228_RX3_P, B228_RX3_N, pins J1-51, J1-53 B228_TX3_P, B228_TX3_N, pins J1-50, J1-52  B228_RX2_P, B228_RX2_N, pins J1-57, J1-59 B228_TX2_P, B228_TX2_N, pins J1-56, J1-58  B228_RX1_P, B228_RX1_N, pins J1-63, J1-65 B228_TX1_P, B228_TX1_N, pins J1-62, J1-63  B228_RX0_P, B228_RX0_N, pins J1-69, J1-71 B228_TX0_P, B228_TX0_N, pins J1-68, J1-70	1 reference clock signal (B228_CLK0) from B2B connector J3 (pins J3-60, J3-62) to bank's pins R8/R7  1 reference clock signal (B228_CLK1) from programmable PLL clock generator U5 to bank's pins N8/ N7
229	GTH	J1	4 GTH lanes (4 RX / 4 TX)	B229_RX3_P, B229_RX3_N, pins J1-27, J1-29 B229_TX3_P, B229_TX3_N, pins J1-26, J1-28  B229_RX2_P, B229_RX2_N, pins J1-33, J1-35 B229_TX2_P, B229_TX2_N, pins J1-32, J1-34  B229_RX1_P, B229_RX1_N, pins J1-39, J1-41	1 reference clock signal (B229_CLK0) from B2B connector J3 (pins J3-65, J3-67) to bank's pins L8/L7  1 reference clock signal (B229_CLK1) from programmable PLL clock generator U5 to bank's pins J8/ J7

Bank	Type	B2B Connector	Count of MGT Lanes	Schematic Names / Connector Pins	MGT Bank's Reference Clock Inputs
				B229_TX1_P, B229_TX1_N, pins J1-38, J1-40  B229_RX0_P, B229_RX0_N, pins J1-45, J1-47 B229_TX0_P, B229_TX0_N, pins J1-44, J1-46	
230	GTH	J1	4 GTH lanes (4 RX / 4 TX)	B230_RX3_P, B230_RX3_N, pins J1-3, J1-5 B230_TX3_P, B230_TX3_N, pins J1-2, J1-4  B230_RX2_P, B230_RX2_N, pins J1-9, J1-11 B230_TX2_P, B230_TX2_N, pins J1-8, J1-10  B230_RX1_P, B230_RX1_N, pins J1-15, J1-17 B230_TX1_P, B230_TX1_N, pins J1-14, J1-16  B230_RX0_P, B230_RX0_N, pins J1-21, J1-23 B230_TX0_P, B230_TX0_N, pins J1-20, J1-22	1 reference clock signal (B230_CLK1) from B2B connector J3 (pins J3-59, J3-61) to bank's pins E8/E7  1 reference clock signal (B230_CLK0) from programmable PLL clock generator U5 to bank's pins G8/ G7
128	GTH	J2	4 GTH lanes (4 RX / 4 TX)	B128_RX3_N, B128_RX3_P, pins J2-28, J2-30 B128_TX3_N,	1 reference clock signal (B128_CLK1) from B2B connector J2 (pins J2-22, J2-24)

Bank	Type	B2B Connector	Count of MGT Lanes	Schematic Names / Connector Pins	MGT Bank's Reference Clock Inputs
				B128_TX3_P, pins J2-25, J2-27 B128_RX2_N, B128_RX2_P, pins J2-34, J2-36 B128_TX2_N, B128_TX2_P, pins J2-31, J2-33 B128_RX1_N, B128_RX1_P, pins J2-40, J2-42 B128_TX1_N, B128_TX1_P, pins J2-37, J2-39 B128_RX0_N, B128_RX0_P, pins J2-46, J2-48 B128_TX0_N, B128_TX0_P, pins J2-43, J2-45	to bank's pins D25/D26  1 reference clock signal (B128_CLK0) from programmable PLL clock generator U5 to bank's pins F25/F26

Bank	Type	B2B Connector	Count of MGT Lanes	Schematic Names / Connector Pins	MGT Bank's Reference Clock Inputs
505	GTR	J2	4 GTR lanes (4 RX / 4 TX)	B505_RX3_N, B505_RX3_P, pins J2-52, J2-54 B505_TX3_N, B505_TX3_P, pins J2-49, J2-51  B505_RX2_N, B505_RX2_P, pins J2-58, J2-60 B505_TX2_N, B505_TX2_P, pins J2-55, J2-57  B505_RX1_N, B505_RX1_P, pins J2-64, J2-66 B505_TX1_N, B505_TX1_P, pins J2-61, J2-63  B505_RX0_N, B505_RX0_P, pins J2-70, J2-72 B505_TX0_N, B505_TX0_P, pins J2-67, J2-69	2 reference clock signals (B505_CLK0, B505_CLK1) from B2B connector J2 (pins J2-10/J2-12, J2-16/J2-18) to bank's pins P25/P26, M25/M26  2 reference clock signal (B505_CLK2, B505_CLK3) from programmable PLL clock generator U5 to bank's pins K25/K26, H25/H26

**Table 3:** B2B connector pin-outs of available MGT lanes of the MPSoC.

## 5.3 JTAG Interface

JTAG access is provided through the MPSoC's PS configuration bank 503 with bank voltage PS\_1V8.

JTAG Signal	B2B Connector Pin
TCK	J2-120
TDI	J2-122
TDO	J2-124

JTAG Signal	B2B Connector Pin
TMS	J2-126

**Table 4:** B2B connector pin-out of JTAG interface.

## 5.4 Configuration Bank Control Signals

The Xilinx Zynq UltraScale+ MPSoC's PS configuration bank 503 control signal pins are accessible through B2B connector J2.

For further information about the particular control signals and how to use and evaluate them, refer to the [Xilinx Zynq UltraScale+ MPSoC TRM](#)<sup>2</sup> and [UltraScale Architecture Configuration - User Guide](#)<sup>3</sup>.

Signal	B2B Connector Pin	Function
DONE	J2-116	PL configuration completed.
PROG_B	J2-100	PL configuration reset signal.
INIT_B	J2-98	PS is initialized after a power-on reset.
SRST_B	J2-96	System reset.
MODE0 ... MODE3	J2-109/J2-107/J2-105/ J2-103	4-bit boot mode pins.  For further information about the boot modes refer to the Xilinx Zynq UltraScale+ MPSoC TRM section 'Boot and Configuration'.
ERR_STATUS / ERR_OUT	J2-86 / J2-88	ERR_OUT signal is asserted for accidental loss of power, an error, or an exception in the MPSoC's Platform Management Unit (PMU).  ERR_STATUS indicates a secure lock-down state.
PUDC_B	J2-127	Pull-up during configuration (pulled-up to PL_1V8).

**Table 5:** B2B connector pin-out of MPSoC's PS configuration bank.

<sup>2</sup> [https://www.xilinx.com/support/documentation/user\\_guides/ug1085-zynq-ultrascale-trm.pdf](https://www.xilinx.com/support/documentation/user_guides/ug1085-zynq-ultrascale-trm.pdf)

<sup>3</sup> [https://www.xilinx.com/support/documentation/user\\_guides/ug570-ultrascale-configuration.pdf](https://www.xilinx.com/support/documentation/user_guides/ug570-ultrascale-configuration.pdf)



## 5.5 Analog Input

The Xilinx Zynq UltraScale+ MPSoC provides differential pairs for analog input values. The pins are exposed to B2B-connector J2.

Signal	B2B Connector Pin	Function
V_P, V_N	J2-113, J2-115	System Monitor
DX_P, DX_N	J2-119, J2-121	Temperature-sensing diode pins

**Table 6:** B2B connector pin-out of analog input pins

## 5.6 Quad SPI Interface

Quad SPI Flash memory ICs U7 and U17 are connected to the Zynq MPSoC PS QSPI0 interface via PS MIO bank 500, pins MIO0 ... MIO5 and MIO7 ... MIO12.

MIO	Signal Name	U7 Pin		MIO	Signal Name	U17 Pin
0	SPI Flash CLK	B2		7	SPI Flash CS	C2
1	SPI Flash IO1	D2		8	SPI Flash IO0	D3
2	SPI Flash IO2	C4		9	SPI Flash IO1	D2
3	SPI Flash IO3	D4		10	SPI Flash IO2	C4
4	SPI Flash IO0	D3		11	SPI Flash IO3	D4
5	SPI Flash CS	C2		12	SPI Flash CLK	B2

**Table 7:** PS MIO pin assignment of the Quad SPI Flash memory ICs.

## 6 Boot Process

The boot device and mode of the Zynq UltraScale+ MPSoC can be selected via 4 dedicated pins accessible on B2B connector J2:

Boot Mode Pin	B2B Pin
PS_MODE0	J2-109
PS_MODE1	J2-107
PS_MODE2	J2-105
PS_MODE3	J2-103

**Table 8:** Boot mode pins on B2B connector J2.

Following boot modes are possible on the TE0808 UltraScale+ module by generating the corresponding 4-bit code by the pins PS\_MODE0 ... PS\_MODE3 (little-endian alignment):

Boot Mode	Mode Pins [3:0]	MIO Location	Description
JTAG	0x0	JTAG	Dedicated PS interface.
QSPI32	0x2	MIO[12:0]	Configured on module with dual QSPI Flash Memory. 32-bit addressing. Supports single and dual parallel configurations. Stack and dual stack is not supported.
SD0	0x3	MIO[25:13]	Supports SD 2.0.
SD1	0x5	MIO[51:38]	Supports SD 2.0.
eMMC_18	0x6	MIO[22:13]	Supports eMMC 4.5 at 1.8V.
USB 0	0x7	MIO[52:63]	Supports USB 2.0 and USB 3.0.
PJTAG_0	0x8	MIO[29:26]	PS JTAG connection 0 option.

Boot Mode	Mode Pins [3:0]	MIO Location	Description
SD1-LS	0xE	MIO[51:39]	Supports SD 3.0 with a required SD 3.0 compliant level shifter.

**Table 9:** Selectable boot modes by dedicated boot mode pins.

For functional details see [ug1085 - Zynq UltraScale+ TRM \(Boot Modes Section\)](#)<sup>4</sup>.

---

<sup>4</sup> [https://www.xilinx.com/support/documentation/user\\_guides/ug1085-zynq-ultrascale-trm.pdf](https://www.xilinx.com/support/documentation/user_guides/ug1085-zynq-ultrascale-trm.pdf)

## 7 On-board Peripherals

### 7.1 Flash

The TE0808 SoM can be configured with max. 512 MByte Flash memory for configuration and operation.

Name	IC	Designator	PS7	MIO	Notes
SPI Flash	N25Q256A11 E1240E	U7	QSPIO	MIO0 ... MIO5	dual parallel booting possible, 32 MByte memory per Flash IC at standard configuration
SPI Flash	N25Q256A11 E1240E	U17	QSPIO	MIO7 ... MIO12	as above

**Table 10:** Peripherals connected to the PS MIO pins.

### 7.2 DDR4 SDRAM

The TE0808-04 SoM is equipped with with four DDR4-2400 SDRAM chip with up to 8 GByte memory density. The SDRAM chips are connected to the Zynq MPSoC's PS DDR controller (bank 504) with a 64-bit data bus.

Refer to the Xilinx Zynq UltraScale+ datasheet [DS925<sup>5</sup>](#) for more information on whether the specific package of the Zynq UltraScale+ MPSoC supports the maximum data transmission rate of 2400 MByte/s.

### 7.3 Programmable PLL Clock Generator

Following table illustrates on-board Si5345A programmable clock multiplier chip inputs and outputs:

Input	Connected to	Frequency	Notes
IN0	On-board Oscillator (U25)	25.000000 MHz	-
IN1	B2B Connector pins J2-4, J2-6 (differential pair)	User	AC decoupling required on base
IN2	B2B Connector pins J3-66, J3-68 (differential pair)	User	AC decoupling required on base
IN3	OUT9	User	Loop-back from OUT9

<sup>5</sup> [https://www.xilinx.com/support/documentation/data\\_sheets/ds925-zynq-ultrascale-plus.pdf](https://www.xilinx.com/support/documentation/data_sheets/ds925-zynq-ultrascale-plus.pdf)

Output	Connected to	Frequency	Notes
OUT0	B2B Connector pins J2-3, J2-1 (differential pair)	User	Default off
OUT1	B230 CLK0	User	Default off
OUT2	B229 CLK1	User	Default off
OUT3	B228 CLK1	User	Default off
OUT4	B505 CLK2	User	Default off
OUT5	B505 CLK3	User	Default off
OUT6	B128 CLK0	User	Default off
OUT7	B2B Connector pins J2-13, J2-15 (differential pair)	User	Default off
OUT8	B2B Connector pins J2-7, J2-9 (differential pair)	User	Default off
OUT9	IN3 (Loop-back)	User	Default off
XA/XB	Quartz (Y1)	50.000 MHz	-

**Table 11:** Programmable PLL clock generator input/output.

The Si5345A programmable clock generator's control interface pins are exposed to B2B connector J2. For further information refer to the Si5345A data sheet.

Signal	B2B Connector Pin	Function
PLL_FINC	J2-81	Frequency increment.
PLL_LOLN	J2-85	Loss of lock (active-low).
PLL_SEL0 / PLL_SEL1	J2-93 / J2-87	Manual input switching.
PLL_FDEC	J2-94	Frequency decrement.

Signal	B2B Connector Pin	Function
PLL_RST	J2-89	Device reset (active-low)
PLL_SCL / PLL_SDA	J2-90 / J2-92	I <sup>2</sup> C interface, external pull-ups needed for SCL / SDA lines.  I <sup>2</sup> C address in current configuration: 1101001b.

**Table 12:** B2B connector pin-out of Si5345A programmable clock generator.

**!** Si5345 OTP ROM is not programmed by default at delivery, so it is customers responsibility to either configure Si5345 during FSBL or then use SiLabs programmer and program the OTP ROM with customer fixed clock setup.

Si5345 OTP can only be programmed two times, as different user configurations may required different setup TE0808 is normally shipped with blank OTP.

For more information refer to [Si5345 at SiLabs](#).<sup>6</sup>

## 7.4 Oscillators

The TE0808-04 SoM is equipped with two on-board oscillators to provide the Zynq's MPSoC's PS configuration bank 503 with reference clock signals.

Clock	Frequency	Bank 503 Pin	Connected to
PS_CLK	33.333333 MHz	P20	MEMS Oscillator, U32
PS_PAD (RTC)	32.768 kHz	R22/R23	Quartz crystal, Y2

**Table 13:** Reference clock-signals to PS configuration bank 503.

## 7.5 On-board LEDs

LED	Color	Connected to	Description and Notes
D1	Red	DONE signal (PS Configuration Bank 503)	This LED goes ON when power has been applied to the module and stays ON until MPSoC's programmable logic is configured properly.

<sup>6</sup> <http://www.silabs.com/products/timing/clocks/high-performance-jitter-attenuators/device.si5345a>

**Table 14:** LED's description.

## 8 Power and Power-On Sequence

### 8.1 Power Consumption

The maximum power consumption of a module mainly depends on the design which is running on the FPGA.

Xilinx provide a power estimator excel sheets to calculate power consumption. It's also possible to evaluate the power consumption of the developed design with Vivado. See also Trenz Electronic Wiki [FAQ](#)<sup>7</sup>.

Power Input Pin	Typical Current
DCDCIN	TBD*
LP_DCDC	TBD*
PL_DCIN	TBD*
PS_BATT	TBD*

**Table 15:** Maximum current of power supplies. \*to be determined soon with reference design setup.

Power supply with minimum current capability of 3A for system startup is recommended. For the lowest power consumption and highest efficiency of on board DC/DC regulators it is recommended to powering the module from one single 3.3V supply. Except 'PS\_BATT', all input power supplies have a nominal value of 3.3V. Although the input power supplies can be powered up in any order, it is recommended to power them up simultaneously.

The TE0808 module equipped with the Xilinx Zynq UltraScale+ MPSoC delivers a heterogeneous multi-processing system with integrated programmable logic and independently operable elements and is designed to meet embedded system power management requirement by advanced power management features. This features allow to offset the power and heat constraints against overall performance and operational efficiency.

This features allowing highly flexible power management are achieved by establishing Power Domains for power isolation. The Zynq UltraScale+ MPSoC has multiple power domains, whereby each power domain requires its own particular external DC-DC converters.

The Processing System contains three Power Domains:

- Battery Power Domain (BBRAM and RTC)
- Full-Power Domain (Application Processing Unit, DDR Controller, Graphics Processing Unit and High-Speed Connectivity)
- Low-Power Domain (Real-Time Processing Unit, Security and Configuration Unit, Platform Management Unit, System Monitor and General Connectivity)

The fourth Power Domain is for the Programmable Logic (PL). If individual Power Domain control is not required, power rails can be shared between domains.

On the TE0808-04 SoM, following power domains can be powered up individually with power rails available on the B2B connectors:

<sup>7</sup> <https://wiki.trenz-electronic.de/display/PD/FAQ>



- Full-power domain, supplied by power rail **DCDCIN**
- Low-power domain, supplied by power rail **LP\_DCDC**
- Programmable logic, supplied by power rail **PL\_DCIN**
- Battery power domain, supplied by power rail **PS\_BATT**

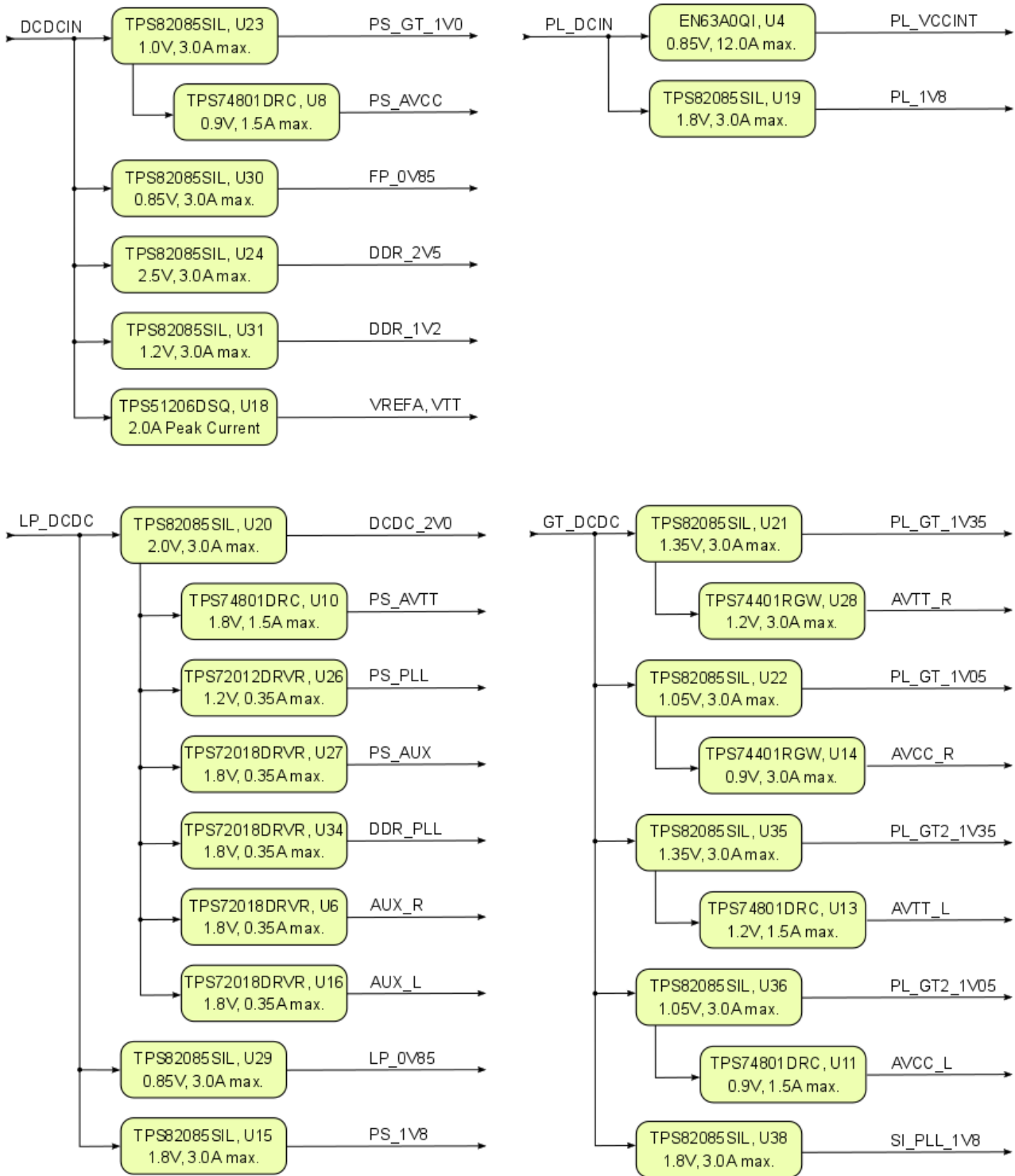
Each power domain has its own enable and power good signals. The power rail **GT\_DCDC** is needed to generate the voltages for the Multi Gigabit Transceiver units of the Zynq UltraScale+ MPSoC.

## 8.2 Power Distribution Dependencies

---

The power rails DCDCIN, LP\_DCDC, PL\_DCIN, PS\_BATT have to be powered up on the assigned pins of the B2B connectors as listed on the section "Power Rails". Except 'PS\_BATT' (see section "Recommended Operation Conditions"), all power-rails can be powered from 3.3V power sources (also share the same source, if power domain control is not required).

There are following dependencies how the initial voltages of the power rails on the B2B connectors are distributed to the on-board DC-DC converters, which power up further DC-DC converters and the particular on-board voltages:



**Figure 3:** Power Distribution Diagram.



Current rating of Samtec Razor Beam LP Terminal/Socket Strip ST5/SS5 B2B connectors is 1.5 A per pin (1 pin powered per row).

## 8.3 Power-On Sequence Diagram

---

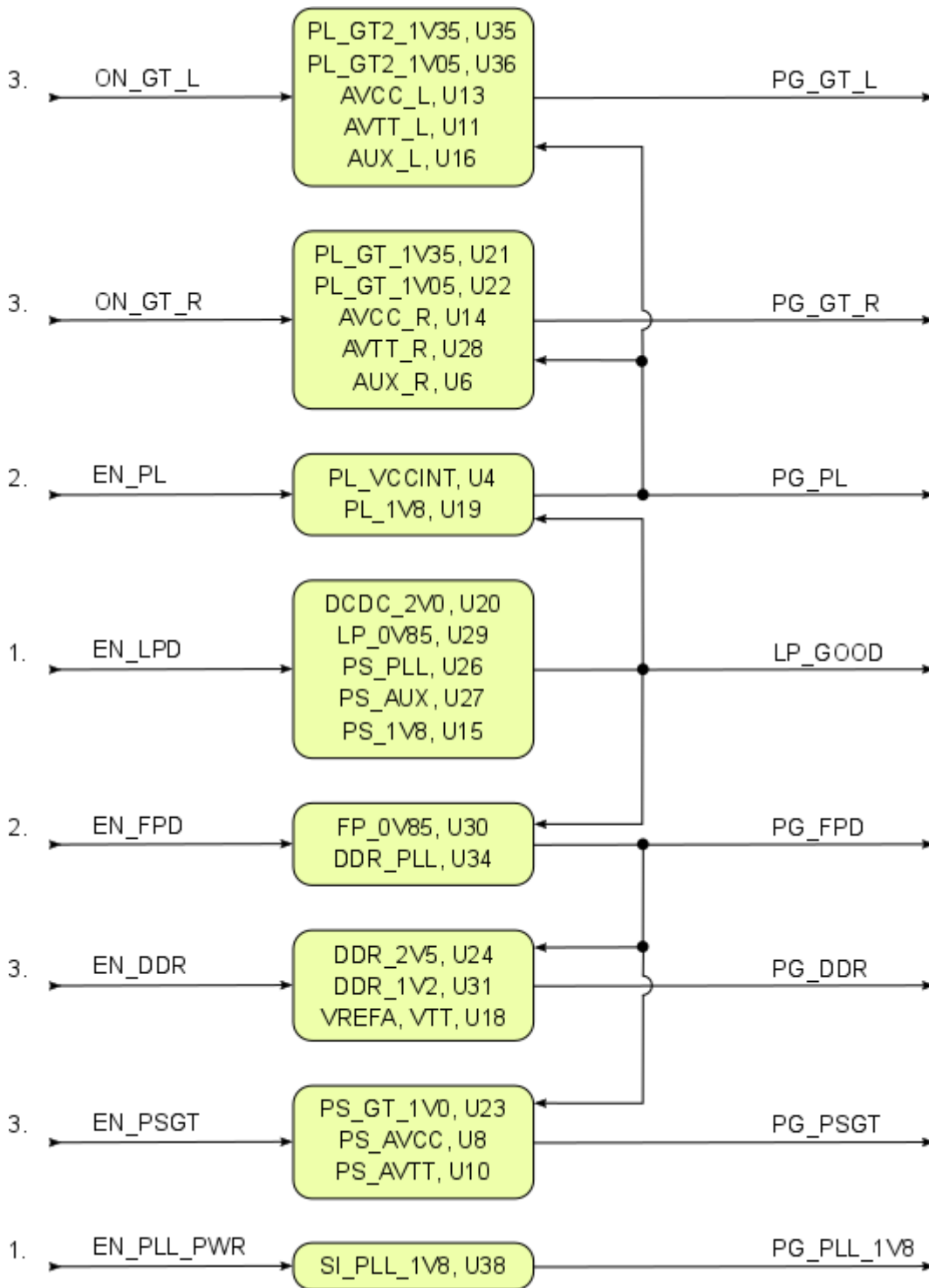
The TE0808 SoM meets the recommended criteria to power up the Xilinx Zynq UltraScale+ MPSoC properly by keeping a specific sequence of enabling the on-board DC-DC converters dedicated to the particular Power Domains and powering up the on-board voltages.

The on-board voltages of the TE0808 SoM will be powered-up in order of a determined sequence by activating the above-mentioned power rails and the Enable-Signals of the DC-DC converters. The on-board voltages will be powered up at three steps.

1. Low-Power Domain (LPD) and on-board Si5345A programmable clock generator supply voltage
2. Programmable Logic (PL) and Full-Power Domain (FPD)
3. GTH, PS GTR transceiver and DDR memory

Hence, those three power instances will be powered up consecutively and the Power-Good-Signals of the previous instance has to be asserted.

Following diagram describes the sequence of enabling the three power instances utilizing the DC-DC converter control signals (Enable, Power-Good), which will power-up in descending order as listed in the blocks of the diagram.



**Figure 4:** Power-On Sequence Utilizing DC-DC Converter Control Signals.

## 8.4 Operation Conditions of the DC-DC Converter Control Signals

The control signals have to be asserted on the B2B connector J2, whereby some of the Power-Good signals need external pull-up resistors.

Enabl e- Signal	B2B Connec tor Pin	Max. Volutag e	Note		Power- Good- Signal	B2B Connec tor Pin	Pull-up Resistor	Note
EN_LP D	J2-108	6V	TPS82085 SIL data sheet		LP_GO OD	J2-106	4K7, pulled up to LP_DCDC	-
EN_FP D	J2-102	DCDCI N	NC7S08P 5X data sheet		PG_FPD	J2-110	4K7, pulled up to DCDCIN	-
EN_PL	J2-101	PL_DC IN	left floating for logic high (drive to GND for logic low)		PG_PL	J2-104	4K7, pulled up to PL_DCIN	TPS8208 5SIL / NC7S08 P5X data sheet
EN_DD R	J2-112	DCDCI N	NC7S08P 5X data sheet		PG_DD R	J2-114	4K7, pulled up to DCDCIN	-
EN_PS GT	J2-84	DCDCI N	NC7S08P 5X data sheet		PG_PSG T	J2-82	External pull-up needed (max. 5.5V), max. sink current 1 mA	TPS7480 1 data sheet
EN_GT _R	J2-95	GT_DC DC	NC7S08P 5X data sheet		PG_GT_ R	J2-91	External pull-up needed (max. 5.5V), max. sink current 1 mA	TPS7440 1 data sheet

EN_GT_L	J2-79	GT_DC DC	NC7S08P 5X data sheet		PG_GT_L	J2-97	External pull-up needed (max. 5.5V), max. sink current 1 mA	TPS7480 1 data sheet
EN_PL_L_PWR	J2-77	6V	TPS82085 SIL data sheet		PG_PLL_1V8	J2-80	External pull-up needed (max. 5.5V), max. sink current 1 mA	TPS8208 5SIL data sheet

**Table 16:** Recommended operation conditions of DC-DC converter control signals.

⚠ To avoid any damage to the MPSoC module, check for stabilized on-board voltages in steady state before powering up the MPSoC's I/O bank voltages VCCOx. All I/Os should be tri-stated during power-on sequence.

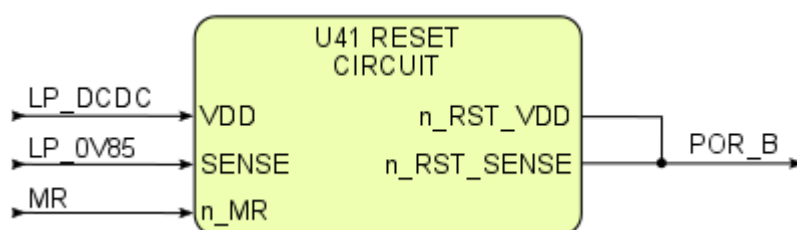
Core voltages and main supply voltages have to reach stable state and their "Power Good"-signals have to be asserted before other voltages like bank's I/O voltages (VCCOx) can be powered up.

It is important that all PS and PL I/Os are tri-stated at power-on until the "Power Good"-signals are high, meaning that all on-module voltages have become stable and module is properly powered up.

See Xilinx datasheet [DS925<sup>8</sup>](#) for additional information. User should also check related base board documentation when intending base board design for TE0808 SoM.

## 8.5 Voltage Monitor Circuit

The voltages LP\_DCDC and LP\_0V85 are monitored by the voltage monitor circuit U41, which generates the POR\_B reset signal at power-on. A manual reset is also possible by driving the MR-pin (J2-83) to GND. Leave this pin unconnected or connect to VDD (LP\_DCDC) when unused.



**Figure 5:** Voltage monitor circuit

<sup>8</sup> [https://www.xilinx.com/support/documentation/data\\_sheets/ds925-zynq-ultrascale-plus.pdf](https://www.xilinx.com/support/documentation/data_sheets/ds925-zynq-ultrascale-plus.pdf)

## 8.6 Power Rails

Power Rail Name	B2B J1 Pins	B2B J2 Pins	B2B J3 Pins	Directions	Note
PL_DCIN	151, 153, 155, 157, 159	-	-	Input	-
DCDCIN	-	154, 156, 158, 160, 153, 155, 157, 159	-	Input	-
LP_DCDC	-	138, 140, 142, 144	-	Input	-
PS_BATT	-	125	-	Input	-
GT_DCDC	-	-	157, 158, 159, 160	Input	-
PLL_3V3	-	-	152	Input	U5 (programmable PLL) 3.3V nominal input
SI_PLL_1V8	-	-	151	Output	Internal voltage level 1.8V nominal output
PS_1V8	-	99	147, 148	Output	Internal voltage level 1.8V nominal output
PL_1V8	91, 121	-	-	Output	Internal voltage level 1.8V nominal output

Power Rail Name	B2B J1 Pins	B2B J2 Pins	B2B J3 Pins	Directions	Note
DDR_1V2	-	135	-	Output	Internal voltage level 1.2V nominal output

**Table 17:** Power rails of the MPSoC module on accessible connectors.

## 8.7 Bank Voltages

Bank	Type	Schematic Name / B2B Connector Pins	Voltage	Reference Input Voltage	Voltage Range
47	HD	VCCO47, pins J3-43, J3-44	user	-	max. 3.3V
48	HD	VCCO48, pins J3-15, J3-16	user	-	max. 3.3V
64	HP	VCCO64, J4-58, J4-106	user	VREF_64, pin J4-88	max. 1.8V
65	HP	VCCO65, J4-69, J4-105	user	VREF_65, pin J4-15	max. 1.8V
66	HP	VCCO66, J1-90, J1-120	user	VREF_66, pin J1-108	max. 1.8V
500	MIO	PS_1V8	1.8V	-	-
501	MIO	PS_1V8	1.8V	-	-
502	MIO	PS_1V8	1.8V	-	-
503	CONFIG	PS_1V8	1.8V	-	-

**Table 18:** Range of MPSoC module's bank voltages.



## 9 B2B connectors

5.2 x 7.6 cm UltraSoM+ modules use four Samtec Razor Beam LP Terminal Strip ([ST5<sup>9</sup>](#)) on the bottom side.

- 4x REF-192552-02 (160-pins)
  - ST5 Mates with SS5

5.2 x 7.6 cm UltraSoM+ carrier use four Samtec Razor Beam LP Socket Strip ([SS5<sup>10</sup>](#)) on the top side.

- 4x REF192552-01 (160-pins)
  - SS5 Mates with ST5

### 9.1 Features

- Board-to-Board Connector 160-pins, 80 contacts per row
- Ultrafine .0197" (0.50 mm) pitch
- Narrow body design saves space on board
- Lead style -03.5
- Samtec 28+ Gbps Solution
- Mates with: ST5
- Insulator Material: Liquid Crystal Polymer, schwarz
- Operating Temperature Range: -55°C bis +125°C
- Lead-Free Solderable: Yes
- RoHS Konform: Yes

### 9.2 Connector Stacking height

When using the standard type on baseboard and module, the mating height is 5 mm.

Other mating heights are possible by using connectors with a different height:

Order number	REF number	Samtec Number	Type	Contribution to stacking height	Comment
27219	REF192552-01	SS5-80-3.50-L-D-K-TR	Baseboard connector	3.5mm	Standard connector used on carrier
27018	REF-189545-02	SS5-80-3.00-L-D-K-TR	Baseboard connector	3 mm	Assembly option on request

<sup>9</sup> <https://www.samtec.com/products/st5>

<sup>10</sup> <https://www.samtec.com/products/st5>

Order number	REF number	Samtec Number	Type	Contribution to stacking height	Comment
27220	REF-19255-2-02	ST5-80-1.50-L-D-P-TR	Module connector	1.5 mm	Standard connector used on modules
27017	REF-18954-5-01	ST5-80-1.00-L-D-P-TR	Module connector	1 mm	Assembly option on request

**Table 1: Connectors.**

The module can be manufactured using other connectors upon request.

### 9.3 Current Rating

Current rating of Samtec Razor Beam LP Terminal/Socket Strip ST5/SS5 B2B connectors is 1.5 A per pin (1 pin powered per row).

### 9.4 Connector Speed Ratings

The connector speed rating depends on the stacking height:

Stacking height	Speed rating
4 mm, Single-Ended	13GHz/26Gbps
4 mm, Differential	13.5GHz/27Gbps
5 mm, Single-Ended	13.5GHz/27Gbps
5 mm, Differential	20GHz/40 Gbps

**Table 2: Speed rating.**

The SS5/ST5 series board-to-board spacing is currently available in 4mm (0.157"), 4.5mm (0.177") and 5mm (0.197") stack heights.

The data in the reports is applicable only to the 4mm and 5mm board-to-board mated connector stack height.

## 10 Variants Currently In Production

Module Variant	Zynq UltraScale+ MPSoC	DDR4	Junction Temperature	Operating Temperature Range
TE0808-04-09EG-1EA	XCZU9EG-1FFVC90 0E	2GB	0°C - 100°C	Extended Temperature Range
TE0808-04-09EG-1EB	XCZU9EG-1FFVC90 0E	4GB	0°C - 100°C	Extended Temperature Range
TE0808-04-09EG-1ED <sup>(1)</sup>	XCZU9EG-1FFVC90 0E	4GB	0°C - 100°C	Extended Temperature Range
TE0808-04-09EG-2IB	XCZU9EG-2FFVC90 0I	4GB	-40°C - 100°C	Industrial Temperature Range

(1) Note: Lower B2B connector profile, check distance bolt of between module and carrier

**Table 19:** Differences between variants of Module TE0808-04

## 11 Technical Specifications

### 11.1 Absolute Maximum Ratings

Parameter	Min	Max	Unit	Notes / Reference Document
PL_DCIN	-0.3	4	V	TPS82085SIL / EN63A0QI data sheet / Limit is LP_DCDC over EN/PG
DCDCIN	-0.3	4	V	TPS82085SIL / TPS51206 data sheet / Limit is LP_DCDC over EN/PG
LP_DCDC	-0.3	4	V	TPS3106K33DBVR data sheet
GT_DCDC	-0.3	4	V	TPS82085SIL data sheet / Limit is LP_DCDC over EN/PG
PS_BATT	-0.5	2	V	Xilinx DS925 data sheet
PLL_3V3	-0.5	3.8	V	Si5345/44/42 data sheet
VCCO for HD I/O banks	-0.5	3.4	V	Xilinx DS925 data sheet
VCCO for HP I/O banks	-0.5	2	V	Xilinx DS925 data sheet
VREF	-0.5	2	V	Xilinx DS925 data sheet
I/O input voltage for HD I/O banks	-0.55	VCCO + 0.55	V	Xilinx DS925 data sheet
I/O input voltage for HP I/O banks	-0.55	VCCO + 0.55	V	Xilinx DS925 data sheet
PS I/O input voltage (MIO pins)	-0.5	VCCO_PSIO + 0.55	V	Xilinx DS925 data sheet, VCCO_PSIO 1.8V nominally


Parameter	Min	Max	Unit	Notes / Reference Document
Receiver (RXP/RXN) and transmitter (TXP/TXN) absolute input voltage	-0.5	1.2	V	Xilinx DS925 data sheet
Voltage on input pins of NC7S08P5X 2-Input AND Gate	-0.5	VCC + 0.5	V	NC7S08P5X data sheet, see schematic for VCC
Voltage on input pins (nMR) of TPS3106K33DBVR Voltage Monitor, U41	-0.3	VDD + 0.3	V	TPS3106 data sheet, VDD = LP_DCDC
"Enable"-signals on TPS82085SIL (EN_PLL_PWR, EN_LPD)	-0.3	7	V	TPS82085SIL data sheet
Storage temperature (ambient)	-40	100	°C	ROHM Semiconductor SML-P11 Series data sheet

 Assembly variants for higher storage temperature range are available on request.

## 11.2 Recommended Operating Conditions

Parameter	Min	Max	Unit	Notes / Reference Document
PL_DCIN	3.3	3.6	V	EN63A0QI / TPS82085SIL data sheet / Limit is LP_DCDC over EN/PG
DCDCIN	3.3	3.6	V	TPS82085SIL / TPS51206PSQ data sheet / Limit is LP_DCDC over EN/PG

Parameter	Min	Max	Unit	Notes / Reference Document
LP_DCDC	3.3	3.6	V	TPS3106K33DBVR data sheet
GT_DCDC	3.3	3.6	V	TPS82085SIL data sheet/ Limit is LP_DCDC over EN/ PG
PS_BATT	1.2	1.5	V	Xilinx DS925 data sheet
PLL_3V3	3.14	3.47	V	Si5345/44/42 data sheet 3.3V typical
VCCO for HD I/O banks	1.14	3.4	V	Xilinx DS925 data sheet
VCCO for HP I/O banks	0.95	1.9	V	Xilinx DS925 data sheet
I/O input voltage for HD I/O banks.	-0.2	VCCO + 0.2	V	Xilinx DS925 data sheet
I/O input voltage for HP I/O banks	-0.2	VCCO + 0.2	V	Xilinx DS925 data sheet
PS I/O input voltage (MIO pins)	-0.2	VCCO_PSIO + 0.2	V	Xilinx DS925 data sheet, VCCO_PSIO 1.8V nominally
Voltage on input pins of NC7S08P5X 2-Input AND Gate	0	VCC	V	NC7S08P5X data sheet, see schematic for VCC
Voltage on input pin 'MR' of TPS3106K33DBVR Voltage Monitor, U41	0	VDD	V	TPS3106 data sheet, VDD = LP_DCDC

 Please check Xilinx datasheet [DS925<sup>11</sup>](https://www.xilinx.com/support/documentation/data_sheets/ds925-zynq-ultrascale-plus.pdf) for complete list of absolute maximum and recommended operating ratings.

<sup>11</sup> [https://www.xilinx.com/support/documentation/data\\_sheets/ds925-zynq-ultrascale-plus.pdf](https://www.xilinx.com/support/documentation/data_sheets/ds925-zynq-ultrascale-plus.pdf)

## 11.3 Operating Temperature Ranges

---

Commercial grade: 0°C to +70°C.

Industrial grade: -40°C to +85°C.

Extended grade: 0°C to +85°C.

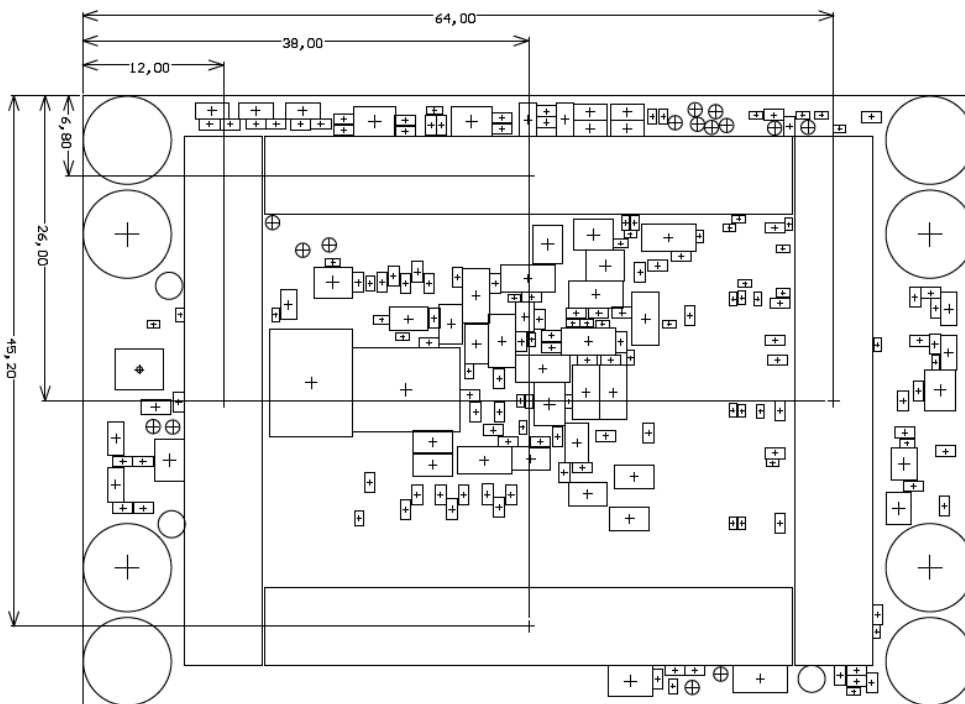
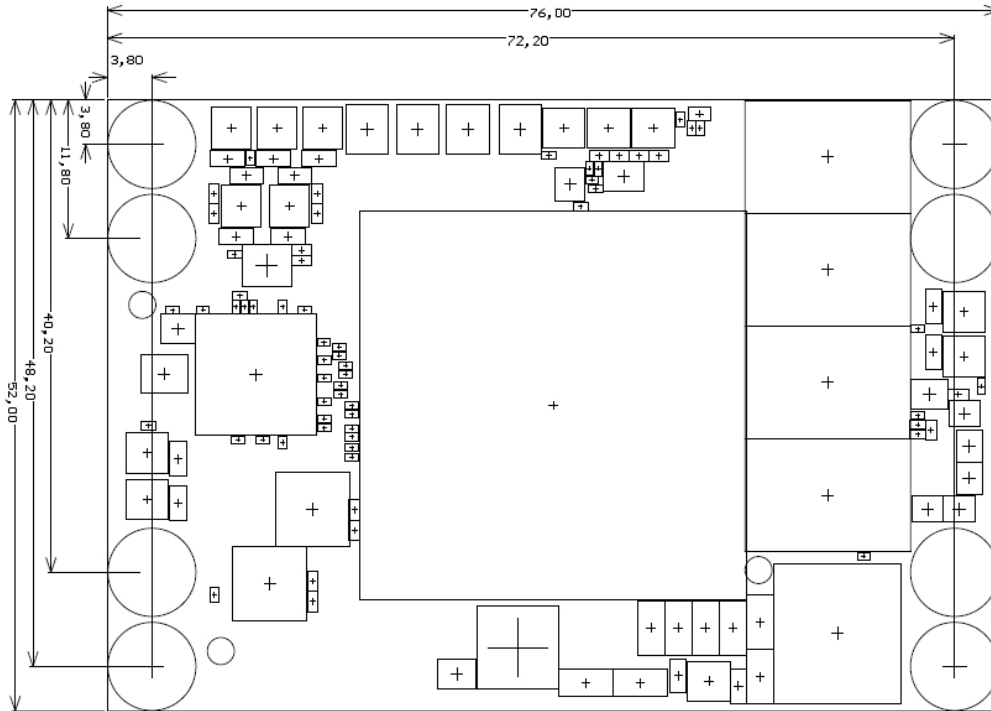
The module operating temperature range depends also on customer design and cooling solution. Please contact us for options.

## 11.4 Physical Dimensions

---

- Module size: 52 mm × 76 mm. Please download the assembly diagram for exact numbers
- Mating height with standard connectors: 5mm
- PCB thickness: 1.6mm
- Highest part on PCB: approx. 3mm. Please download the step model for exact numbers

All dimensions are given in millimeters.



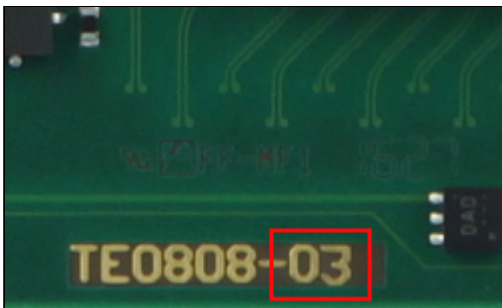


## 12 Revision History

### 12.1 Hardware Revision History

Date	Revision	Notes	Link to PCN	Documentation Link
-	04	First production silicon	-	<a href="#">TE0808-04</a> <sup>12</sup>
-	03	Second ES production release	-	<a href="#">TE0808-03</a> <sup>13</sup>
2016-03-09	02	First ES production release	-	<a href="#">TE0808-02</a> <sup>14</sup>
-	01	Prototypes	-	-

Hardware revision number is written on the PCB board together with the module model number separated by the dash.



### 12.2 Document Change History

Date	Revision	Contributors	Description
 2022-09-13	<a href="#">v.41</a> (see page 6)	<a href="#">Vadim Yunitski</a> <sup>15</sup>	<ul style="list-style-type: none"> <li>Updated PG_PL pull-up resistor requirements</li> </ul>
2021-09-07	V.39	John Hartfiel	<ul style="list-style-type: none"> <li>Correction Power section</li> </ul>

<sup>12</sup> [https://shop.trenz-electronic.de/de/Download/?path=Trenz\\_Electronic/TE0808/REV04](https://shop.trenz-electronic.de/de/Download/?path=Trenz_Electronic/TE0808/REV04)

<sup>13</sup> [https://shop.trenz-electronic.de/de/Download/?path=Trenz\\_Electronic/TE0808/REV03](https://shop.trenz-electronic.de/de/Download/?path=Trenz_Electronic/TE0808/REV03)

<sup>14</sup> [https://shop.trenz-electronic.de/de/Download/?path=Trenz\\_Electronic/TE0808/REV02](https://shop.trenz-electronic.de/de/Download/?path=Trenz_Electronic/TE0808/REV02)

<sup>15</sup> <https://wiki.trenz-electronic.de/display/~v.yunitski>

Date	Revision	Contributors	Description
2021-05-17	v.37	John Hartfiel	<ul style="list-style-type: none"> <li>• typo correction in DDR section</li> </ul>
2021-03-11	v.35	Antti Lukats	<ul style="list-style-type: none"> <li>• typo correction in PLL_RST</li> <li>• add pin on power rails table</li> <li>• correction MGT Lane assignment</li> <li>• correction MGT CLK assignment</li> </ul>
2019-01-27	v.30	Martin Rohrmüller	<ul style="list-style-type: none"> <li>• Corrected clock connection to J2</li> </ul>
2018-11-20	v.29	John Hartfiel	<ul style="list-style-type: none"> <li>• Notes for power supply</li> </ul>
2018-08-27	v.27	John Hartfiel	<ul style="list-style-type: none"> <li>• typo correction SI5345 I2C address</li> </ul>
2028-06-28	v.26	John Hartfiel	<ul style="list-style-type: none"> <li>• typo SI5348 B2B IOs + link correction</li> </ul>
2017-11-13	v.24	Ali Naseri	<ul style="list-style-type: none"> <li>• updated B2B connector max. current rating per pin</li> </ul>
2017-11-13	v.22	John Hartfiel	<ul style="list-style-type: none"> <li>• rework B2B section</li> </ul>
2017-10-20	v.21	Ali Naseri	<ul style="list-style-type: none"> <li>• Update links (pdf, documentation) to revision 4</li> <li>• ES silicon note removed</li> </ul>
2017-08-28	v.15	John Hartfiel	<ul style="list-style-type: none"> <li>• Update section: Variants Currently In Production</li> </ul>
2017-08-28	v.14	Jan Kumann	<ul style="list-style-type: none"> <li>• Block diagram changed.</li> <li>• SPI flash section fixed.</li> <li>• Few smaller improvements.</li> </ul>
2017-08-15	v.12	Vitali Tsiukala	Changed signals count in the B2B connectors table
2017-08-15	v.11	John Hartfiel, Ali Naseri	<ul style="list-style-type: none"> <li>• PCB REV04 Initial release</li> <li>• update boot mode section</li> </ul>
2017-02-06	v.1	Jan Kumann	Initial document

## 13 Disclaimer

---

### 13.1 Data Privacy

---

Please also note our data protection declaration at <https://www.trenz-electronic.de/en/Data-protection-Privacy>

### 13.2 Document Warranty

---

The material contained in this document is provided “as is” and is subject to being changed at any time without notice. Trenz Electronic does not warrant the accuracy and completeness of the materials in this document. Further, to the maximum extent permitted by applicable law, Trenz Electronic disclaims all warranties, either express or implied, with regard to this document and any information contained herein, including but not limited to the implied warranties of merchantability, fitness for a particular purpose or non infringement of intellectual property. Trenz Electronic shall not be liable for errors or for incidental or consequential damages in connection with the furnishing, use, or performance of this document or of any information contained herein.

### 13.3 Limitation of Liability

---

In no event will Trenz Electronic, its suppliers, or other third parties mentioned in this document be liable for any damages whatsoever (including, without limitation, those resulting from lost profits, lost data or business interruption) arising out of the use, inability to use, or the results of use of this document, any documents linked to this document, or the materials or information contained at any or all such documents. If your use of the materials or information from this document results in the need for servicing, repair or correction of equipment or data, you assume all costs thereof.

### 13.4 Copyright Notice

---

No part of this manual may be reproduced in any form or by any means (including electronic storage and retrieval or translation into a foreign language) without prior agreement and written consent from Trenz Electronic.

### 13.5 Technology Licenses

---

The hardware / firmware / software described in this document are furnished under a license and may be used / modified / copied only in accordance with the terms of such license.

### 13.6 Environmental Protection

---

To confront directly with the responsibility toward the environment, the global community and eventually also oneself. Such a resolution should be integral part not only of everybody's life. Also enterprises shall be conscious of their social responsibility and contribute to the preservation of our common living space. That is why Trenz Electronic invests in the protection of our Environment.

### 13.7 REACH, RoHS and WEEE

---

#### **REACH**