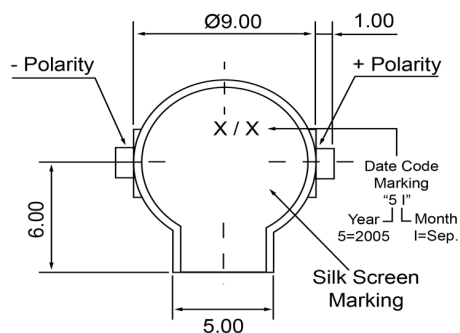
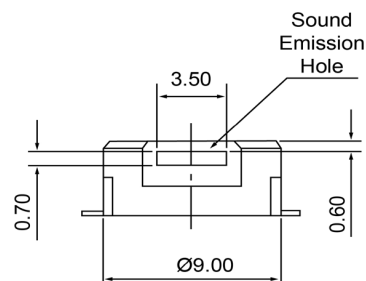


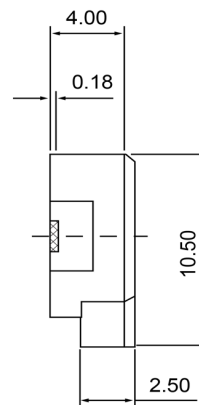
TOP VIEW



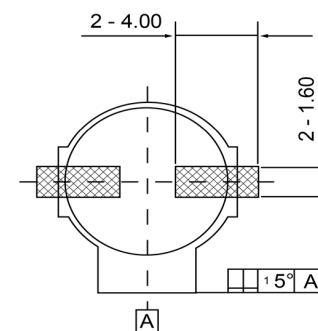
SIDE VIEW (1)




SIDE VIEW (2)



BOTTOM VIEW



Specifications			Notes	Revision History						
Description	Value	Unit		Version	Description		Date	Approved		
Technology	Electro-Mechanical		1) All dimensions are in mm unless otherwise noted 2) All parts meet RoHS	1	Released from Engineering		10/21/2013	J.S		
Resonant Frequency	2,731	(Hz)								
Rated Voltage	3.6	(V)								
SPL @ 10cm	87	(dBA)								
Coil Resistance	16	(ohm)								
Mount Type	Surface Mount									
Voltage Range	2.5 ~ 4.5	(V)								
Max Rated Current	90	(mA)								
Housing Material	PA46									
Operating Temperature	-20 ~ +60	°C								
Storage Temperature	-20 ~ +60	°C								
Weight	0.7	(g)								
 DB UNLIMITED			Electro-Mechanical Transducer			TE093103-1				

Additional considerations can be found at www.dbunlimitedco.com/technical-articles.