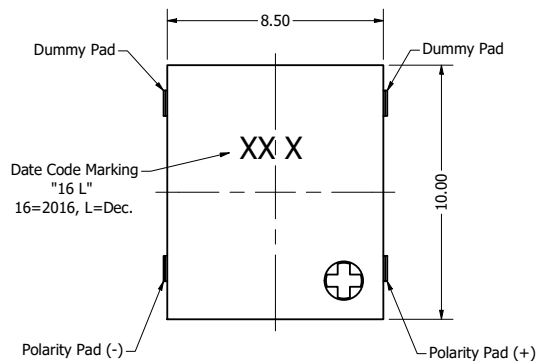
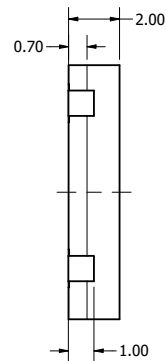


Part Number: TE102603-1	DRAWN CJ	12/9/2016
	CHECKED P.D.	12/9/2016
	APPROVED J.S.	12/9/2016
Description: Electro-Mechanical Transducer		
This document contains data proprietary to DB Unlimited. Any use or reproduction, in any form, without prior written permission of DB Unlimited is prohibited. All terms and conditions can be found at www.dbunlimitedco.com		

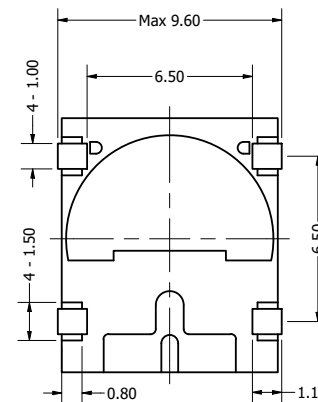
Top View



Side View



Bottom View



Items	Specifications	Conditions
Sound Pressure Level	88	dB (@ 10cm)
Resonant Frequency	2,670	Hz
Rated Voltage	3.6	V
Voltage Range	2.5 ~ 4.5	V
Coil Resistance	16	Ω
Max. Rated Current	100	mA
Storage Temperature	-40 ~ +85	°C
Operating Temperature	-30 ~ +70	°C
Connection Method	Surface Pads	
Mount Type	Surface Mount	
Housing Material	LCP	
Weight	0.38	g

REVISION HISTORY

REV	DESCRIPTION	DATE	APPROVED
	Released from Engineering	10/21/2013	J.S.
1	Updated to new template	12/9/2016	J.S.
2	Updated storage temp, voltage range	5/20/2019	C.E.

NOTES

- 1) All dimensions are in mm unless otherwise noted
- 2) All tolerances are ± 0.5 mm unless otherwise noted
- 3) All parts meet RoHS
- 4) Subject to change or redrawn without notice