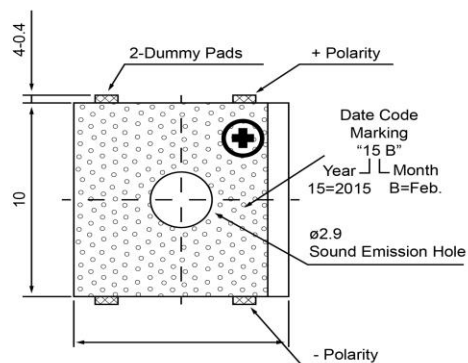
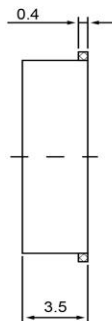


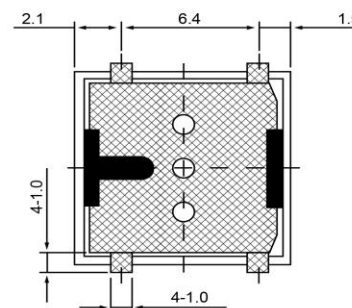
TOP VIEW



SIDE VIEW



BOTTOM VIEW



Specifications

Description	Value	Unit
Technology	Electro-Mechanical	
Resonant Frequency	2,830	(Hz)
Rated Voltage	3.6	(V)
SPL @ 10cm (minimum)	90	(dBA)
Coil Resistance	18 ± 5	(ohm)
Mount Type	Surface Mount	
Voltage Range	3.6 ~ 4.6	(V)
Max Rated Current	100	(mA)
Housing Material	LCP	
Operating Temperature	-20 ~ +70	°C
Storage Temperature	-40 ~ +85	°C
Weight	0.9	(g)

Notes

- 1) All dimensions are in mm unless otherwise noted
- 2) All parts meet RoHS



Revision History

Version	Description	Date	Approved		
1	Released from Engineering	4/6/2015	J.S.		
Drawn by	Date	Checked by	Date	Approved by	Date
A.B.	4/2/2015	C.E.	4/2/2015	J.S.	4/6/2015

Electro-Mechanical Transducer

TE102803-2

Additional considerations can be found at www.dbunlimitedco.com/technical-articles.