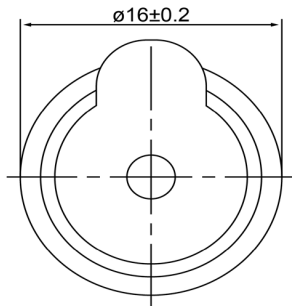
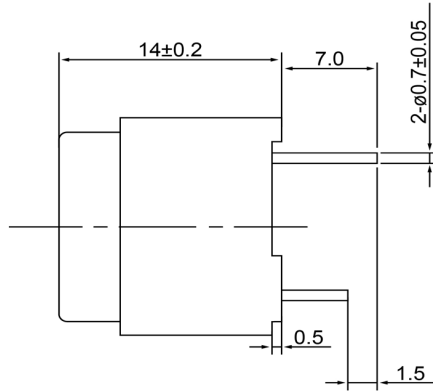


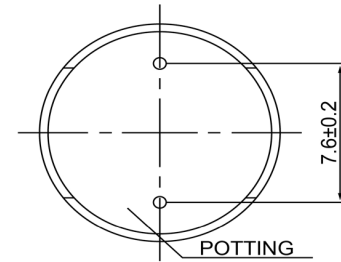
TOP VIEW





SIDE VIEW



BOTTOM VIEW



Specifications			Notes	Revision History							
Description	Value	Unit		Version	Description		Date	Approved			
Technology	Electro-Mechanical		1) All dimensions are in mm unless otherwise noted 2) All parts meet RoHS	1	Released from Engineering		10/21/2013	J.S			
Resonant Frequency	2,048	(Hz)									
Rated Voltage	1.5	(V)									
SPL @ 10cm	80	(dBA)									
Coil Resistance	27	(ohm)									
Mount Type	Thru-hole										
Voltage Range	1 ~ 3	(V)									
Max Rated Current	18	(mA)									
Housing Material	NORYL										
Operating Temperature	-30 ~ +70	°C									
Storage Temperature	-40 ~ +85	°C									
Weight	5	(g)									
 DB UNLIMITED			 DB UNLIMITED			Electro-Mechanical Transducer			TE162001-1		
						Drawn by A.B.	Date 10/21/2013	Checked by C.E.	Date 10/21/2013	Approved by J.S	Date 10/21/2013

Additional considerations can be found at www.dbunlimitedco.com/technical-articles.